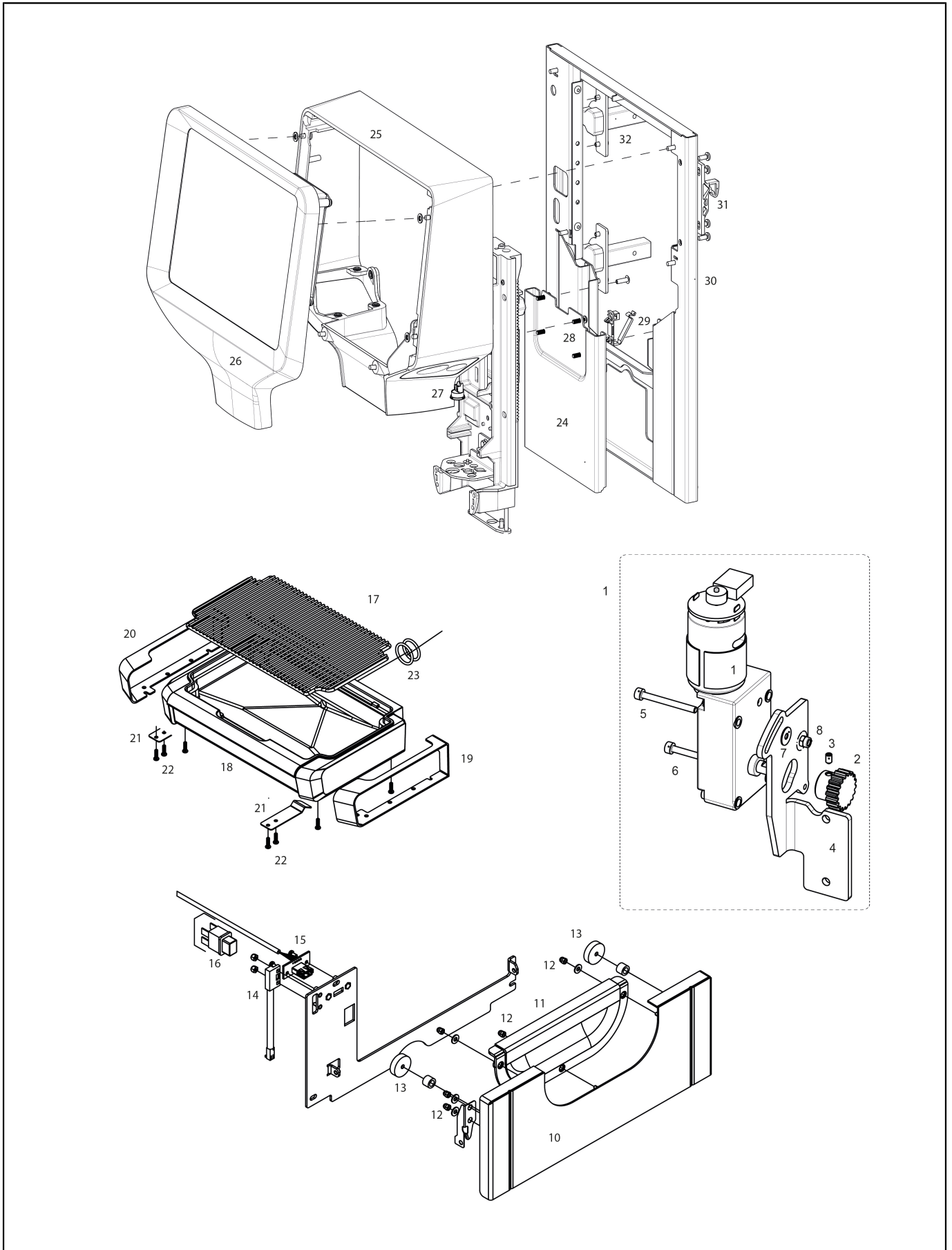


EGRO NEXT QUICK MILK

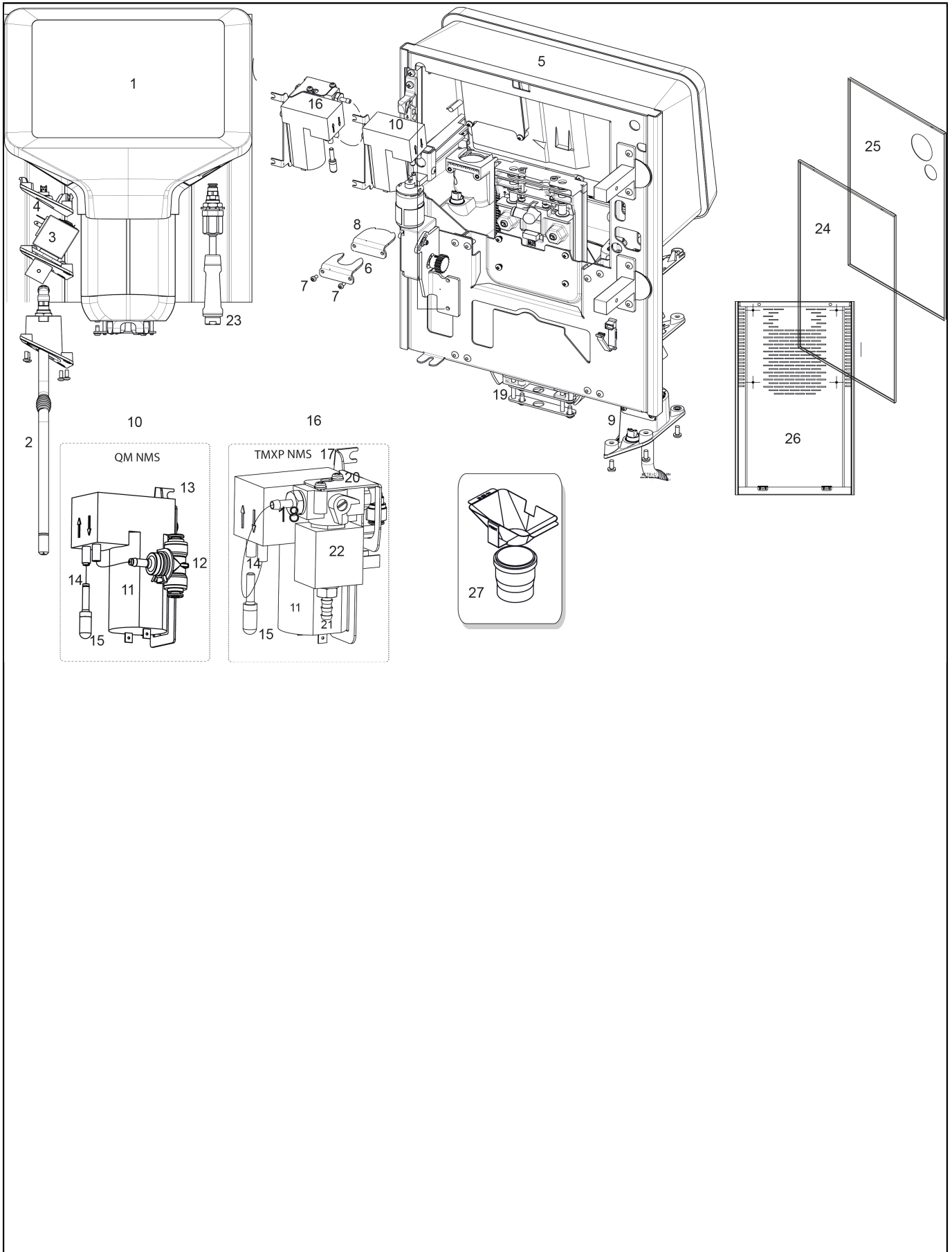


EGRO NEXT

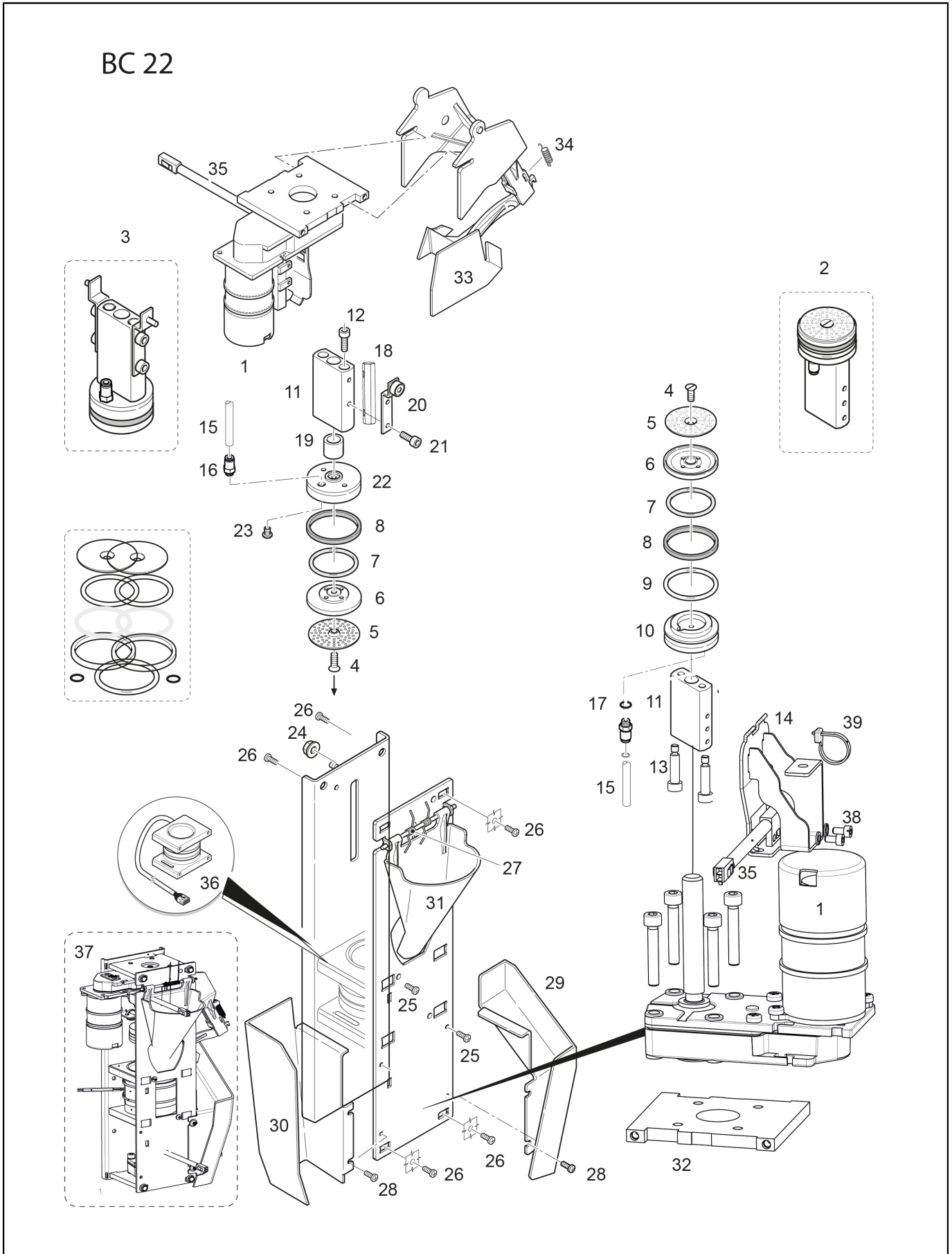
| | |
|---|----|
| Table 1001_51 - Next Drip tray..... | 4 |
| Table 1001_50 - NEXT Housing..... | 6 |
| Table 2002_50 - Coffee Brewing Group BC 22..... | 8 |
| Table 2001_02 - Water/Steam Lines from S/N 1207595..... | 10 |
| Table 2000_03 - Coffee line from S/N 12009304 (DHE boiler)..... | 12 |
| Table 2006 - Steam Boiler - steam valve block XP/QM..... | 16 |
| Table 2005 - Bean Hopper-Grinders..... | 20 |
| Table 2002_02 - Coffee Brewing Group (BC18) from S/N 12009467 | 22 |
| Table 2004_50 - Water Spout NEXT..... | 26 |
| Table 2003_50 - Clever Steam NEXT..... | 28 |
| Table 2007_02 - Water Inlet System from S/N 12007595..... | 30 |
| Table 3000_03 - Electronic Board 2 Gen..... | 34 |
| Table 3001 - CPU Board Connections..... | 36 |
| Table 6003_02 - MILK SYSTEM QM NMS..... | 38 |
| Table 4002 - ISTEAM NEXT..... | 40 |
| Alphanumeric index..... | 42 |



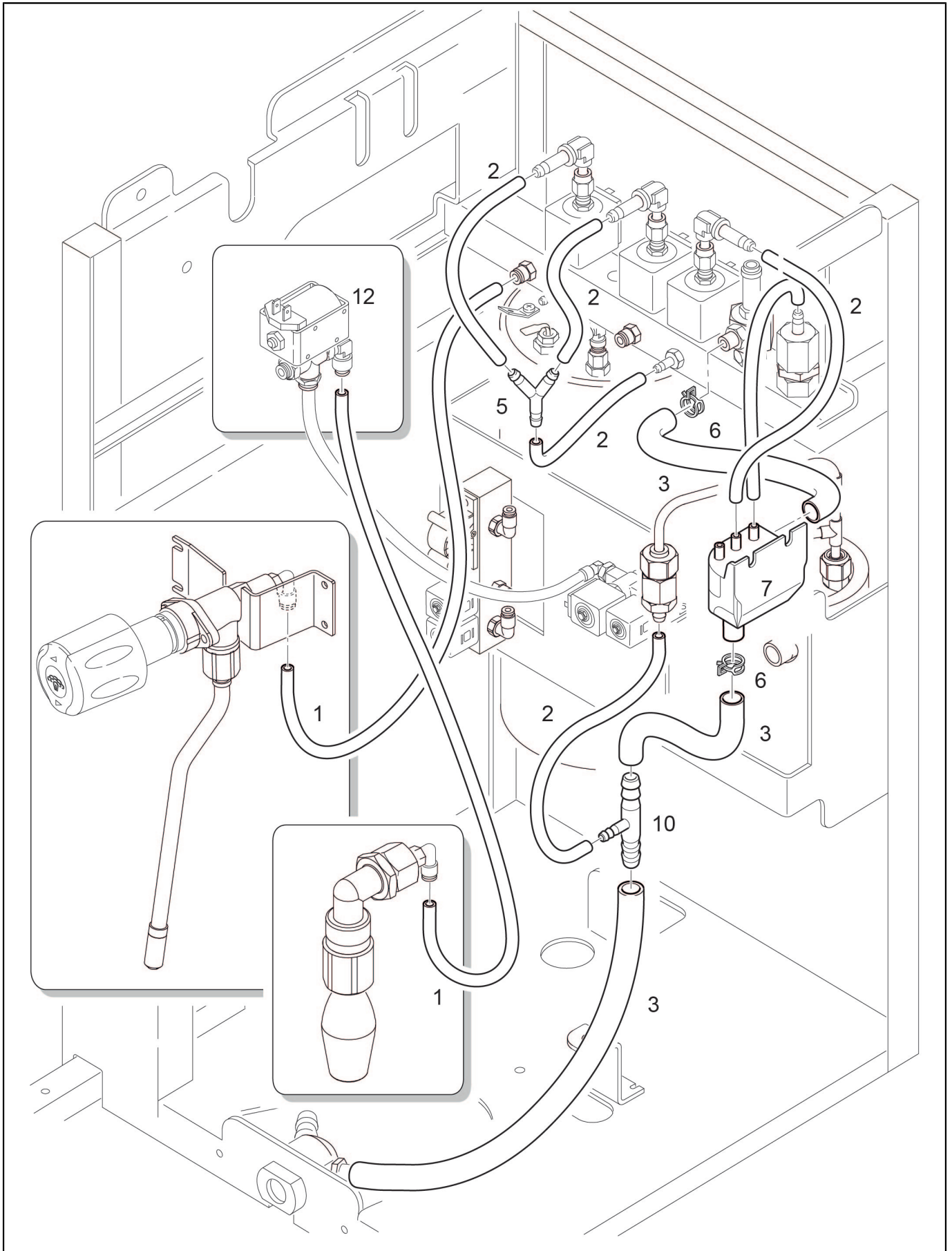
| POS. | CODE | DESCRIPTION | NOTES |
|------|--------------------------|--|-------|
| 1 | 10701435 | Motor As+ Assy. | |
| | 34010017 | Encoder Motor 24V As+ | |
| 2 | 36990096 | Gear Wheel As+ | |
| 3 | 37090405 | Screw M4X5 St Ei Fezn | |
| 4 | 32332186 | Bracket Motor As+ | |
| 5 | 37060330 | Screw M3 X 30 Tcei Inox | |
| 6 | 37090405 | Screw M4X5 St Ei Fezn | |
| 7 | 37410300 | Plane Washer D3.2X9 | |
| 8 | 00001514 | 6-Edge Nut Self Locking M3 | |
| 10 | 32332190A | Grounds Drawer Door Next | |
| 11 | 38120097 | Drawer Handle | |
| 12 | 37370301 | Nut M3 Inox | |
| 13 | 00017719 | Washer M4 Inox | |
| 14 | 00001514 | 6-Edge Nut Self Locking M3 | |
| 15 | 34070075 | Wiring Set J6 With Usb Connector (Touch Pad) | |
| 16 | 10701758 | Main Switch+Cover | |
| 17 | 10781313 | Cup Grid Next | |
| 18 | 10701609 | Drain Tray Next Logo Assy. | |
| 19 | 32332185 | Drain Tray Bracket Right Next | |
| 20 | 32332184 | Drip Tray Insert Left Next | |
| 21 | 39920015 | Clamp | |
| 22 | 00046069 | Crossed Raised Cheese Head Screw 4 X 14 Mm | |
| 23 | 36405002 | O-Ring Epdm 70Sh 3050 Gray | |
| 24 | 32551383A | Front Plate Next Black | |
| 25 | 38120340 | Front Panel Bracket Next | |
| 26 | 10701753 | Display Next Grey | |
| 27 | 10701434 | Led Cup Light | |
| 28 | 00046069 | Crossed Raised Cheese Head Screw 4 X 14 Mm | |
| 29 | 34200009 | Keyboard Flat Cable Holder C5-C7/16 | |
| 30 | 32551119A | LAMIERA PORTA FRONTALE NXT VERNIC. | |
| 31 | 69000424 | Hook Front Panel | |
| 32 | 37900741 | RIVETTO 4X12 A STRAPPO -INOX- | |
| | 69000319 | Hinge Salice Next | |



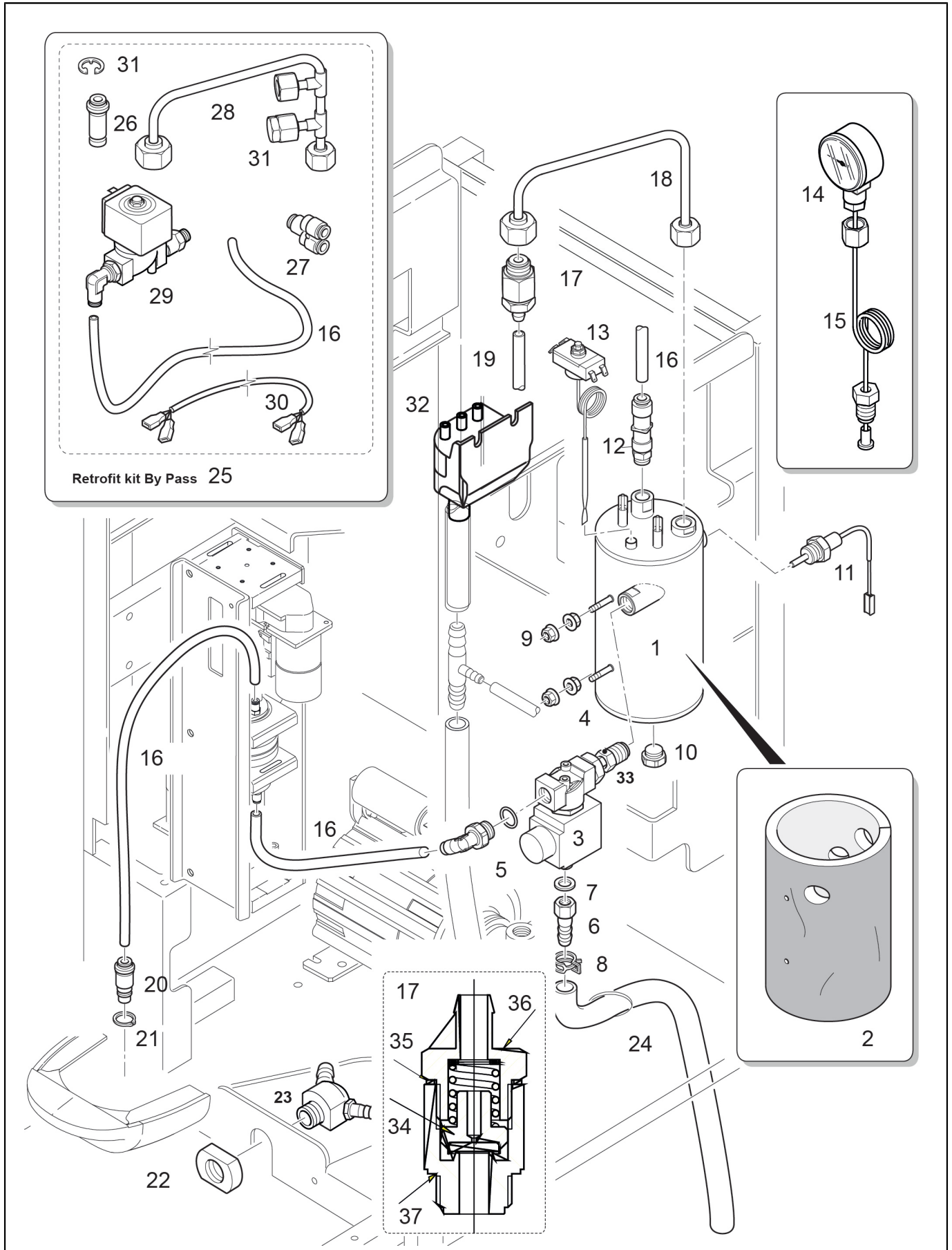
| POS. | CODE | DESCRIPTION | NOTES |
|------|-----------|--|-------|
| 1 | 10701753 | Display Next Grey | |
| 2 | 38120344 | Closing Cap Cool Touch Wand | |
| 3 | 34040194 | VALVOLA PINCH 24VDC D.7,2 | |
| 4 | 38120343 | Pinch Valve Cap | |
| 6 | 32331613 | Bracket Isteam-Tea Next | |
| 7 | 00001062 | Raised Cheese Head Screw M3 X 6 Mm | |
| 8 | 32331614 | Bracket No Tea Next | |
| 9 | 10701434 | Led Cup Light | |
| | 38120344 | Closing Cap Cool Touch Wand | |
| 10 | 10701466 | ASSIEME POMPA ARIA NXT QUICK MILK | |
| 11 | 34011038A | Air Pump 24Vdc/16 | |
| 12 | 69200128 | T Fast Connector With Check Valve | |
| 13 | 00001069 | Screw Tcb Cross Ph Inox M4X6 | |
| | 32332204 | Bracket Air Pump Next QM | |
| | 37430400 | Toothed Washer D4 | |
| 14 | 38120127 | Restriction Ring Little White | |
| 15 | 69150018 | Filter Airpump Nms | |
| 16 | 10701465 | Air Pump Next TM XP | |
| 17 | 00001069 | Screw Tcb Cross Ph Inox M4X6 | |
| | 32332203 | Bracket Air Pump Next Tm Xp | |
| | 37430400 | Toothed Washer D4 | |
| 18 | 00054938 | Threaded Male Nipple With Washerg 1/8 And Gasket | |
| | 27350014 | Copper Gasket 12.5X9.8X1.5 | |
| 19 | 10701680 | Retrofit Kit Next Automatic Spout | |
| | 69200147 | Elbow Connector 4 X G1/8 Ppsu Small | |
| 20 | 00001062 | Raised Cheese Head Screw M3 X 6 Mm | |
| | 37420300 | Elastic Washer 3 X 0,8 | |
| 21 | 23000277 | Flow Limiter D. 3Mm Connection M5 X 6 | |
| | 36404056 | O-Ring 3,68X1,78 Epdm 70Sh Nsf Teflon 2015 | |
| 22 | 34040158 | Valve 3/2 24V 5.5W | |
| 23 | 10701430 | Hot Water Wand | |
| 24 | 32551068A | Side Panel Next | |
| 25 | 32551069A | Side Panel Right Next+Powder Module | |
| | 32551117A | Side Panel Next With Holes | |
| 26 | 32551067A | Rear Panel Next | |
| 27 | 10701527 | Kit Direct Grounds Funnel 2018 | |



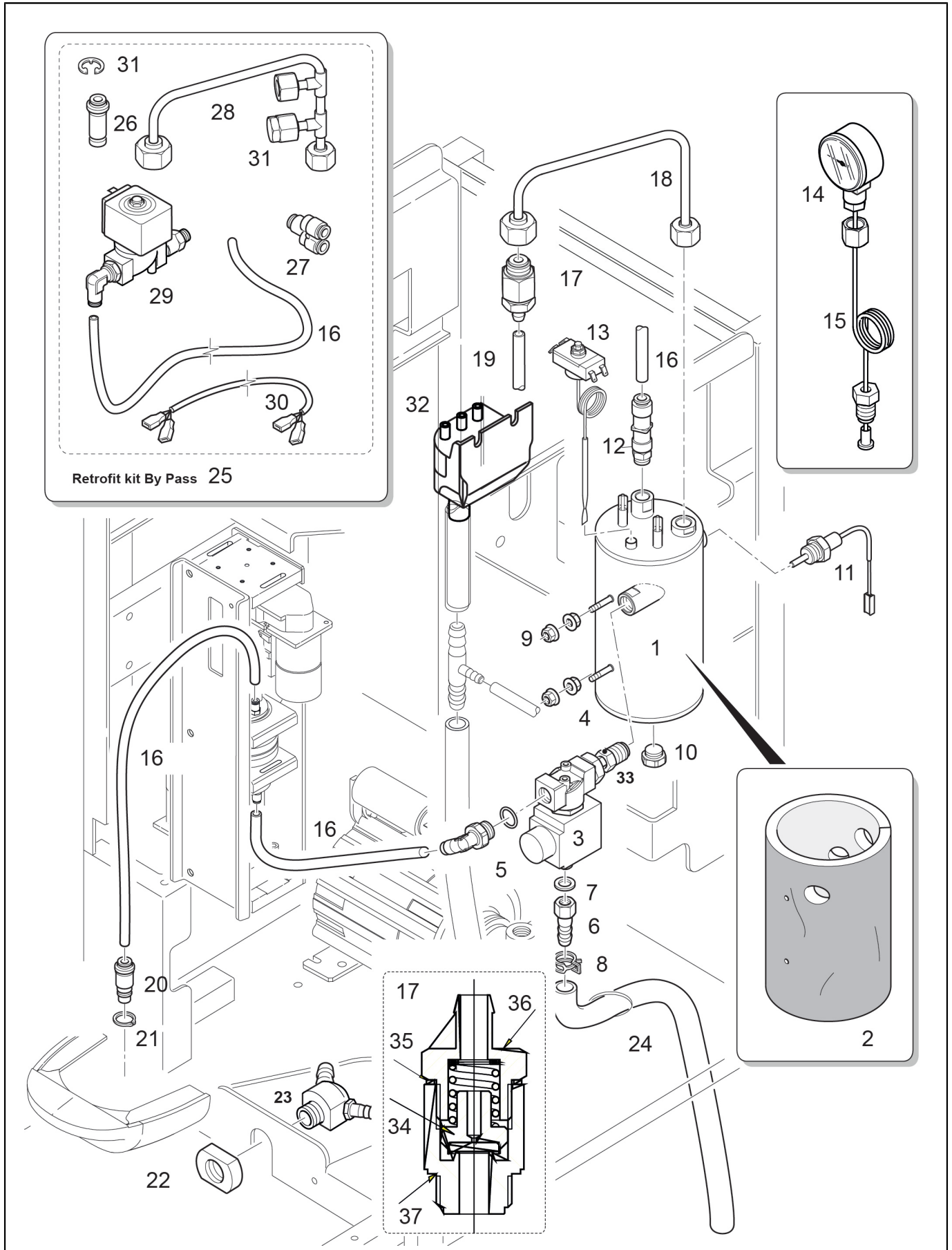
| POS. | CODE | DESCRIPTION | NOTES |
|------|----------|---|-------|
| 1 | 10701051 | Spindle Motor With Sensor | |
| 2 | 10701008 | Lower Piston Bc22 | |
| 3 | 10701007 | Upper Piston Assy. Bc22 | |
| 4 | 00001176 | Countersunk Screw M4X12 Mm | |
| 5 | 40200013 | Shower Brewing Unit Egro 46Mm | |
| 6 | 36930022 | Filter Holder 50 Peek | |
| 7 | 36404024 | Oring 37,69X3,53 80Sh | |
| 8 | 36201037 | Turcon Ring 39 X 50 X 4 | |
| 9 | 36404066 | Oring 42,86X3,53 80Sh | |
| 10 | 36930117 | Lower Piston Bc22 | |
| 11 | 10701050 | Piston Shaft With Magnet | |
| 12 | 00000930 | Hex Socket Head Screw M5 X 25 Mm | |
| 13 | 00048548 | Hex Socket Head Screw For Peek Pistonm4 X 15 Mm | |
| 14 | 32331498 | Piston Guide Reed | |
| 15 | 38228072 | Teflon Hose Fep D. 4,0 X 2,5 | |
| 16 | 69200133 | Straight Connector D.4 X M5 | |
| 17 | 00060283 | O-Ring 4 X 1,2 F | |
| 18 | 00045032 | Nut | |
| 19 | 30001048 | Spacer Piston Guide | |
| 20 | 32331443 | Bracket Upper Piston | |
| 21 | 00000928 | Hex Socket Head Screw M4 X10 Mm | |
| 22 | 36930118 | Upper Piston Bc22 | |
| 23 | 00048550 | Flow Limiter D. 0.7 | |
| 24 | 00001521 | Keps Nut M5 | |
| 25 | 37155011 | Screw Atf Pt 4X10 Tcb Ph Inox | |
| 26 | 37040409 | Screw M4 X 8 Te | |
| 27 | 00060858 | Transmission Assy. | |
| 28 | 00046844 | Screw M4 X 8 Mm | |
| 29 | 38120120 | Spindle Motor Protection | |
| 30 | 38120119 | Grounds Slider | |
| 31 | 38120115 | Coffee Powder Funnel | |
| 32 | 24300010 | Spindle Motor Plate | |
| 33 | 10700178 | Ejector Brewing Group | |
| 34 | 39110026 | Spring Ejector | |
| 35 | 34020125 | End Switch Spindle Motor | |
| 36 | 23000367 | Brewing Chamber Bc22 | |
| 37 | 10054003 | Brewing Group Bc22 | |
| 38 | 37060306 | Screw M3 X 6 Tcei | |
| | 37420300 | Elastic Washer 3 X 0,8 | |
| 39 | 34200071 | Fixing Cable Clamp | |
| 40 | 00000935 | Hex Socket Head Screw M5 X 30 Mm | |



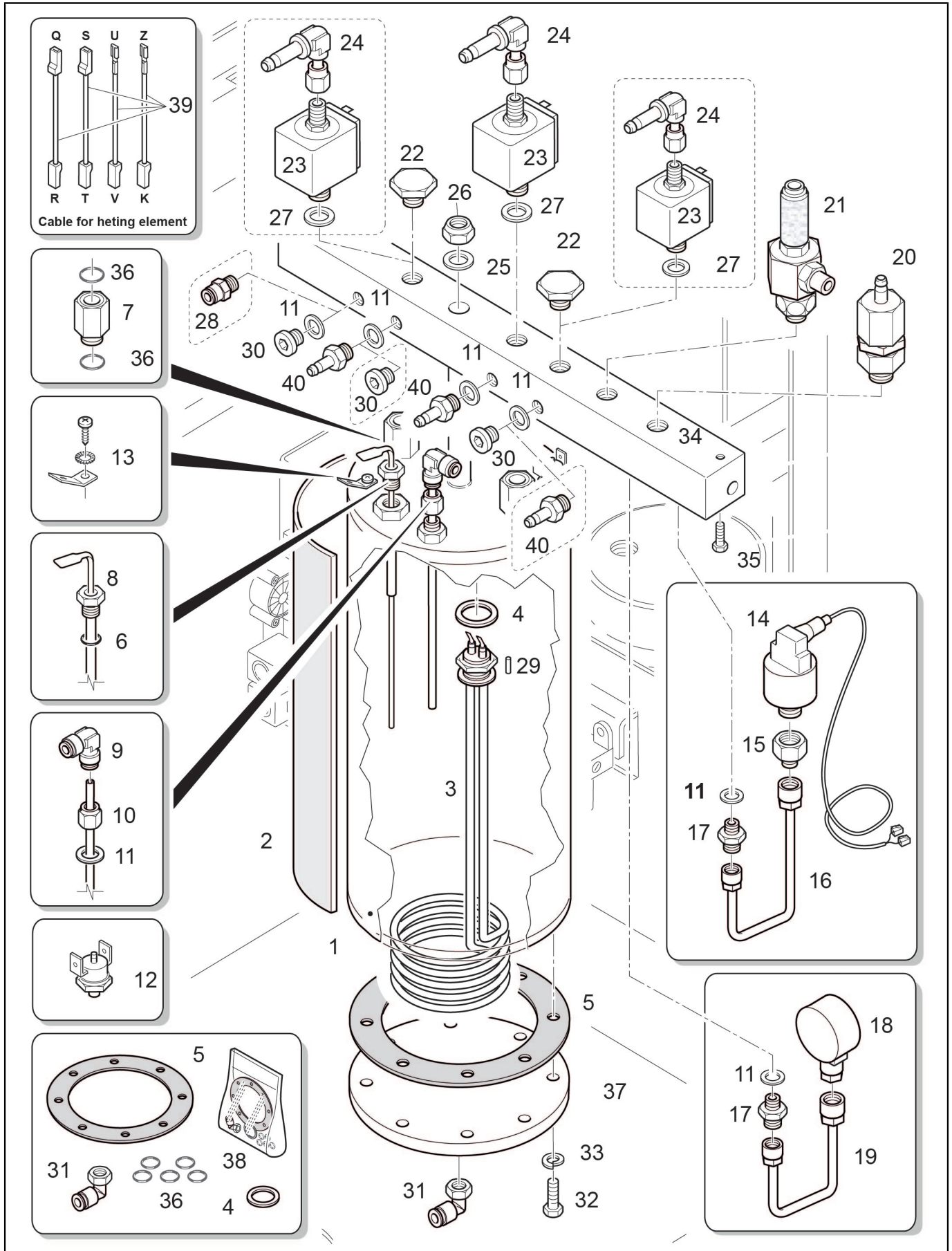
| POS. | CODE | DESCRIPTION | NOTES |
|------|------------------------------|--|--|
| 1 | 38228073 | Teflon Hose Fep D. 6 X 4 | |
| 2 | 00004474 | Silicon Hose D. 8 X 5 Mm | |
| 3 | 00004473 | Silicon Hose D. 14 X 9 Mm | |
| | 10700281 | Drain Pipe Kit | |
| 5 | 69200162 | Y Connection Silicon Pipe D.6 | replacement for 69200118 / Ersatz für 69200118 |
| 6 | 00055795 | Wire Hose Clamp 17,3 Mm | |
| 7 | 10700232 | Valve Drain Tray | |
| 10 | 00045714 | Reducing T Connector D. 12 - 6 - 12 Mm | |
| 11 | 00045714 | Reducing T Connector D. 12 - 6 - 12 Mm | |
| | 00100862.003 | Drain Pipe Kit | |
| 12 | 34040156 | Valve 3/2 24V | |



| POS. | CODE | DESCRIPTION | NOTES |
|------|--------------|---|--|
| 1 | 10020002 | Boiler 230V 2500W Dhe Assy. | |
| | 10020038 | Boiler 230V 2500W Coffee Incoloy 800 | |
| | 10020038 | Boiler 230V 2500W Coffee Incoloy 800 | |
| | 10701094 | Retrofit Kit Coffee Boiler 2,5Kw 0,5L Dhe | |
| 2 | 69000415 | Boiler Insulation | |
| 3 | 00100147.001 | Operator Kit 3/2 Way Water T30 (Acl) | to be used on machine before S/N 12011960 PIN 119415 da utilizzare su macchine precedenti la N/F 12011960 PIN 119415 |
| | 00100149.001 | Plunger 3/2 Water T30 (Acl) | to be used on machine before S/N 12011960 PIN 119415 da utilizzare su macchine precedenti la N/F 12011960 PIN 119415 |
| | 10060607 | Electrovalve Coffee Boiler | |
| | 10060607 | Electrovalve Coffee Boiler | |
| | 34040178 | Plunger 3/2 T30 (Sirai) MI316 | to be used on machine after S/N 12011960 PIN 119415 da utilizzare su macchine successive la N/F 12011960 PIN 119415 |
| | 34040181 | Operator Kit 3/2 Ways T30 24V Sirai | to be used on machine after S/N 12011960 PIN 119415 da utilizzare su macchine successive la N/F 12011960 PIN 119415 |
| | 34040184 | Valve 3/2 24V T30 (Sirai) | f |
| 4 | 10042199 | Pipe Valve-Boiler Coffee Zero | |
| 5 | 69200142 | Elbow Connector G1/4X4 Ppsu | |
| 6 | 23000322 | Rubber Holder Valve Coffee Zero-One | |
| 7 | 27350014 | Copper Gasket 12.5X9.8X1.5 | |
| 8 | 00055794 | Wire Hose Clamp 159 Mm | |
| 9 | 00001521 | Keps Nut M5 | |
| 10 | 23000309 | Plug With Ogive 1/8 | |
| 11 | 10110729 | Extension Cable Temperature Sensor | |
| | 10701642 | Temperature Sensor With O-Ring | |
| 12 | 69200173 | Check Valve 4 X G1/8 | replacement for ../ Ersatz für 69200143 |
| 13 | 32331780 | Thermostat Fixing Bracket | |
| | 34200323 | High Limit Thermostat 140/15 220V | |
| 14 | 35002509 | Manometer Pumpe 0-16 D. 44 | |
| | 35002513 | Manometer Pumpe 0-16 | only used at black frame / nur verwendet bei schwarzem Gehäuse |
| 15 | 69000244 | Pipe Pump Manometer | |
| 16 | 38228072 | Teflon Hose Fep D. 4,0 X 2,5 | |
| 17 | 10060009 | Gasket Holder With Viton Gasket | |
| | 10060479 | Expansion Valve 8 X G 3/8 | |
| | 27350001 | Gasket 3/8 X 1 Copper | |
| 18 | 10042099 | PIPE EXPANSION VALVE COFFEE BOILER | |
| 19 | 00004474 | Silicon Hose D. 8 X 5 Mm | |
| 20 | 00100038.001 | O-Ring 8,73 X 1,78 Mvq | |
| | 10701020 | Coffee Injector | |
| 21 | 00100186.013 | Snap Ring D. 13 Inox | |
| 22 | 23000320 | Nut Drain Connection | |
| 23 | 20200251 | Drain Connector One | |
| 24 | 00004473 | Silicon Hose D. 14 X 9 Mm | |
| 25 | 10701148 | Retrofit Kit Bypass With 2,5Kw Boiler | |
| 26 | 00100043.001 | O-Ring 6,75 X 1,78 Mvq | |
| | 10701019 | Central Injector/14 | |
| 27 | 69200187 | Y Connector D.4 Ppsu | |

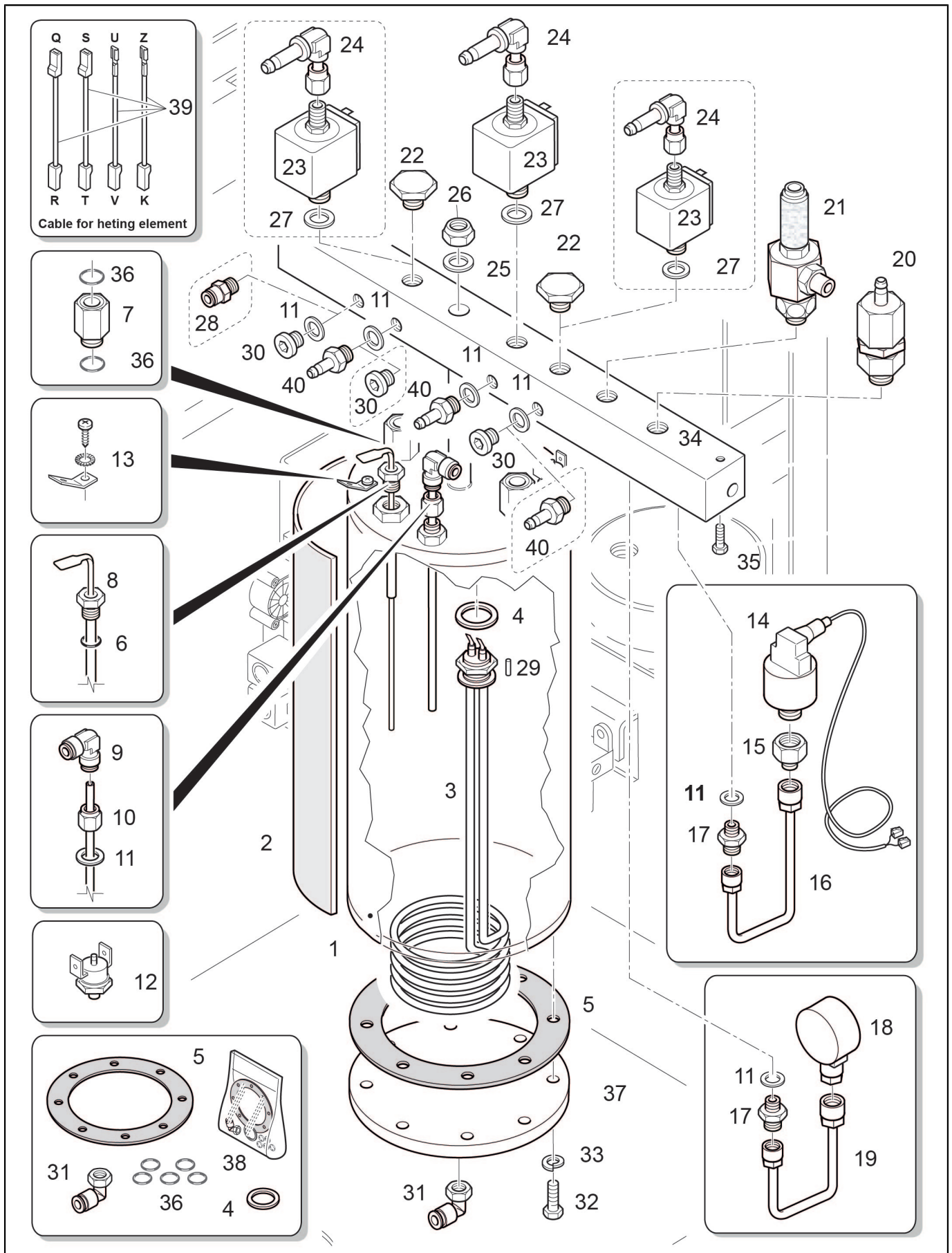


| POS. | CODE | DESCRIPTION | NOTES |
|------|--------------|--------------------------------------|--|
| 28 | 10046062 | Pipe Expansion Valve+Boiler Coffee | |
| 29 | 00100559.001 | Operator Kit 2/2 Way Water T30 (Acl) | to be used on machine before S/N 12011960 PIN 119415 da utilizzare su macchine precedenti la N/F 12011960 PIN 119415 |
| | 00100560.001 | Plunger 2/2 Water T30 (Acl) | to be used on machine before S/N 12011960 PIN 119415 da utilizzare su macchine precedenti la N/F 12011960 PIN 119415 |
| | 10060606 | Electrovalve Powder-Bypass | |
| | 34040177 | Plunger 2/2 T30 (Sirai) MI316 | |
| | 34040183 | Valve 2/2 24V T30 (Sirai) | |
| 30 | 10110868 | Wiring By-Pass Valve Sirai | |
| 31 | 23000289 | Closing Pin G1/4 | |
| 32 | 10700232 | Valve Drain Tray | |
| 33 | 10042199 | Pipe Valve-Boiler Coffee Zero | |
| 34 | 10060006 | Nut And Steam Cock Gasket | |
| 35 | 27350001 | Gasket 3/8 X 1 Copper | |
| 36 | 23220001 | Rubber Holder | |
| 37 | 23220014 | L4 RUBBER-HOLDER | |



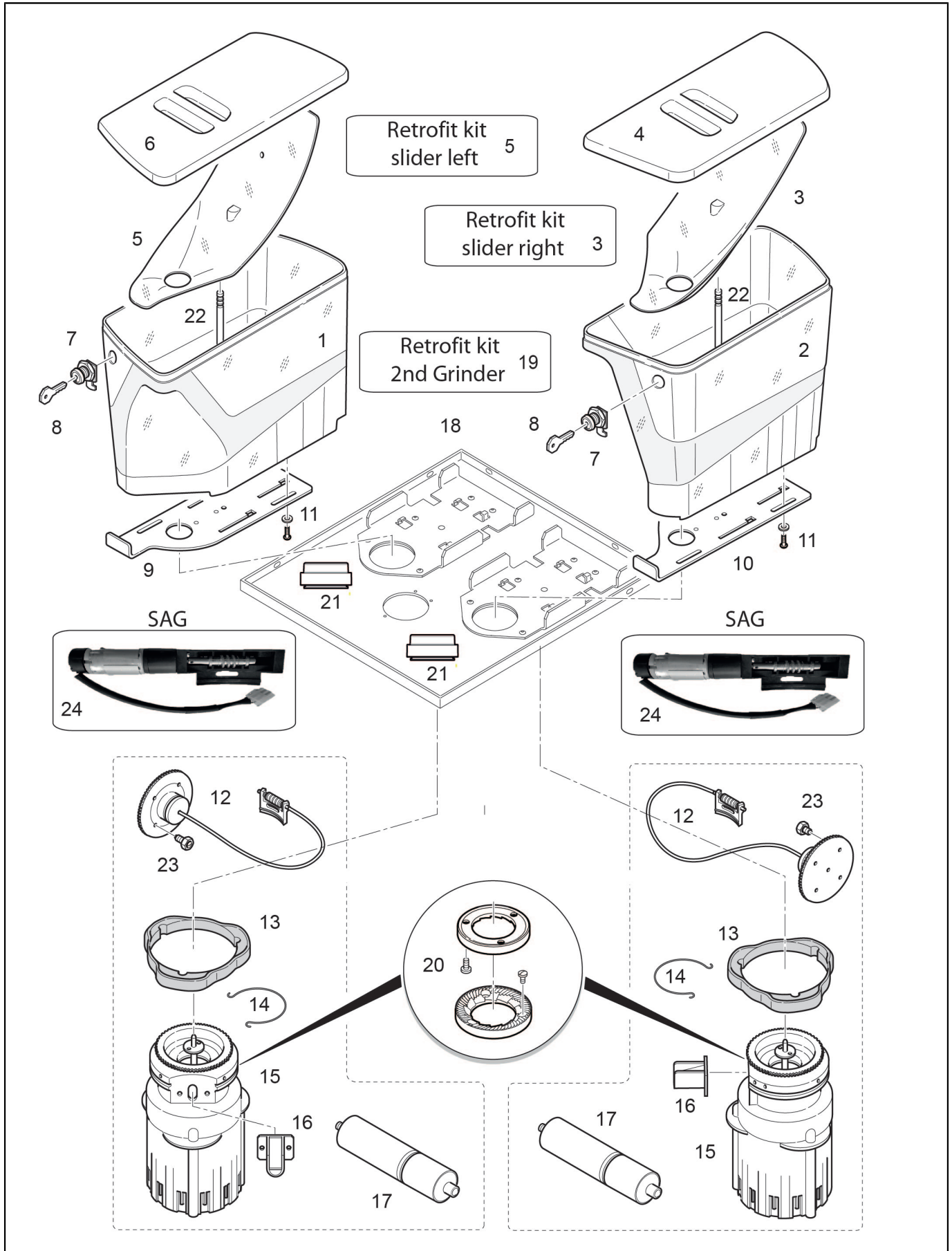
Steam Boiler - steam valve block XP/QM

| POS. | CODE | DESCRIPTION | NOTES |
|------|--------------|---|--|
| 1 | 00100802.001 | Steam Boiler Assy. 3 Kw | FOR ALL OVER THE WORLD EXCEPT FOR SINGAPORE MARKET |
| | 10020018 | Steam Boiler Assy. 2,5Kw | ONLY FOR SINGAPORE VERSION |
| | 10701374 | Steam Boiler Assy. One 3Kw | |
| 2 | 36901955 | Sticky Tape 3M 50Mmx55Mt | |
| | 69000417 | Boiler Insulation Steam Boiler | |
| 3 | 10701173 | HEATING ELEMENT WITH GASKET 2500W/230V ONE | ONLY FOR SINGAPORE VERSION |
| | 10701254 | Heating Element/15 230V/3Kw+Gasket One-S50 | FOR ALL OVER THE WORLD EXCEPT FOR SINGAPORE |
| 4 | 36201035 | Gasket Steam Boiler Resistance Garlock Egro One | |
| 5 | 00100351.001 | Gasket Steam Boiler | |
| 6 | 00002240 | O-Ring 14 X 1,78 Epdm 70Sh | |
| 7 | 00100267.001 | Steam Connection | |
| 8 | 00100268.002 | Level Sensor 140 Mm With Gasketg1/4 | |
| 9 | 00100793.001 | Elbow Connector 6 X 6 Mm | |
| 10 | 30001047 | Suction Pipe | |
| 11 | 27350014 | Copper Gasket 12.5X9.8X1.5 | |
| 12 | 00100300.001 | Temperature Limiter 140 C | |
| 13 | 34160024 | Lamellar Contact | |
| | 37030408 | Screw M 4 X 8 | |
| | 37430400 | Toothed Washer D4 | |
| 14 | 10120004 | Cable Pressure Probe | |
| | 34200288 | Pressure Sensor | |
| 15 | 00100869.001 | Adapter Nipple D. G 1/4 X 3/8 | |
| 16 | 10705232 | Pipe For Pressure Transducer | |
| 17 | 00100059.001 | Double Nipple G 1/4 X G 1/4 | |
| 18 | 00100236.001 | Manometer 4 Bar | |
| 19 | 10705233 | Pipe For Manometer | |
| 20 | 00044464 | Gasket 16,5 X 13,2 X 1,5 Copper | |
| | 10060060 | Vacuum Valve | |
| | 36130008 | Seat Teflon Nsf | |
| | 36220009 | Gasket Nut Note Teflon | |
| | 36404013 | O-Ring Silicone 2031 | |
| | 36404053 | O-Ring 5,28 X 1,78 Epdm | |
| 21 | 00010152 | Threaded Nipple | |
| | 00019974 | Gasket 14,8 X 9 X 2 Copper | |
| | 00027170 | Union Nut G3/8 X 13,5Mm | |
| | 00039067 | Relief Valve, Steam | |
| | 00045682 | Splash Guard-Hose D. 16,0 X 45,0 | |
| 22 | 00060160 | Brass Closing Screw | |
| 23 | 00100016.005 | Plunger 3/2 Steam T30 (Acl) | |
| | 00100116.005 | Operator Kit 3/2 Ways Steam (Acl) T30 | |
| 24 | 00057912 | Threaded Elbow, Maled. 6 Mm X G1/8 | |
| 25 | 37411001 | Plane Washer D.10 | |
| 26 | 00001484 | Nut M10 | |
| 27 | 00100013.001 | O-Ring 17,17 X 1,78 F | |
| 28 | 69200135 | Straight Connector G1/8 X 6 | |
| 29 | 00056751 | Guiding Pin D.8X8 | |
| 30 | 23000299 | Cap G1/8 Boiler One/Zero | |
| 31 | 69200141 | Elbow Connector G1/4X6 Ppsu | |
| 32 | 37040621 | Screw M 6 X 20 Inox | |
| 33 | 37420601 | Elastic Washer D. 6 | |
| 34 | 00100825.001 | Steam Valve Block Assay. | |
| 35 | 37040510 | Screwm5 X 10Mm | |

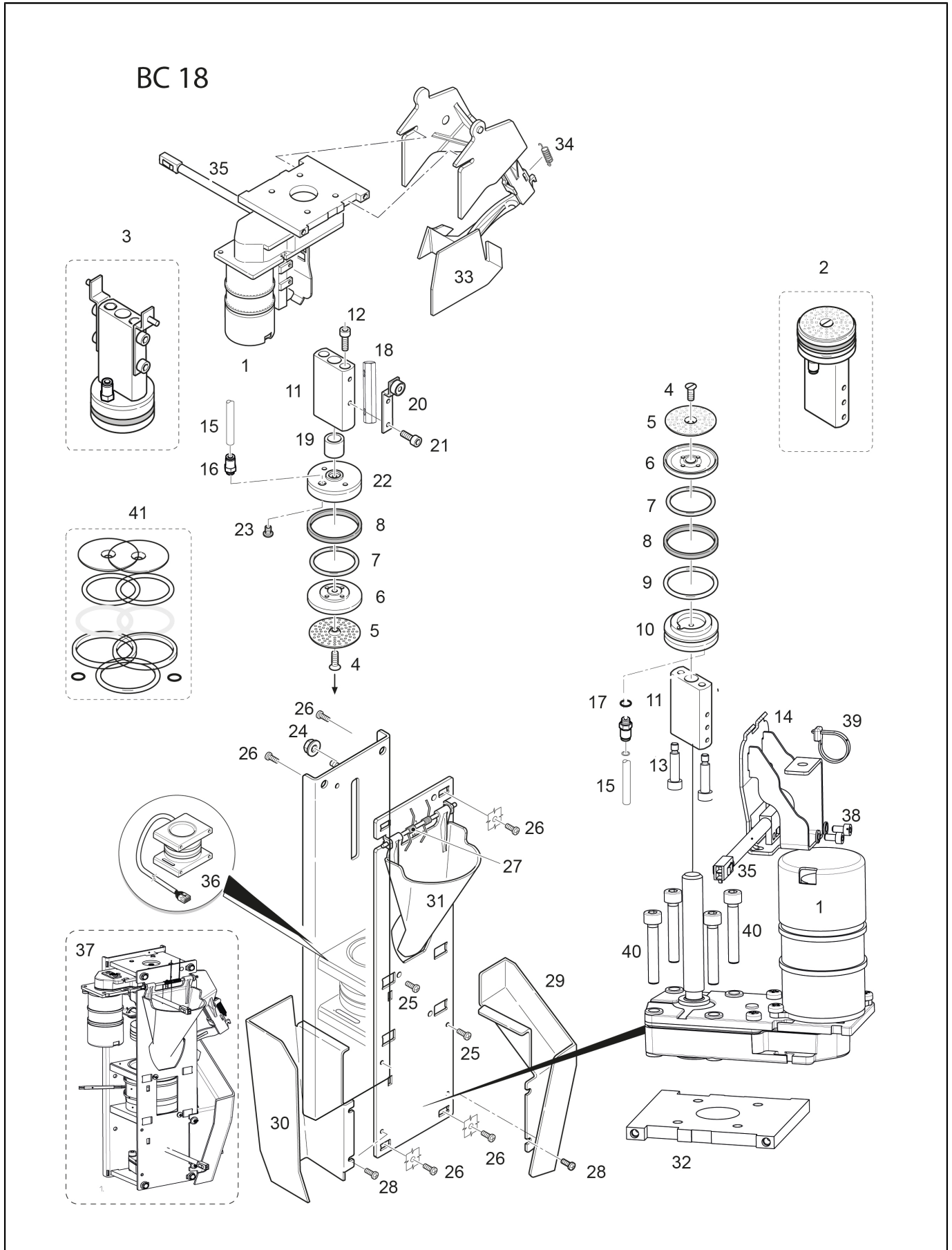


Steam Boiler - steam valve block XP/QM

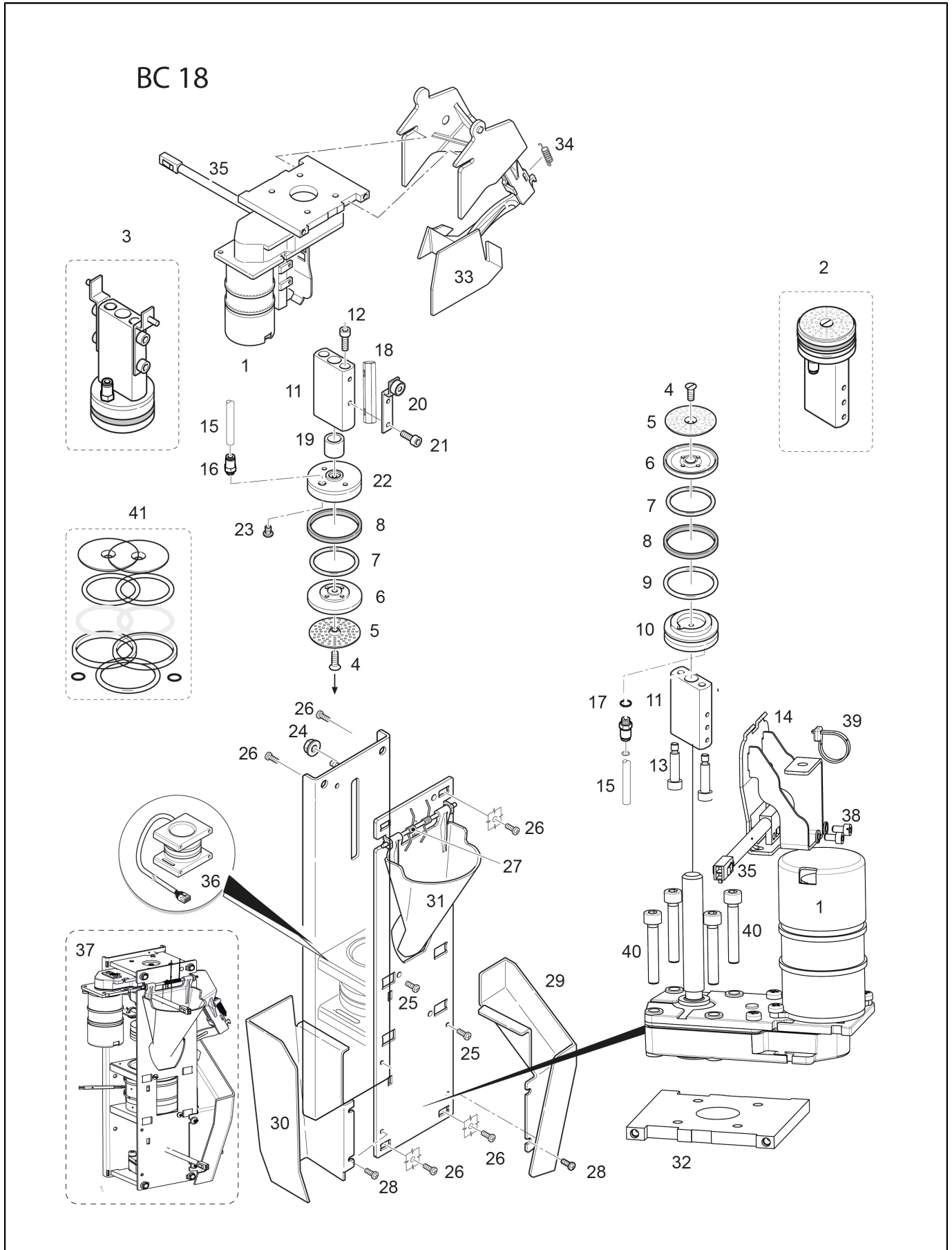
| POS. | CODE | DESCRIPTION | NOTES |
|------|--------------------------|--|----------------------|
| 36 | 36404054 | O-Ring 12,42 X 1,78 V 70Sh 2050 | |
| 37 | 23000194 | Plate Steam Boiler 100 X 1/4 | |
| 38 | 10700998 | Service Kit Steam Boiler | |
| 39 | 10110008 | Kit Egro Boiler Wiring | |
| 40 | 00049966 | Threaded Male Nipple With Washer G 1/8 | |
| | 69200135 | Straight Connector G1/8 X 6 | XP/TM version NO NMS |



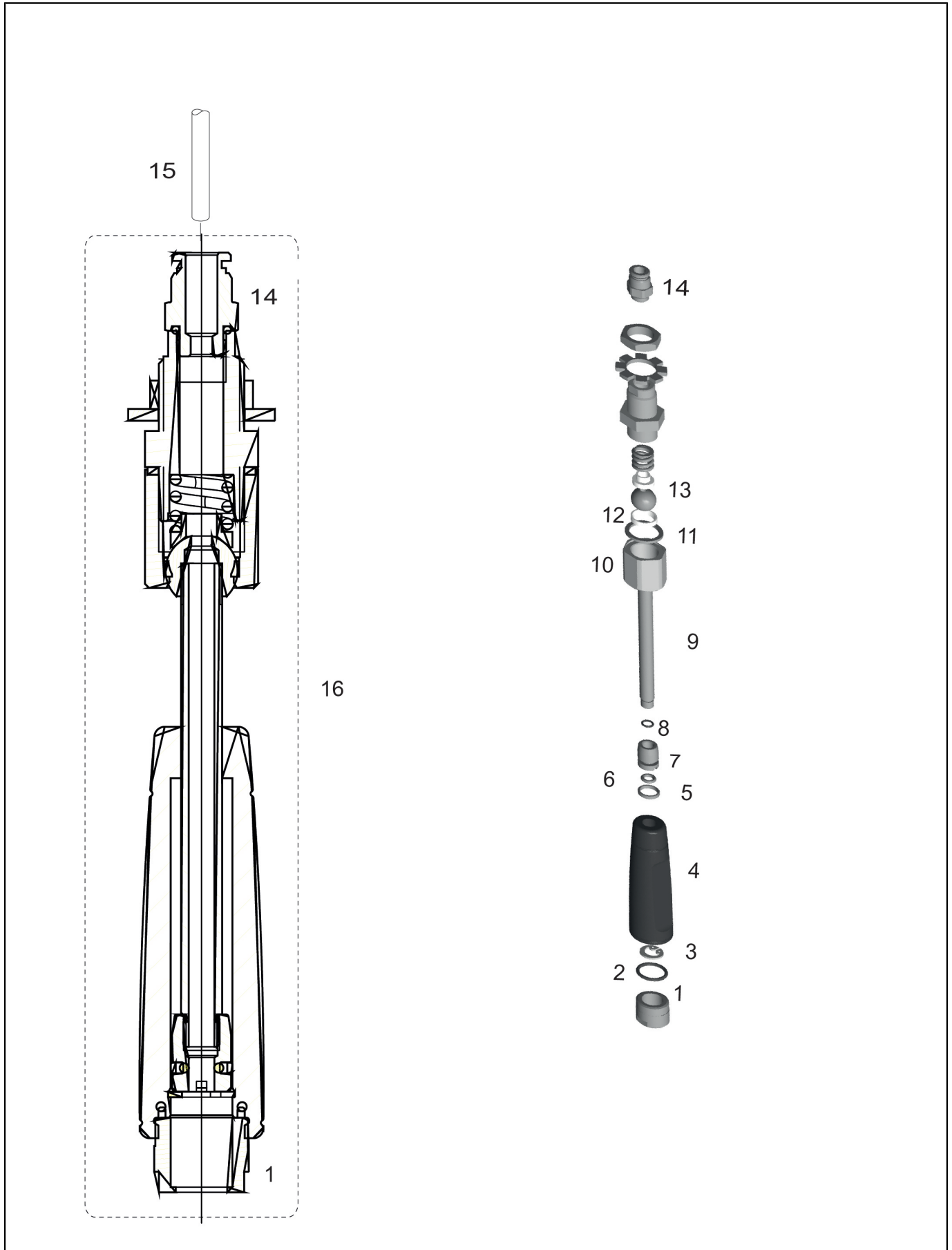
| POS. | CODE | DESCRIPTION | NOTES |
|------|--------------|---|-------|
| 1 | 00100878.001 | Bean Hopper Assay. Left Without Lock | |
| | 00100878.002 | Bean Hopper Assay. Left With Lock | |
| 2 | 00100877.001 | Bean Hopper Assay. Right Without Lock | |
| | 00100877.002 | Bean Hopper Assay. Right With Lock | |
| 3 | 38120580 | Slider Bean Hopper Right One/15 | |
| 4 | 38120075 | Lid For Bean Hopper Right | |
| 5 | 38120581 | Slider Bean Hopper Left One/15 | |
| 6 | 38120076 | Lid For Bean Hopper Left | |
| 7 | 10705529 | Lock Assay. Ronis M15X17,5 With Hook 25.5Mm | |
| | 69000337 | Lock 90 M15 X 17,5 | |
| 8 | 69000339 | Serial Key Cod 200C | |
| 9 | 32331404 | Slider Beans Hopper Left | |
| 10 | 32331403 | Slider Beans Hopper Right | |
| 11 | 37113508 | Selfscrew M3X8 | |
| | 37410300 | Plane Washer D3.2X9 | |
| 12 | 10701209 | Grinder Adjustment Right/15 | |
| | 10701210 | Grinder Adjustment Left/15 | |
| | 10705715 | Grinder Adjustement Left (Welded Frame) | |
| | 10705716 | Grinder Adjustment Right (Welded Frame) | |
| 13 | 36990026 | Rubber Silent Block One | |
| 14 | 00101048.001 | Stop Spring | |
| 15 | 10705713 | Grinder Assay. 220V - 50/60Hz Right | |
| | 10705714 | Grinder Assay. 220V - 50/60Hz Left | |
| 16 | 00100565.001 | Powder Spout(Standard) | |
| 17 | 00101070.001 | Capacitor 14 Mf 400Vac P2 UI | |
| | 34020034 | Capacitor 12,5Mf 450V UI | |
| 18 | 10705706 | Top Lid 2 Grinders | |
| | 10705717 | Top Lid 1 Grinder | |
| 19 | 00101000.001 | Retrofit Kit 2Nd Grinder | |
| 20 | 00046933 | Grinder Plates, Pair D. 54Mm With Screw | |
| 21 | 36990025 | Seal (Collar) / Grinder | |
| 22 | 23000128 | Pin Bean Hopper One Self | |
| 23 | 69200073 | Blocking Srewm8 | |
| 24 | 34010015A | Motor 24V Sag With Encoder | |



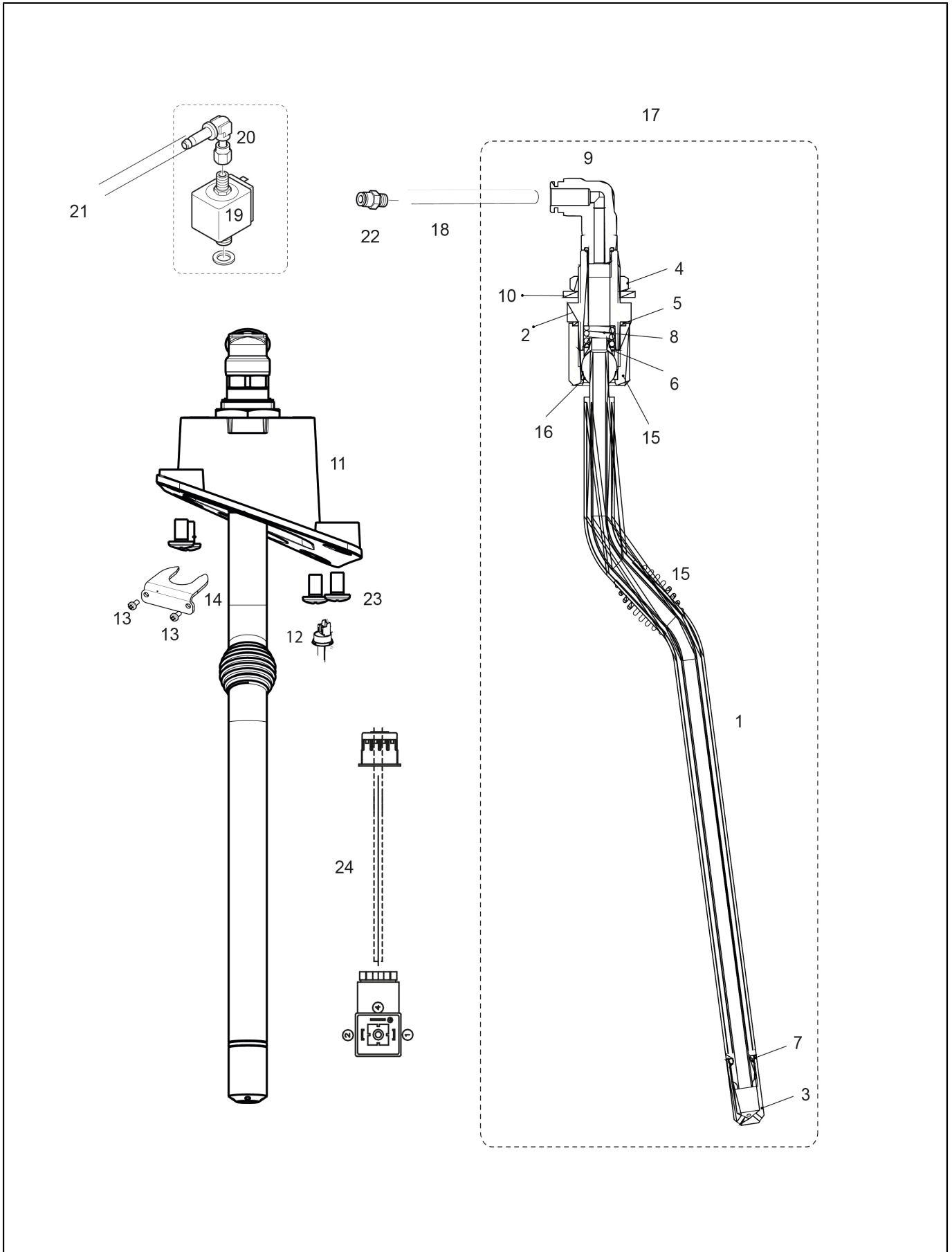
| POS. | CODE | DESCRIPTION | NOTES |
|------|--------------|---|--|
| 1 | 10701051 | Spindle Motor With Sensor | for Egro ONE: S/N 12009467 PIN 108293 |
| 2 | 10700177 | Lower Piston Bc18 | |
| 3 | 10700176 | Upper Piston Bc18 | |
| 4 | 00001176 | Countersunk Screw M4X12 Mm | |
| 5 | 00060116 | Brewing Sieve D. 44 Mm | |
| 6 | 00054861 | Filter Carrier | |
| 7 | 00100136.001 | O-Ring 31,35 X 3,53 Silicone 70Sh Red | |
| 8 | 00039064 | Turcon Ring 39 X 44 X 4 | |
| 9 | 00100506.001 | O-Ring 36,09 X 3,53 Silicone 70Sh | |
| 10 | 36930110 | Lower Piston Gr. Bc18 | |
| 11 | 10701050 | Piston Shaft With Magnet | piston shaft for BC18, ATTENTION to the magnet position. (could be used also on L61 or previous groups, put the magnet on the opposite side) albero pistone per BC18, ATTENZIONE alla posizione del magnete. (può essere utilizzato su gruppi L61 o precedenti posizionando al contrario il magnete) |
| 12 | 00000930 | Hex Socket Head Screw M5 X 25 Mm | |
| 13 | 00048548 | Hex Socket Head Screw For Peek Pistonm4 X 15 Mm | |
| 14 | 32331498 | Piston Guide Reed | |
| 15 | 38228072 | Teflon Hose Fep D. 4,0 X 2,5 | |
| 16 | 69200133 | Straight Connector D.4 X M5 | |
| 17 | 00060283 | O-Ring 4 X 1,2 F | |
| 18 | 00045032 | Nut | |
| 19 | 30001048 | Spacer Piston Guide | |
| 20 | 32331443 | Bracket Upper Piston | |
| 21 | 00000928 | Hex Socket Head Screw M4 X10 Mm | |
| 22 | 36930111 | Upper Piston Group Bc18 | |
| 23 | 00048550 | Flow Limiter D. 0.7 | |
| 24 | 00001521 | Keps Nut M5 | |
| 25 | 37155011 | Screw Atf Pt 4X10 Tcb Ph Inox | |
| 26 | 37040409 | Screw M4 X 8 Te | |
| 27 | 00060858 | Transmission Assay. | |
| 28 | 00046844 | Screw M4 X 8 Mm | |
| 29 | 38120120 | Spindle Motor Protection | |
| 30 | 00048747 | Grounds Slide | Fit for all generation brewing unit (L61/BC18)/ passt für alle Generationen von Brühgruppen (L61/BC18) |
| | 38120119 | Grounds Slider | does not fit for Automatic spout - use metal version 00048747 / passt nicht für Automatischen Auslauf - Metall Ausführung verwenden 00048747 |
| 31 | 38120115 | Coffee Powder Funnel | |
| 32 | 24300010 | Spindle Motor Plate | |
| 33 | 10700178 | Ejector Brewing Group | |
| 34 | 39110026 | Spring Ejector | |
| 35 | 34020125 | End Switch Spindle Motor | |
| 36 | 10701036 | Brewing Chamber Bc18 | |
| 37 | 10054002 | Brewing Group Bc18 | |
| 38 | 37060306 | Screw M3 X 6 Tcei | |
| | 37420300 | Elastic Washer 3 X 0,8 | |
| 39 | 34200071 | Fixing Cable Clamp | |
| 40 | 00000935 | Hex Socket Head Screw M5 X 30 Mm | |



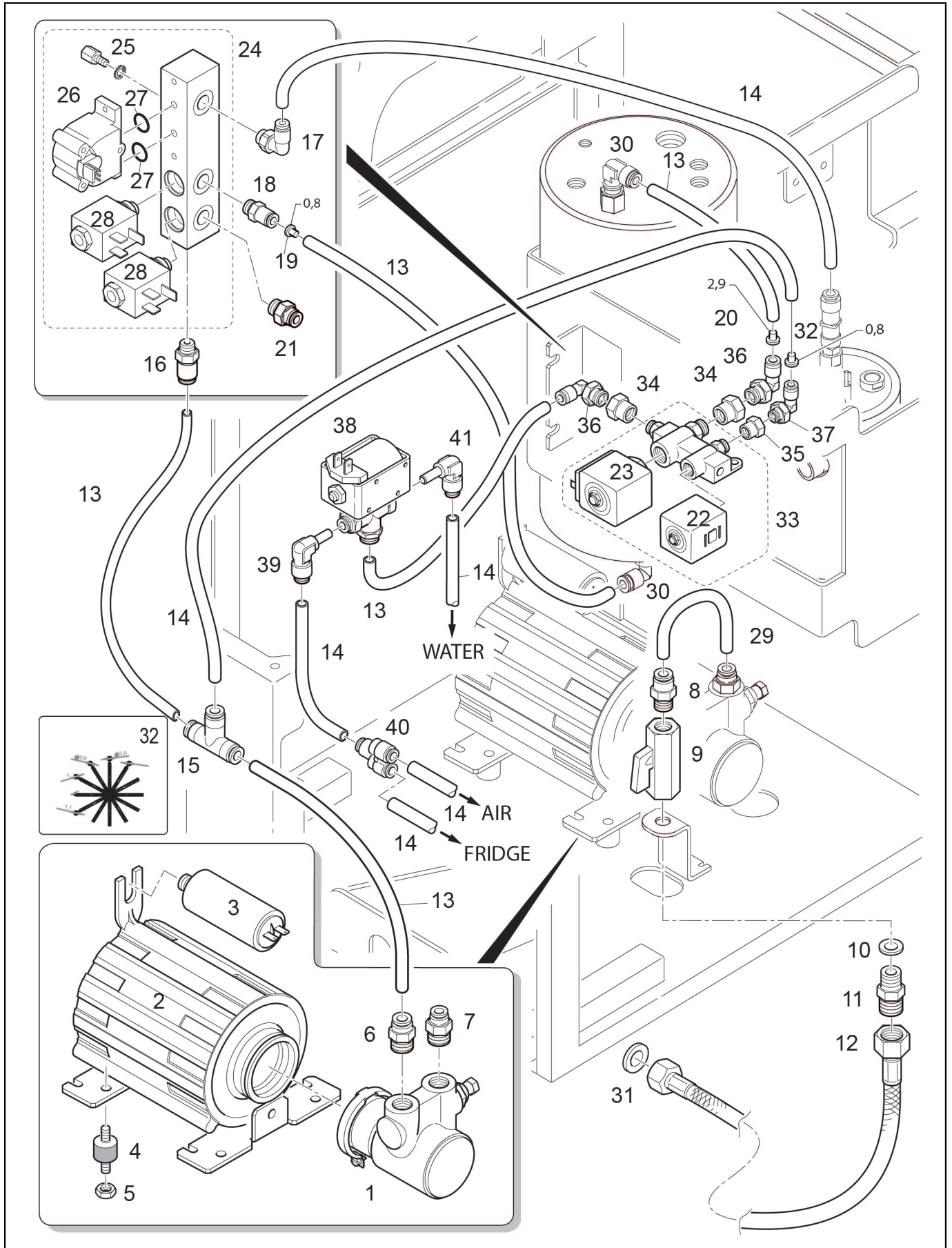
| POS. | CODE | DESCRIPTION | NOTES |
|------|----------|-------------------------------|-------|
| | 37040409 | Screw M4 X 8 Te | |
| 41 | 00057446 | Gasket Kit Brewing Group Bc18 | |



| POS. | CODE | DESCRIPTION | NOTES |
|------|--------------------------|-------------------------------------|-------|
| 1 | 00005295 | Mixing Nozzle G3/8 Neoperl | |
| 2 | 00002240 | O-Ring 14 X 1,78 Epdm 70Sh | |
| 3 | 37510201 | ANEL EL.D.12 INOX U7437 | |
| 4 | 26220005 | Flat Nut 3/8 | |
| 5 | 36201038 | TURCON ANELLO D.12/7.1.2 MF3 | |
| 6 | 36404068 | O-RING D6.7X1.8 EPDM FDA 70SH NERO | |
| 7 | 23000400 | Adjustable Water Wand Nut | |
| 8 | 00002195 | O-Ring 5 X 1 Epdm 70Sh | |
| 9 | 30001055 | TUBO LANCIA ACQUA REGOLABILE NXT | |
| 10 | 23000339 | Nut Connection Wand Inox | |
| 11 | 36220009 | Gasket Nut Note Teflon | |
| 12 | 36930017 | Teflon Gasket For Steam Wand Nut | |
| 13 | 36930016 | Gasket Teflon Connection Steam Wand | |
| 14 | 69200135 | Straight Connector G1/8 X 6 | |
| 15 | 38228073 | Teflon Hose Fep D. 6 X 4 | |
| 16 | 10701430 | Hot Water Wand | |

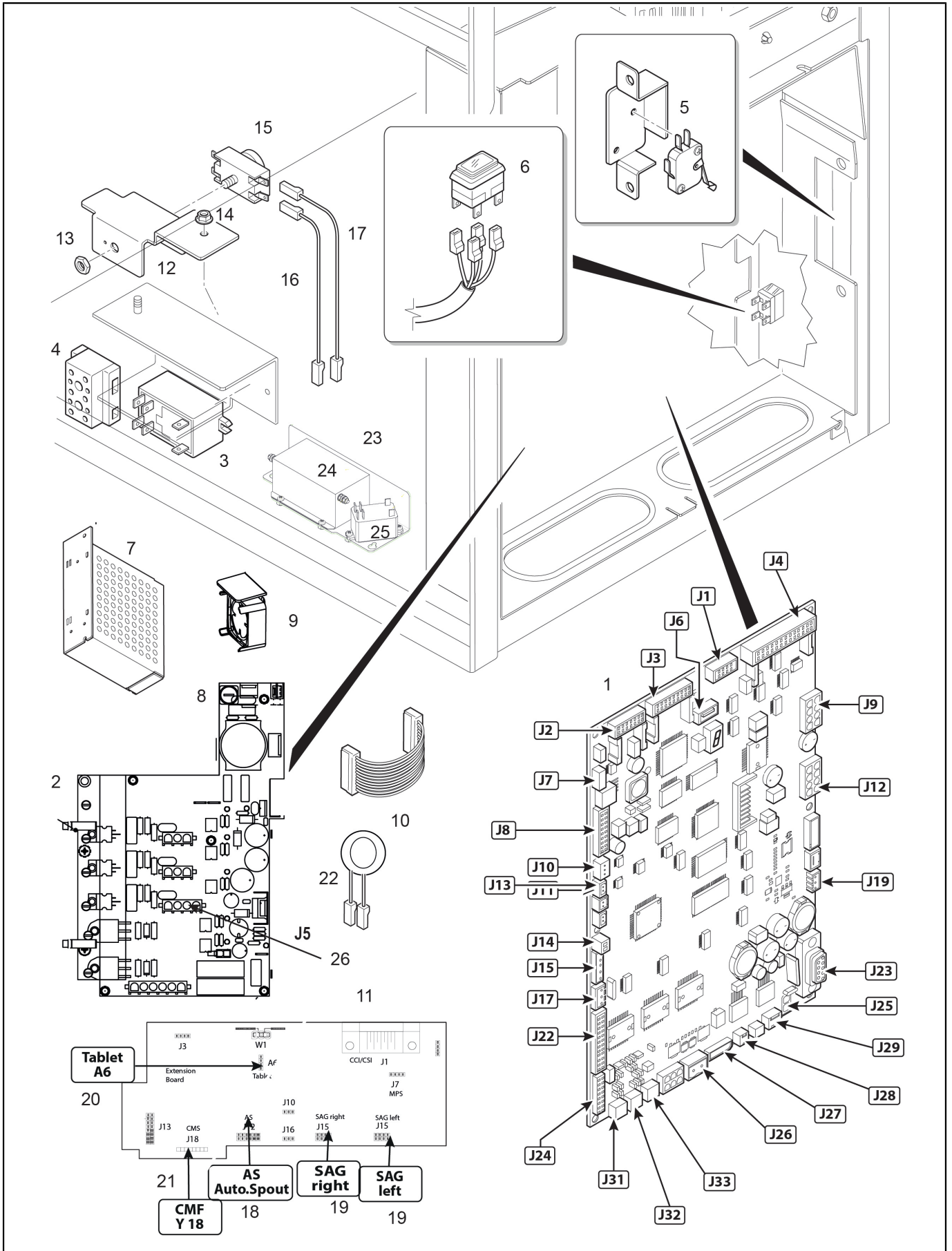


| POS. | CODE | DESCRIPTION | NOTES |
|------|--------------|---|-------|
| 1 | 10049133 | LANCIA COOL TOUCH COMPLETA NXT | |
| 2 | 23000332 | Right Water Wand Connection One As | |
| 3 | 25111006 | Steam Nozzle | |
| 4 | 26220005 | Flat Nut 3/8 | |
| 5 | 36220009 | Gasket Nut Note Teflon | |
| 6 | 36930016 | Gasket Teflon Connection Steam Wand | |
| 7 | 36404022 | O-RING 6,4 X 1,9 R5A | |
| 8 | 39110038 | Spring Connection Steam Tap | |
| 9 | 69200140 | Elbow Connector 6 X G1/8 Ppsu | |
| 10 | 37431600 | Outer Toothed Washer D16 | |
| 11 | 38120343 | Pinch Valve Cap | |
| 12 | 10701434 | Led Cup Light | |
| 13 | 00001062 | Raised Cheese Head Screw M3 X 6 Mm | |
| 14 | 32331613 | Bracket Isteam-Tea Next | |
| 15 | 23000339 | Nut Connection Wand Inox | |
| 16 | 36930017 | Teflon Gasket For Steam Wand Nut | |
| 17 | 10701424 | Steam Wand | |
| 18 | 38228073 | Teflon Hose Fep D. 6 X 4 | |
| 19 | 00100013.001 | O-Ring 17,17 X 1,78 F | |
| 20 | 00057912 | Threaded Elbow, Maled. 6 Mm X G1/8 | |
| 21 | 00004474 | Silicon Hose D. 8 X 5 Mm | |
| 22 | 69200135 | Straight Connector G1/8 X 6 | |
| 23 | 00001074 | Crossed Raised Cheese Head Screw M4 X 10 Mm | |
| 24 | 10120021 | Wiring Solenoid Steam Next | |

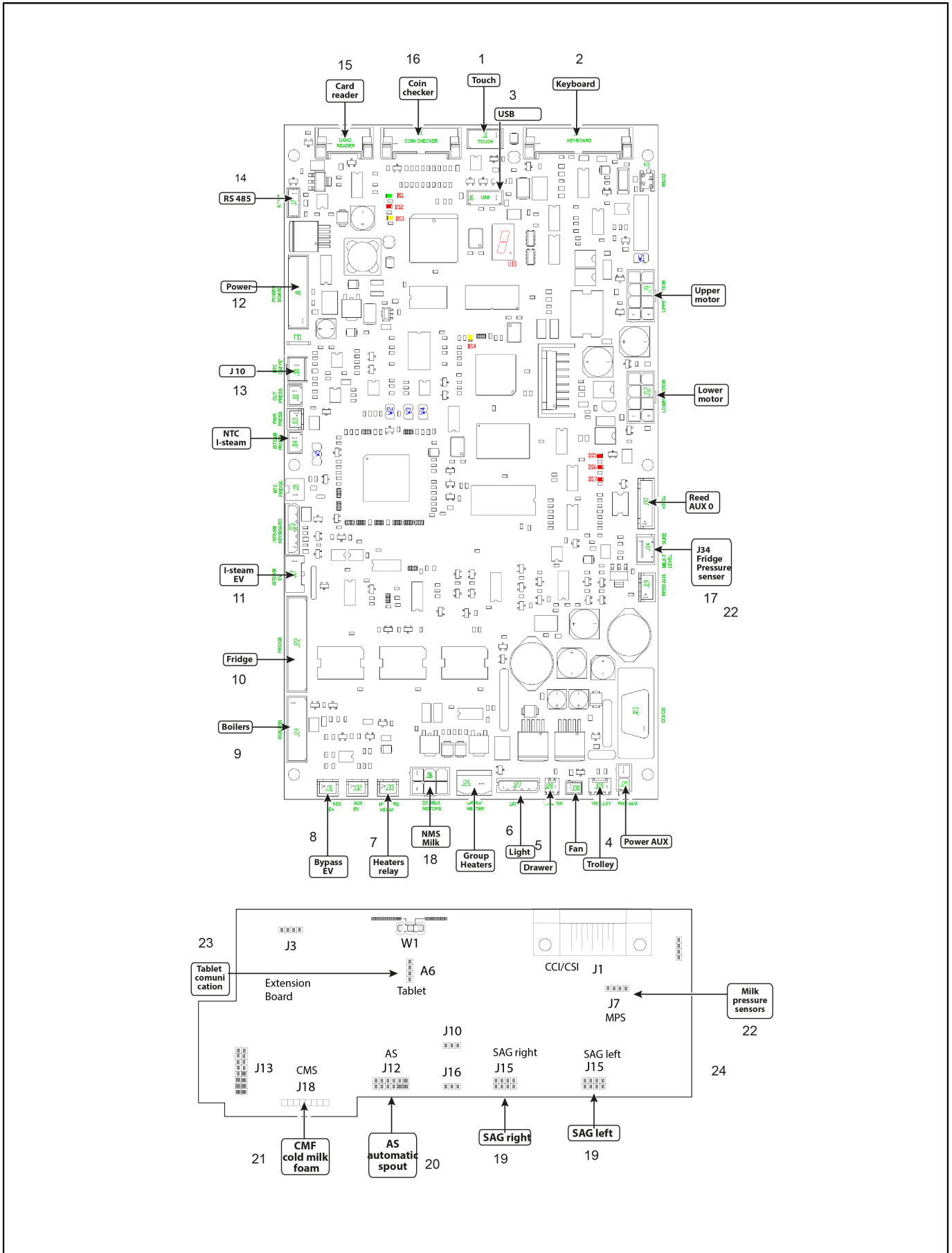


| POS. | CODE | DESCRIPTION | NOTES |
|------|--|---|--|
| 1 | 69000288 | Pump Vm 100L/H | |
| 2 | 00045393 00046299 00100367.001 | Pump Motor 230 V / 50 Hz - 120 W Motor 200 V Pump Motor Assay. 230 V 50/60 Hz (Usa) | |
| 3 | 00042324 34020017 | Capacitor Assay. 7.0 Mf 200V Capacitor 6.3Mf Lt155-255 | |
| 4 | 36322006 | Anti-Vibrating Device 20 X 20 - M6 X 12 Sh30 | |
| 5 | 00001522 | Keps Nut M6 | |
| 6 | 69200165 | Straight Connector 6 X G3/8 | |
| 7 | 69200164 | Straight Connector 8 X G3/8 | |
| 8 | 69200137 | Straight Nipple M8 X G1/4 | |
| 9 | 69200131 | BALL TAP G1/4 | |
| 10 | 00058587 | Gasket 15 X 7,2 X 2,1 Rubber Epdm Perox | |
| 11 | 23000288 | Double Nipple G3/8 X G1/4 | |
| 12 | 69000737 | Flex Pipe Mm1500 Nsf F3/8-F3/8 Check Valve | |
| 13 | 38228073 | Teflon Hose Fep D. 6 X 4 | |
| 14 | 38228072 | Teflon Hose Fep D. 4,0 X 2,5 | |
| 15 | 00100897.001 | T - Connectord. 6 X 4 X 6 Mm | |
| 16 | 69200135 | Straight Connector G1/8 X 6 | |
| 17 | 69200139 | Elbow Connector 4 X G1/8 Ppsu | |
| 18 | 69200190 | Check Valve 6 X G1/8 | |
| 19 | 00100899.001 | Flow Limiter 0,8 | |
| 20 | 00100939.001 10701412 38120337 | Flow Limiter D. 2.9 X 4 KIT TEMPERATURA T# ONE Restriction 3,2 X 4 Peek | |
| 21 | 23000299 27350014 69200134 | Cap G1/8 Boiler One/Zero Copper Gasket 12.5X9.8X1.5 Straight Connector G1/8 X 4 | |
| 22 | 34040197 | Operator Kit 24V 2/2 T22 (Cold) Ppo | |
| 23 | 34040198 | Operator Kit 24V 2/2 T30 (Hot) Ppo | |
| 24 | 00100313.001 | Cold Water Valve Block Assay. | on machine before S/N 12011960 PIN 119415 use ACL Valves 34049007 su macchine precedenti la N/F 12011960 PIN 119415 utilizzare le valvole ACL 34049007 from S/N 12011960 PIN 119415 use SIRAI valves 34040163 su dalla N/F 12011960 PIN 119415 utilizzare valvola SIRAI 34040163 |
| 25 | 00046192 | Spacers | |
| 26 | 00053558 10120008 | Flowmeter With O-Rings Flowmeter Cable | |
| 27 | 00055294 | O-Ring Kit For Flowmeter | |
| 28 | 34040179 34040182 34049006 34049007 | Plunger 2/2 T22 (Sirai) Operator Kit 2/2 Ways T22 Sirai Plunger 2/2 Water T22 (Acl) Operator Kit 2/2 Way Water (Acl) T22 | to be used on machine after S/N 12011960 PIN 119415 da utilizzare su macchine successive la N/F 12011960 PIN 119415 to be used on machine after S/N 12011960 PIN 119415 da utilizzare su macchine successive la N/F 12011960 PIN 119415 to be used on machine before S/N 12011960 PIN 119415 da utilizzare su macchine precedenti la N/F 12011960 PIN 119415 to be used on machine before S/N 12011960 PIN 119415 da utilizzare su |

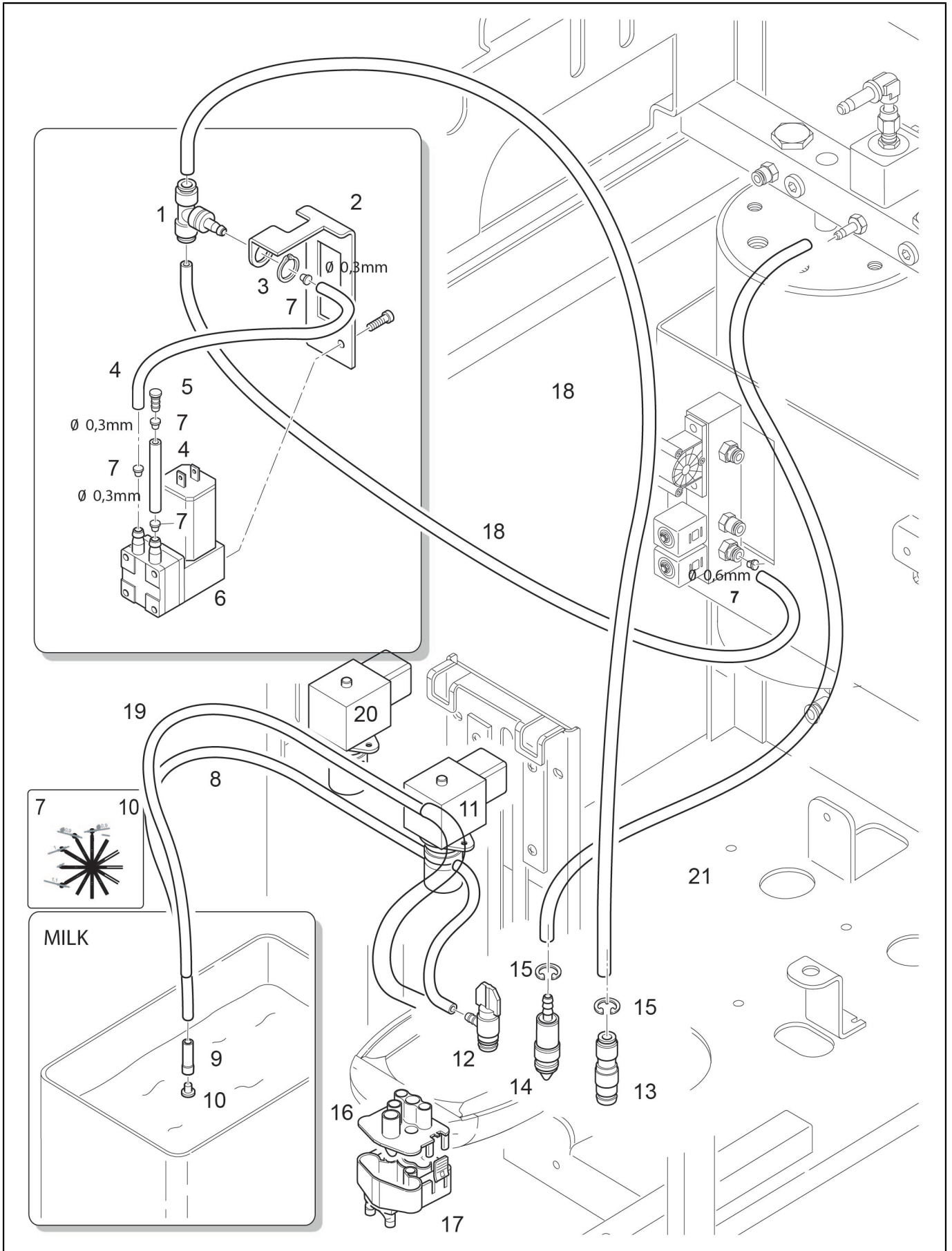
| POS. | CODE | DESCRIPTION | NOTES |
|------|----------|-------------------------------------|---|
| | | | macchine precedenti la N/F 12011960 PIN 119415 |
| 29 | 38228074 | Teflon Hose Fep D. 8 X 6 | |
| 30 | 69200187 | Y Connector D.4 Ppsu | |
| 31 | 00019974 | Gasket 14,8 X 9 X 2 Copper | |
| 32 | 38120127 | Restriction Ring Little White | |
| 33 | 10701473 | Economizer 24V Plastic | |
| | 10705759 | Tea Water Mixer 24V Brass | |
| | 10705788 | Tea Water Mixer 24V-Pps | |
| 34 | 69200150 | Connection M12 X 1,8G | |
| 35 | 69200151 | Connection M10 X 1,8G | |
| 36 | 00053754 | Threaded Elbow, Male D. 6 Mm X G1/8 | |
| 37 | 69200134 | Straight Connector G1/8 X 4 | |
| 38 | 34040156 | Valve 3/2 24V | |
| | 69200174 | Valve Membrane | |
| 39 | 69200188 | Elbow Connector 4Ff D6 Ppsu | |
| 40 | 69200187 | Y Connector D.4 Ppsu | |
| 41 | 69200130 | Elbow Connector 6X6 | |



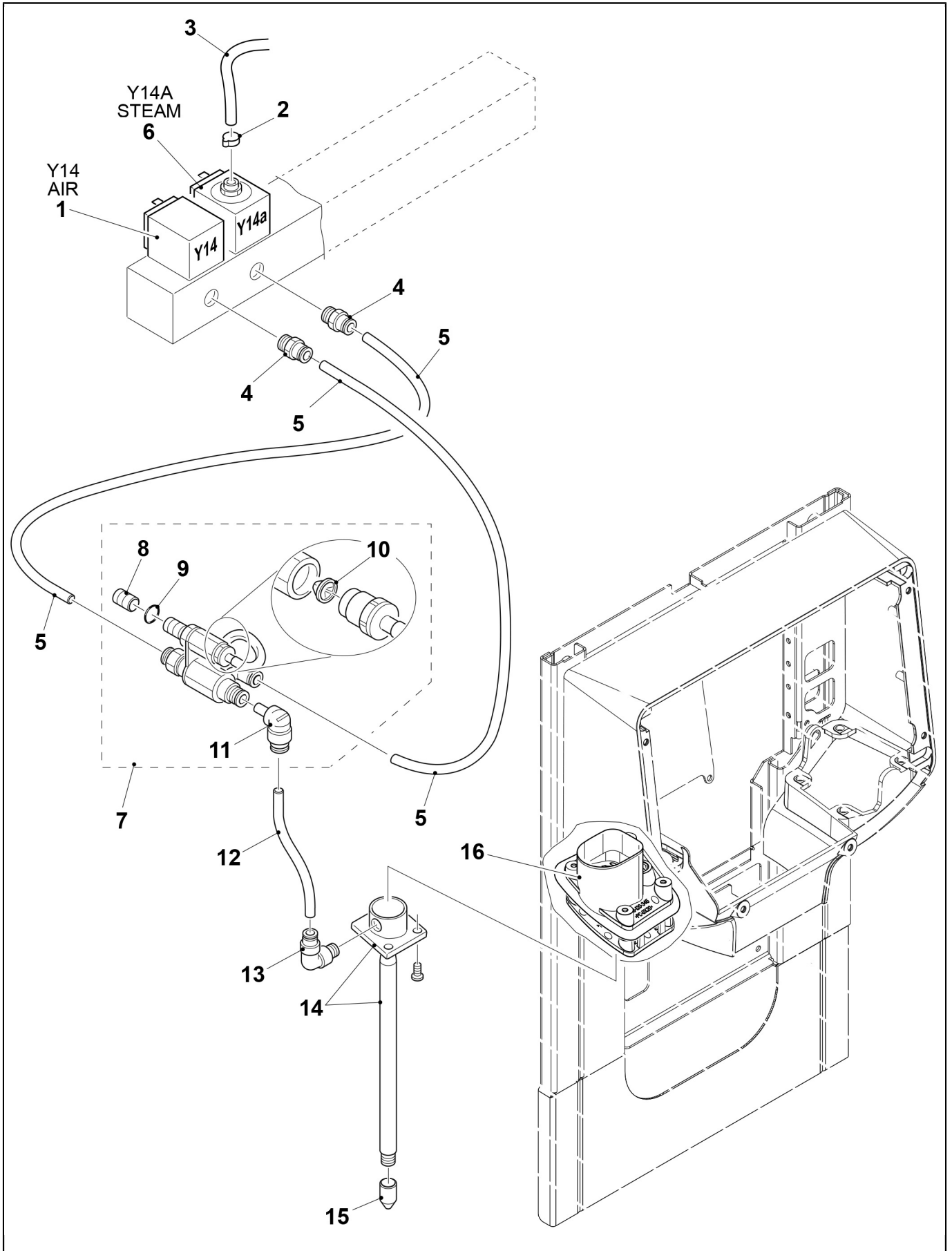
| POS. | CODE | DESCRIPTION | NOTES |
|------|--|---|---|
| 1 | 10701056 10701624 | Kit Cpu Board Egro One Nms Kit Board OCB19 | |
| 2 | 10701400 | Power Board Egro | for all ONE/TWO/BYO with Power Switching supply from SN für alle ONE/TWO/BYO mit Schaltnetzteil ab SN |
| 3 | 34200289 | Heating Element Relay | |
| 4 | 00053952 34300072 34300074 34300075 34300079 34300098 | Connecting Terminal 3 P Cable+Plug Cavo H07Rn-F 3Capi Sez.2,5 L=2000 Cavo H07Rn-F 3Capi Sez.4 L=2500 Cavo H07Rn-F 5C.Sez.4 L=2500 CAVO H07RN-F 4C.SEZ.2,5 L=2000 | |
| 5 | 34100021 | Micro Switch | |
| 6 | 10701758 | Main Switch+Cover | |
| 7 | 34070300 | Power Supply 24V 150W | |
| 8 | 34200177 | Fuse 2A 5X20 | |
| 9 | 34070021 | Flowmeter Wired | |
| 10 | 10110701 | Cable Powersupply-Cpu One | |
| 11 | 10110977 34070160 | Wiring Cb Board To Exb Egro Extension Board With Bluetooth | for options (SAG, AS, CMF, BYO) / für Optionen (SAG, AS, CMF, BYO) |
| 12 | 32331595 | Relay/Thermostat Bracket | |
| 14 | 00001518 | Keps Nut M4 | |
| 15 | 34200323 | High Limit Thermostat 140/15 220V | |
| 16 | 10110852 | Extension Cable Coffee Boiler Dhe | |
| 18 | 10110961 | Wiring As | |
| 19 | 10110962 | Wiring Sag | |
| 20 | 10110958 | Wiring Tablet Byo Fix | |
| 21 | 10110960 | Wiring Cmf Valves | |
| 22 | 34070236 | Cable Button Display Byo | |
| 23 | 10110343 | Wiring Relay/Emc Filter | |
| 24 | 34021013 | EMC FILTER ONE | |
| 25 | 34200289 | Heating Element Relay | |
| 26 | 10110708 | Wiring Pump | |



| POS. | CODE | DESCRIPTION | NOTES |
|------|----------|--|---|
| 1 | 10110705 | Wiring Set Touchscreen One | |
| 2 | 00044846 | Flat Cable 600Mm | |
| 3 | 10110706 | Extension Usb-Cable | |
| | 34070075 | Wiring Set J6 With Usb Connector (Touch Pad) | |
| 4 | 10110714 | Wiring Set J29 | |
| 5 | 10110717 | Wiring Set J28 | |
| 6 | 10705592 | Usb Wired Assy One | |
| 7 | 10110716 | Wiring Set J33 Relays | |
| 8 | 10110704 | Wiring Set J31 By Pass One | |
| | 10110867 | Wiring Valves Sirai | |
| 9 | 10110867 | Wiring Valves Sirai | |
| 10 | 10110709 | Wiring Set J22 Ks7 | |
| | 10110715 | Wiring Set J22 One Quick Milk | |
| | 10110759 | Wiring Milk Pump Module Ks9 | |
| | 10110821 | Wiring Set J22 One Quick Milk Nms | |
| | 10701324 | Extension Kit - Undercounter Fridge | |
| 11 | 10110703 | Wiring Set J17 Isteam | |
| | 10110874 | Wiring Electrovalve Isteam 3Valves Cc | |
| 12 | 10110712 | WIRING SET J10 EXTENSION WIRING COFFEE PROBE ONE | |
| 13 | 10110701 | Cable Powersupply-Cpu One | |
| 14 | 10110728 | Wiring Powder Module - Coffee Machine | |
| 15 | 10110001 | Flat Cable Pay System Machine 16 Poles | |
| | 10110002 | Flat Cable Smart Card 10 Poles | |
| 16 | 00034550 | Cable Tie 2,5 X 200 Mm | |
| | 34200071 | Fixing Cable Clamp | |
| | 34200301 | CLAMP L.155X4,8MM | |
| 17 | 10110835 | Pressure Sensor Cable Set Nms 1Milk | |
| | 10110837 | Extension Cable Pressure Sensor 4Pole | |
| | 10110839 | Pressure Sensor Cable Set 2Milk | |
| | 10110976 | Cable Milk Sensor Nms | Kabel Drucksensor von Maschine / cable pressure sensor from machine |
| 19 | 10110962 | Wiring Sag | |
| 20 | 10110961 | Wiring As | |
| 21 | 10110959 | Wiring Valve Pump Module Cmf Ks9 | |
| | 10110960 | Wiring Cmf Valves | |
| 22 | 10110835 | Pressure Sensor Cable Set Nms 1Milk | |
| | 10110837 | Extension Cable Pressure Sensor 4Pole | |
| 23 | 10110958 | Wiring Tablet Byo Fix | |
| 24 | 34070236 | Cable Button Display Byo | |



| POS. | CODE | DESCRIPTION | NOTES |
|------|--|---|--|
| 1 | 69200128 | T Fast Connector With Check Valve | |
| 2 | 32332204 | Bracket Air Pump Next QM | |
| 3 | 39930009 | Neverending Strip D.14 | |
| 4 | 00049209 | Silicon Hose D. 7,0 X 3,0 Mm | |
| 5 | 00100029.001 | Insert Nipple For Froather Head | |
| 6 | 10701466 34011038A | ASSIEME POMPA ARIA NXT QUICK MILK Air Pump 24Vdc/16 | |
| 7 | 38120127 69150018 | Restriction Ring Little White Filter Airpump Nms | 0.3 reduction |
| 8 | 38228005 | Silicon Tube D.6X4 | internal pinch valve |
| 9 | 10700005 23000196 | Reduction Kit Sucking Nozzle | |
| 10 | 00100039.001 38120128 | O-Ring 4,48 X 1,78 Mvq 70Sh Restriction Ring Big Black | 0.7 reduction |
| 11 | 10110726 10701206 32331778 32332020 34040123 37155011 | Wiring Set Extension Ev Pinch One Pinch Valve Nms Plastic Spout Pinch Valve Bracket Nms Pinch Valve Bracket Spout/15 Pinch Valve Small 5.5Mm Screw Atf Pt 4X10 Tcb Ph Inox | internal pinch valve internal pinch valve |
| 12 | 00100043.001 10701021 | O-Ring 6,75 X 1,78 Mvq Milk Injector Quick Milk/14 | |
| 13 | 00100043.001 10701018 | O-Ring 6,75 X 1,78 Mvq Injector Nms | |
| 14 | 00100038.001 10701023 | O-Ring 8,73 X 1,78 Mvq Steam Injector Qm | |
| 15 | 00001951 | Snap Ring D. 6 Inox | |
| 16 | 38120210 | Upper Spout Nms | |
| 17 | 38120209 38120277 | Lower Spout Nms D5.5 Coffee Outlet Lower Part D.6,3 | |
| 18 | 38228072 | Teflon Hose Fep D. 4,0 X 2,5 | |
| 19 | 00060162 | Silicon Hose Blue (Kb) 50Shore D. 7,0 X 4,0 Mm | external pinch valve |
| 20 | 00055455 | Pinch Valve Big 7.9Mm | external pinch valve |
| 21 | 00048474 | Silicon Hose D. 7 X 4 Mm | |



| POS. | CODE | DESCRIPTION | NOTES |
|------|--------------------------|---|-------|
| 1 | 00100559.001 | Operator Kit 2/2 Way Water T30 (Acl) | |
| 2 | 39930011 | Metal Clamp no Screw d12,5-14 | |
| 3 | 00004474 | Silicon Hose D. 8 X 5 Mm | |
| 4 | 69200135 | Straight Connector G1/8 X 6 | |
| 5 | 38228073 | Teflon Hose Fep D. 6 X 4 | |
| 6 | 00100116.005 | Operator Kit 3/2 Ways Steam (Acl) T30 | |
| 7 | 10701554 | Venturi Isteam Next Assy. | |
| 8 | 23000092 | Flow Limiter 0,25 Isteam/Yousteam | |
| 9 | 36404013 | O-Ring Silicone 2031 | |
| 10 | 36230021 | Duckbill Valve | |
| 11 | 69200130 | Elbow Connector 6X6 | |
| 12 | 38228073 | Teflon Hose Fep D. 6 X 4 | |
| 13 | 69200140 | Elbow Connector6 X G1/8 Ppsu | |
| 14 | 10701552 | Isteam Next Assy. | |
| 15 | 23000492 36930024 | Sprayer Next Isteam 10x1.2 Isteam Sprayer Next | |
| 16 | 38120345V | Adapter Cap Isteam Next | |

| Code | No. table | Pos. | Code | No. table | Pos. | Code | No. table | Pos. |
|----------|-----------|------|--------------|-----------|------|----------|-----------|------|
| 00000928 | 2002_02 | 21 | 00053952 | 3000_03 | 4 | 10042099 | 2000_03 | 18 |
| 00000928 | 2002_50 | 21 | 00054861 | 2002_02 | 6 | 10042199 | 2000_03 | 33 |
| 00000930 | 2002_02 | 12 | 00054938 | 1001_50 | 18 | 10042199 | 2000_03 | 4 |
| 00000930 | 2002_50 | 12 | 00055294 | 2007_02 | 27 | 10046062 | 2000_03 | 28 |
| 00000935 | 2002_02 | 40 | 00055455 | 6003_02 | 20 | 10049133 | 2003_50 | 1 |
| 00000935 | 2002_50 | 40 | 00055794 | 2000_03 | 8 | 10054002 | 2002_02 | 37 |
| 00001062 | 1001_50 | 20 | 00055795 | 2001_02 | 6 | 10054003 | 2002_50 | 37 |
| 00001062 | 1001_50 | 7 | 00056751 | 2006 | 29 | 10060006 | 2000_03 | 34 |
| 00001062 | 2003_50 | 13 | 00057446 | 2002_02 | 41 | 10060009 | 2000_03 | 17 |
| 00001069 | 1001_50 | 13 | 00057912 | 2003_50 | 20 | 10060060 | 2006 | 20 |
| 00001069 | 1001_50 | 17 | 00057912 | 2006 | 24 | 10060479 | 2000_03 | 17 |
| 00001074 | 2003_50 | 23 | 00058587 | 2007_02 | 10 | 10060606 | 2000_03 | 29 |
| 00001176 | 2002_02 | 4 | 00060116 | 2002_02 | 5 | 10060607 | 2000_03 | 3 |
| 00001176 | 2002_50 | 4 | 00060160 | 2006 | 22 | 10060607 | 2000_03 | 3 |
| 00001484 | 2006 | 26 | 00060162 | 6003_02 | 19 | 10110001 | 3001 | 15 |
| 00001514 | 1001_51 | 14 | 00060283 | 2002_02 | 17 | 10110002 | 3001 | 15 |
| 00001514 | 1001_51 | 8 | 00060283 | 2002_50 | 17 | 10110008 | 2006 | 39 |
| 00001518 | 3000_03 | 14 | 00060858 | 2002_02 | 27 | 10110343 | 3000_03 | 23 |
| 00001521 | 2000_03 | 9 | 00060858 | 2002_50 | 27 | 10110701 | 3000_03 | 10 |
| 00001521 | 2002_02 | 24 | 00100013.001 | 2003_50 | 19 | 10110701 | 3001 | 13 |
| 00001521 | 2002_50 | 24 | 00100013.001 | 2006 | 27 | 10110703 | 3001 | 11 |
| 00001522 | 2007_02 | 5 | 00100016.005 | 2006 | 23 | 10110704 | 3001 | 8 |
| 00001951 | 6003_02 | 15 | 00100029.001 | 6003_02 | 5 | 10110705 | 3001 | 1 |
| 00002195 | 2004_50 | 8 | 00100038.001 | 2000_03 | 20 | 10110706 | 3001 | 3 |
| 00002240 | 2004_50 | 2 | 00100038.001 | 6003_02 | 14 | 10110708 | 3000_03 | 26 |
| 00002240 | 2006 | 6 | 00100039.001 | 6003_02 | 10 | 10110709 | 3001 | 10 |
| 00004473 | 2000_03 | 24 | 00100043.001 | 2000_03 | 26 | 10110712 | 3001 | 12 |
| 00004473 | 2001_02 | 3 | 00100043.001 | 6003_02 | 12 | 10110714 | 3001 | 4 |
| 00004474 | 2000_03 | 19 | 00100043.001 | 6003_02 | 13 | 10110715 | 3001 | 10 |
| 00004474 | 2001_02 | 2 | 00100059.001 | 2006 | 17 | 10110716 | 3001 | 7 |
| 00004474 | 2003_50 | 21 | 00100116.005 | 2006 | 23 | 10110717 | 3001 | 5 |
| 00004474 | 4002 | 3 | 00100116.005 | 4002 | 6 | 10110726 | 6003_02 | 11 |
| 00005295 | 2004_50 | 1 | 00100136.001 | 2002_02 | 7 | 10110728 | 3001 | 14 |
| 00010152 | 2006 | 21 | 00100147.001 | 2000_03 | 3 | 10110729 | 2000_03 | 11 |
| 00017719 | 1001_51 | 13 | 00100149.001 | 2000_03 | 3 | 10110759 | 3001 | 10 |
| 00019974 | 2006 | 21 | 00100186.013 | 2000_03 | 21 | 10110821 | 3001 | 10 |
| 00019974 | 2007_02 | 31 | 00100236.001 | 2006 | 18 | 10110835 | 3001 | 17 |
| 00027170 | 2006 | 21 | 00100267.001 | 2006 | 7 | 10110835 | 3001 | 22 |
| 00034550 | 3001 | 16 | 00100268.002 | 2006 | 8 | 10110837 | 3001 | 17 |
| 00039064 | 2002_02 | 8 | 00100300.001 | 2006 | 12 | 10110837 | 3001 | 22 |
| 00039067 | 2006 | 21 | 00100313.001 | 2007_02 | 24 | 10110839 | 3001 | 17 |
| 00042324 | 2007_02 | 3 | 00100351.001 | 2006 | 5 | 10110852 | 3000_03 | 16 |
| 00044464 | 2006 | 20 | 00100367.001 | 2007_02 | 2 | 10110867 | 3001 | 8 |
| 00044846 | 3001 | 2 | 00100506.001 | 2002_02 | 9 | 10110867 | 3001 | 9 |
| 00045032 | 2002_02 | 18 | 00100559.001 | 2000_03 | 29 | 10110868 | 2000_03 | 30 |
| 00045032 | 2002_50 | 18 | 00100559.001 | 4002 | 1 | 10110874 | 3001 | 11 |
| 00045393 | 2007_02 | 2 | 00100560.001 | 2000_03 | 29 | 10110958 | 3000_03 | 20 |
| 00045682 | 2006 | 21 | 00100565.001 | 2005 | 16 | 10110958 | 3001 | 23 |
| 00045714 | 2001_02 | 10 | 00100793.001 | 2006 | 9 | 10110959 | 3001 | 21 |
| 00045714 | 2001_02 | 11 | 00100802.001 | 2006 | 1 | 10110960 | 3000_03 | 21 |
| 00046069 | 1001_51 | 22 | 00100825.001 | 2006 | 34 | 10110960 | 3001 | 21 |
| 00046069 | 1001_51 | 28 | 00100862.003 | 2001_02 | 11 | 10110961 | 3000_03 | 18 |
| 00046192 | 2007_02 | 25 | 00100869.001 | 2006 | 15 | 10110961 | 3001 | 20 |
| 00046299 | 2007_02 | 2 | 00100877.001 | 2005 | 2 | 10110962 | 3000_03 | 19 |
| 00046844 | 2002_02 | 28 | 00100877.002 | 2005 | 2 | 10110962 | 3001 | 19 |
| 00046844 | 2002_50 | 28 | 00100878.001 | 2005 | 1 | 10110976 | 3001 | 17 |
| 00046933 | 2005 | 20 | 00100878.002 | 2005 | 1 | 10110977 | 3000_03 | 11 |
| 00048474 | 6003_02 | 21 | 00100897.001 | 2007_02 | 15 | 10120004 | 2006 | 14 |
| 00048548 | 2002_02 | 13 | 00100899.001 | 2007_02 | 19 | 10120008 | 2007_02 | 26 |
| 00048548 | 2002_50 | 13 | 00100939.001 | 2007_02 | 20 | 10120021 | 2003_50 | 24 |
| 00048550 | 2002_02 | 23 | 00101000.001 | 2005 | 19 | 10700005 | 6003_02 | 9 |
| 00048550 | 2002_50 | 23 | 00101048.001 | 2005 | 14 | 10700176 | 2002_02 | 3 |
| 00048747 | 2002_02 | 30 | 00101070.001 | 2005 | 17 | 10700177 | 2002_02 | 2 |
| 00049209 | 6003_02 | 4 | 10020002 | 2000_03 | 1 | 10700178 | 2002_02 | 33 |
| 00049966 | 2006 | 40 | 10020018 | 2006 | 1 | 10700178 | 2002_50 | 33 |
| 00053558 | 2007_02 | 26 | 10020038 | 2000_03 | 1 | 10700232 | 2000_03 | 32 |
| 00053754 | 2007_02 | 36 | 10020038 | 2000_03 | 1 | 10700232 | 2001_02 | 7 |

| Code | No. table | Pos. | Code | No. table | Pos. | Code | No. table | Pos. |
|----------|-----------|------|-----------|-----------|------|----------|-----------|------|
| 10700281 | 2001_02 | 3 | 23000288 | 2007_02 | 11 | 34040156 | 2007_02 | 38 |
| 10700998 | 2006 | 38 | 23000289 | 2000_03 | 31 | 34040158 | 1001_50 | 22 |
| 10701007 | 2002_50 | 3 | 23000299 | 2006 | 30 | 34040177 | 2000_03 | 29 |
| 10701008 | 2002_50 | 2 | 23000299 | 2007_02 | 21 | 34040178 | 2000_03 | 3 |
| 10701018 | 6003_02 | 13 | 23000309 | 2000_03 | 10 | 34040179 | 2007_02 | 28 |
| 10701019 | 2000_03 | 26 | 23000320 | 2000_03 | 22 | 34040181 | 2000_03 | 3 |
| 10701020 | 2000_03 | 20 | 23000322 | 2000_03 | 6 | 34040182 | 2007_02 | 28 |
| 10701021 | 6003_02 | 12 | 23000332 | 2003_50 | 2 | 34040183 | 2000_03 | 29 |
| 10701023 | 6003_02 | 14 | 23000339 | 2003_50 | 15 | 34040184 | 2000_03 | 3 |
| 10701036 | 2002_02 | 36 | 23000339 | 2004_50 | 10 | 34040194 | 1001_50 | 3 |
| 10701050 | 2002_02 | 11 | 23000367 | 2002_50 | 36 | 34040197 | 2007_02 | 22 |
| 10701050 | 2002_50 | 11 | 23000400 | 2004_50 | 7 | 34040198 | 2007_02 | 23 |
| 10701051 | 2002_02 | 1 | 23000492 | 4002 | 15 | 34049006 | 2007_02 | 28 |
| 10701051 | 2002_50 | 1 | 23220001 | 2000_03 | 36 | 34049007 | 2007_02 | 28 |
| 10701056 | 3000_03 | 1 | 23220014 | 2000_03 | 37 | 34070021 | 3000_03 | 9 |
| 10701094 | 2000_03 | 1 | 24300010 | 2002_02 | 32 | 34070075 | 1001_51 | 15 |
| 10701148 | 2000_03 | 25 | 24300010 | 2002_50 | 32 | 34070075 | 3001 | 3 |
| 10701173 | 2006 | 3 | 25111006 | 2003_50 | 3 | 34070160 | 3000_03 | 11 |
| 10701206 | 6003_02 | 11 | 26220005 | 2003_50 | 4 | 34070236 | 3000_03 | 22 |
| 10701209 | 2005 | 12 | 26220005 | 2004_50 | 4 | 34070236 | 3001 | 24 |
| 10701210 | 2005 | 12 | 27350001 | 2000_03 | 17 | 34070300 | 3000_03 | 7 |
| 10701254 | 2006 | 3 | 27350001 | 2000_03 | 35 | 34100021 | 3000_03 | 5 |
| 10701324 | 3001 | 10 | 27350014 | 1001_50 | 18 | 34160024 | 2006 | 13 |
| 10701374 | 2006 | 1 | 27350014 | 2000_03 | 7 | 34200009 | 1001_51 | 29 |
| 10701400 | 3000_03 | 2 | 27350014 | 2006 | 11 | 34200071 | 2002_02 | 39 |
| 10701412 | 2007_02 | 20 | 27350014 | 2007_02 | 21 | 34200071 | 2002_50 | 39 |
| 10701424 | 2003_50 | 17 | 30001047 | 2006 | 10 | 34200071 | 3001 | 16 |
| 10701430 | 1001_50 | 23 | 30001048 | 2002_02 | 19 | 34200177 | 3000_03 | 8 |
| 10701430 | 2004_50 | 16 | 30001048 | 2002_50 | 19 | 34200288 | 2006 | 14 |
| 10701434 | 1001_50 | 9 | 30001055 | 2004_50 | 9 | 34200289 | 3000_03 | 25 |
| 10701434 | 1001_51 | 27 | 32331403 | 2005 | 10 | 34200289 | 3000_03 | 3 |
| 10701434 | 2003_50 | 12 | 32331404 | 2005 | 9 | 34200301 | 3001 | 16 |
| 10701435 | 1001_51 | 1 | 32331443 | 2002_02 | 20 | 34200323 | 2000_03 | 13 |
| 10701465 | 1001_50 | 16 | 32331443 | 2002_50 | 20 | 34200323 | 3000_03 | 15 |
| 10701466 | 1001_50 | 10 | 32331498 | 2002_02 | 14 | 34300072 | 3000_03 | 4 |
| 10701466 | 6003_02 | 6 | 32331498 | 2002_50 | 14 | 34300074 | 3000_03 | 4 |
| 10701473 | 2007_02 | 33 | 32331595 | 3000_03 | 12 | 34300075 | 3000_03 | 4 |
| 10701527 | 1001_50 | 27 | 32331613 | 1001_50 | 6 | 34300079 | 3000_03 | 4 |
| 10701552 | 4002 | 14 | 32331613 | 2003_50 | 14 | 34300098 | 3000_03 | 4 |
| 10701554 | 4002 | 7 | 32331614 | 1001_50 | 8 | 35002509 | 2000_03 | 14 |
| 10701609 | 1001_51 | 18 | 32331778 | 6003_02 | 11 | 35002513 | 2000_03 | 14 |
| 10701624 | 3000_03 | 1 | 32331780 | 2000_03 | 13 | 36130008 | 2006 | 20 |
| 10701642 | 2000_03 | 11 | 32332020 | 6003_02 | 11 | 36201035 | 2006 | 4 |
| 10701680 | 1001_50 | 19 | 32332184 | 1001_51 | 20 | 36201037 | 2002_50 | 8 |
| 10701753 | 1001_50 | 1 | 32332185 | 1001_51 | 19 | 36201038 | 2004_50 | 5 |
| 10701753 | 1001_51 | 26 | 32332186 | 1001_51 | 4 | 36220009 | 2003_50 | 5 |
| 10701758 | 1001_51 | 16 | 32332190A | 1001_51 | 10 | 36220009 | 2004_50 | 11 |
| 10701758 | 3000_03 | 6 | 32332203 | 1001_50 | 17 | 36220009 | 2006 | 20 |
| 10705232 | 2006 | 16 | 32332204 | 1001_50 | 13 | 36230021 | 4002 | 10 |
| 10705233 | 2006 | 19 | 32332204 | 6003_02 | 2 | 36322006 | 2007_02 | 4 |
| 10705529 | 2005 | 7 | 32551067A | 1001_50 | 26 | 36404013 | 2006 | 20 |
| 10705592 | 3001 | 6 | 32551068A | 1001_50 | 24 | 36404013 | 4002 | 9 |
| 10705706 | 2005 | 18 | 32551069A | 1001_50 | 25 | 36404022 | 2003_50 | 7 |
| 10705713 | 2005 | 15 | 32551117A | 1001_50 | 25 | 36404024 | 2002_50 | 7 |
| 10705714 | 2005 | 15 | 32551119A | 1001_51 | 30 | 36404053 | 2006 | 20 |
| 10705715 | 2005 | 12 | 32551383A | 1001_51 | 24 | 36404054 | 2006 | 36 |
| 10705716 | 2005 | 12 | 34010015A | 2005 | 24 | 36404056 | 1001_50 | 21 |
| 10705717 | 2005 | 18 | 34010017 | 1001_51 | 1 | 36404066 | 2002_50 | 9 |
| 10705759 | 2007_02 | 33 | 34011038A | 1001_50 | 11 | 36404068 | 2004_50 | 6 |
| 10705788 | 2007_02 | 33 | 34011038A | 6003_02 | 6 | 36405002 | 1001_51 | 23 |
| 10781313 | 1001_51 | 17 | 34020017 | 2007_02 | 3 | 36901955 | 2006 | 2 |
| 20200251 | 2000_03 | 23 | 34020034 | 2005 | 17 | 36930016 | 2003_50 | 6 |
| 23000092 | 4002 | 8 | 34020125 | 2002_02 | 35 | 36930016 | 2004_50 | 13 |
| 23000128 | 2005 | 22 | 34020125 | 2002_50 | 35 | 36930017 | 2003_50 | 16 |
| 23000194 | 2006 | 37 | 34021013 | 3000_03 | 24 | 36930017 | 2004_50 | 12 |
| 23000196 | 6003_02 | 9 | 34040123 | 6003_02 | 11 | 36930022 | 2002_50 | 6 |
| 23000277 | 1001_50 | 21 | 34040156 | 2001_02 | 12 | 36930024 | 4002 | 15 |

| Code | No. table | Pos. |
|-----------|-----------|------|
| 36930110 | 2002_02 | 10 |
| 36930111 | 2002_02 | 22 |
| 36930117 | 2002_50 | 10 |
| 36930118 | 2002_50 | 22 |
| 36990025 | 2005 | 21 |
| 36990026 | 2005 | 13 |
| 36990096 | 1001_51 | 2 |
| 37030408 | 2006 | 13 |
| 37040409 | 2002_02 | 26 |
| 37040409 | 2002_02 | 40 |
| 37040409 | 2002_50 | 26 |
| 37040510 | 2006 | 35 |
| 37040621 | 2006 | 32 |
| 37060306 | 2002_02 | 38 |
| 37060306 | 2002_50 | 38 |
| 37060330 | 1001_51 | 5 |
| 37090405 | 1001_51 | 3 |
| 37090405 | 1001_51 | 6 |
| 37113508 | 2005 | 11 |
| 37155011 | 2002_02 | 25 |
| 37155011 | 2002_50 | 25 |
| 37155011 | 6003_02 | 11 |
| 37370301 | 1001_51 | 12 |
| 37410300 | 1001_51 | 7 |
| 37410300 | 2005 | 11 |
| 37411001 | 2006 | 25 |
| 37420300 | 1001_50 | 20 |
| 37420300 | 2002_02 | 38 |
| 37420300 | 2002_50 | 38 |
| 37420601 | 2006 | 33 |
| 37430400 | 1001_50 | 13 |
| 37430400 | 1001_50 | 17 |
| 37430400 | 2006 | 13 |
| 37431600 | 2003_50 | 10 |
| 37510201 | 2004_50 | 3 |
| 37900741 | 1001_51 | 32 |
| 38120075 | 2005 | 4 |
| 38120076 | 2005 | 6 |
| 38120097 | 1001_51 | 11 |
| 38120115 | 2002_02 | 31 |
| 38120115 | 2002_50 | 31 |
| 38120119 | 2002_02 | 30 |
| 38120119 | 2002_50 | 30 |
| 38120120 | 2002_02 | 29 |
| 38120120 | 2002_50 | 29 |
| 38120127 | 1001_50 | 14 |
| 38120127 | 2007_02 | 32 |
| 38120127 | 6003_02 | 7 |
| 38120128 | 6003_02 | 10 |
| 38120209 | 6003_02 | 17 |
| 38120210 | 6003_02 | 16 |
| 38120277 | 6003_02 | 17 |
| 38120337 | 2007_02 | 20 |
| 38120340 | 1001_51 | 25 |
| 38120343 | 1001_50 | 4 |
| 38120343 | 2003_50 | 11 |
| 38120344 | 1001_50 | 2 |
| 38120344 | 1001_50 | 9 |
| 38120345V | 4002 | 16 |
| 38120580 | 2005 | 3 |
| 38120581 | 2005 | 5 |
| 38228005 | 6003_02 | 8 |
| 38228072 | 2000_03 | 16 |
| 38228072 | 2002_02 | 15 |
| 38228072 | 2002_50 | 15 |
| 38228072 | 2007_02 | 14 |
| 38228072 | 6003_02 | 18 |

| Code | No. table | Pos. |
|----------|-----------|------|
| 38228073 | 2001_02 | 1 |
| 38228073 | 2003_50 | 18 |
| 38228073 | 2004_50 | 15 |
| 38228073 | 2007_02 | 13 |
| 38228073 | 4002 | 12 |
| 38228073 | 4002 | 5 |
| 38228074 | 2007_02 | 29 |
| 39110026 | 2002_02 | 34 |
| 39110026 | 2002_50 | 34 |
| 39110038 | 2003_50 | 8 |
| 39920015 | 1001_51 | 21 |
| 39930009 | 6003_02 | 3 |
| 39930011 | 4002 | 2 |
| 40200013 | 2002_50 | 5 |
| 69000244 | 2000_03 | 15 |
| 69000288 | 2007_02 | 1 |
| 69000319 | 1001_51 | 32 |
| 69000337 | 2005 | 7 |
| 69000339 | 2005 | 8 |
| 69000415 | 2000_03 | 2 |
| 69000417 | 2006 | 2 |
| 69000424 | 1001_51 | 31 |
| 69000737 | 2007_02 | 12 |
| 69150018 | 1001_50 | 15 |
| 69150018 | 6003_02 | 7 |
| 69200073 | 2005 | 23 |
| 69200128 | 1001_50 | 12 |
| 69200128 | 6003_02 | 1 |
| 69200130 | 2007_02 | 41 |
| 69200130 | 4002 | 11 |
| 69200131 | 2007_02 | 9 |
| 69200133 | 2002_02 | 16 |
| 69200133 | 2002_50 | 16 |
| 69200134 | 2007_02 | 21 |
| 69200134 | 2007_02 | 37 |
| 69200135 | 2003_50 | 22 |
| 69200135 | 2004_50 | 14 |
| 69200135 | 2006 | 28 |
| 69200135 | 2006 | 40 |
| 69200135 | 2007_02 | 16 |
| 69200135 | 4002 | 4 |
| 69200137 | 2007_02 | 8 |
| 69200139 | 2007_02 | 17 |
| 69200140 | 2003_50 | 9 |
| 69200140 | 4002 | 13 |
| 69200141 | 2006 | 31 |
| 69200142 | 2000_03 | 5 |
| 69200147 | 1001_50 | 19 |
| 69200150 | 2007_02 | 34 |
| 69200151 | 2007_02 | 35 |
| 69200162 | 2001_02 | 5 |
| 69200164 | 2007_02 | 7 |
| 69200165 | 2007_02 | 6 |
| 69200173 | 2000_03 | 12 |
| 69200174 | 2007_02 | 38 |
| 69200187 | 2000_03 | 27 |
| 69200187 | 2007_02 | 30 |
| 69200187 | 2007_02 | 40 |
| 69200188 | 2007_02 | 39 |
| 69200190 | 2007_02 | 18 |



Alphanumeric index

Contacts

HEADQUARTERS, PRODUCTION PLANT AND R&D CENTERS

Rancilio Group s.p.a.
Viale della Repubblica 40
20010 Villastanza di Parabiago
Milano - Italy
Tel +39 0331 408200
Fax +39 0331 551437
www.ranciliogroup.com
info@ranciliogroup.com

Egro Suisse AG
Bahnhofstrasse 66
5605 Dottikon - Switzerland
Tel. +41 (0)56 616 95 95
Fax +41 (0)56 616 95 97
www.egrocoffee.com
info@egrocoffee.com

WORLDWIDE BRANCH LOCATIONS

SPAIN

RancilioGroup Espana, s.a.
Gran Via de Carlos III, 84 3ª
Edificio Trade
08028 Barcelona - Spain
Ph. +34 902 884 275
Ph. +34 934 923 414
Fax +34 934 965 701
www.ranciliogroup.com
info-es@ranciliogroup.com

PORTUGAL

Rancilio Group Portugal Lda
Estrada da Falagueira nº 68 E
2700-365 Amadora-Lisboa - Portugal
Ph. + 351 21 019 10 91
Fax + 351 21 019 10 91

Rua Nova do Seixo 1282
4465-706 Leca do Balio-Porto - Portugal
Ph. + 351 22 010 14 19
Fax + 351 22 010 14 19
www.ranciliogroup.com
info-pt@ranciliogroup.com

GERMANY

Rancilio Group Deutschland GmbH
Talstrasse 27
97990 Weikersheim - Germany
Ph. +49 7934 99 29 30
Fax +49 7934 99 29 330
www.ranciliogroup.de
info-de@ranciliogroup.com

SWITZERLAND

Egro Suisse AG
Bahnhofstrasse 66
5605 Dottikon - Switzerland
Tel. +41 (0)56 616 95 95
Fax +41 (0)56 616 95 97
www.egrosuisse.ch
info@egrosuisse.ch

USA/CANADA

RancilioGroup North America Inc.
1340 Internationale Parkway / Suite
200
Woodridge, IL 60517 - U.S.A.
Ph: +1 630 914 7900
Fax: +1 630 914 7901
Toll Free: +1 877 726 2454
www.ranciliogroup.com
info@ranciliogroupna.com

