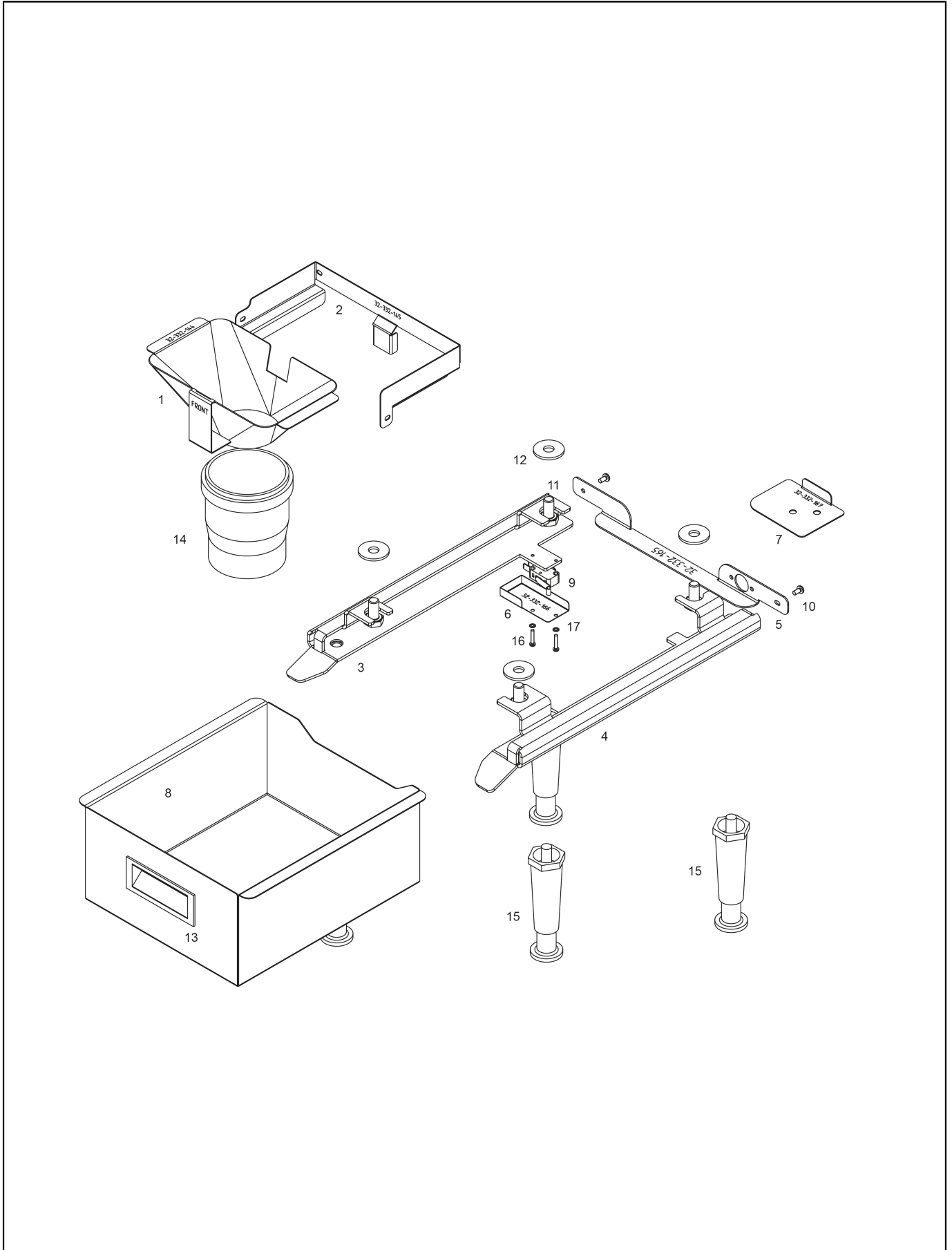


EGRO ONE PURE COFFEE

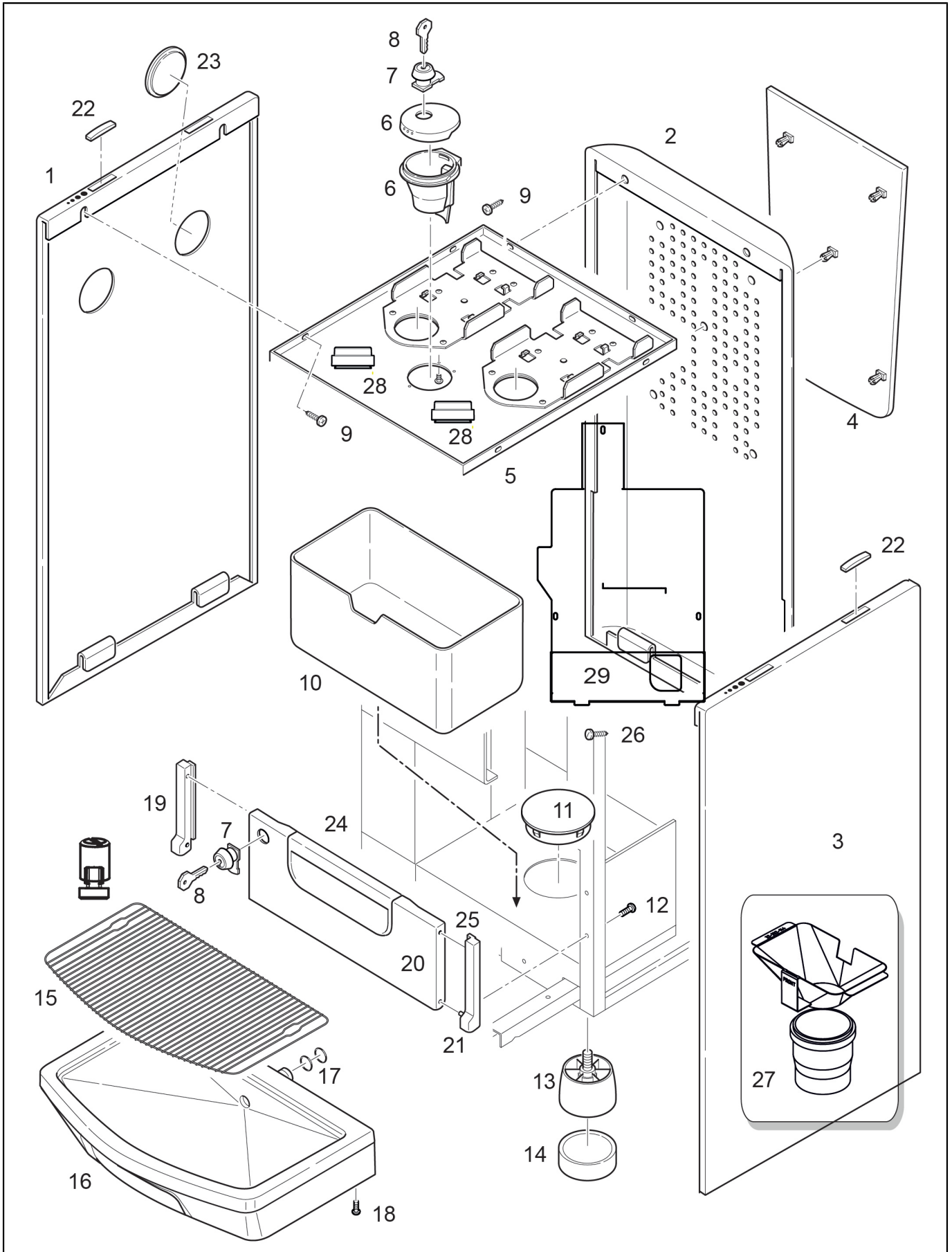


EGRO ONE

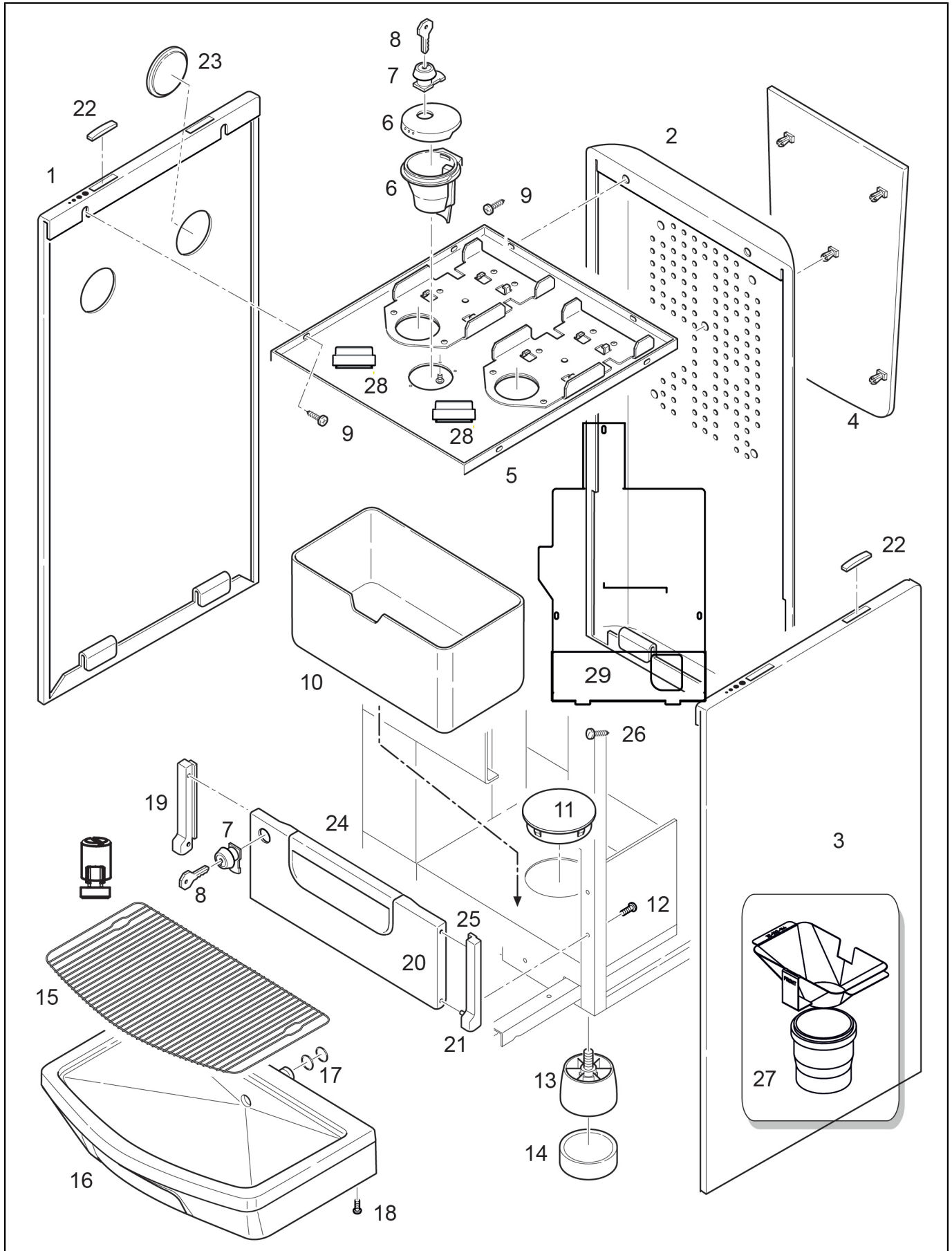
Table 1010 - GUM grounds drawer under machine.....	4
Table 1000 - Housing.....	6
Table 1001 - Front Panel.....	10
Table 2007 - Water Inlet System.....	12
Table 2012 - Water/Steam Lines PC.....	16
Table 2002 - Coffee Brewing Group (L61).....	18
Table 2000_02 - Coffee line from S/N 12007595 (FIREM boiler).....	20
Table 2005 - Bean Hopper-Grinders.....	24
Table 2002_02 - Coffee Brewing Group (BC18) from S/N 12009467	26
Table 2000 - Coffee line	30
Table 2004 - Water spout.....	34
Table 2003 - Clever Steam Tap	36
Table 2010 - Steam Boiler-Steam Valve Block PURE COFFEE.....	38
Table 2007_02 - Water Inlet System from S/N 12007595.....	40
Table 3001 - CPU Board Connections.....	44
Table 3000 - Electric Part/Electronic.....	46
Table 4000 - ISTEAM ONE.....	48
Alphanumeric index.....	50



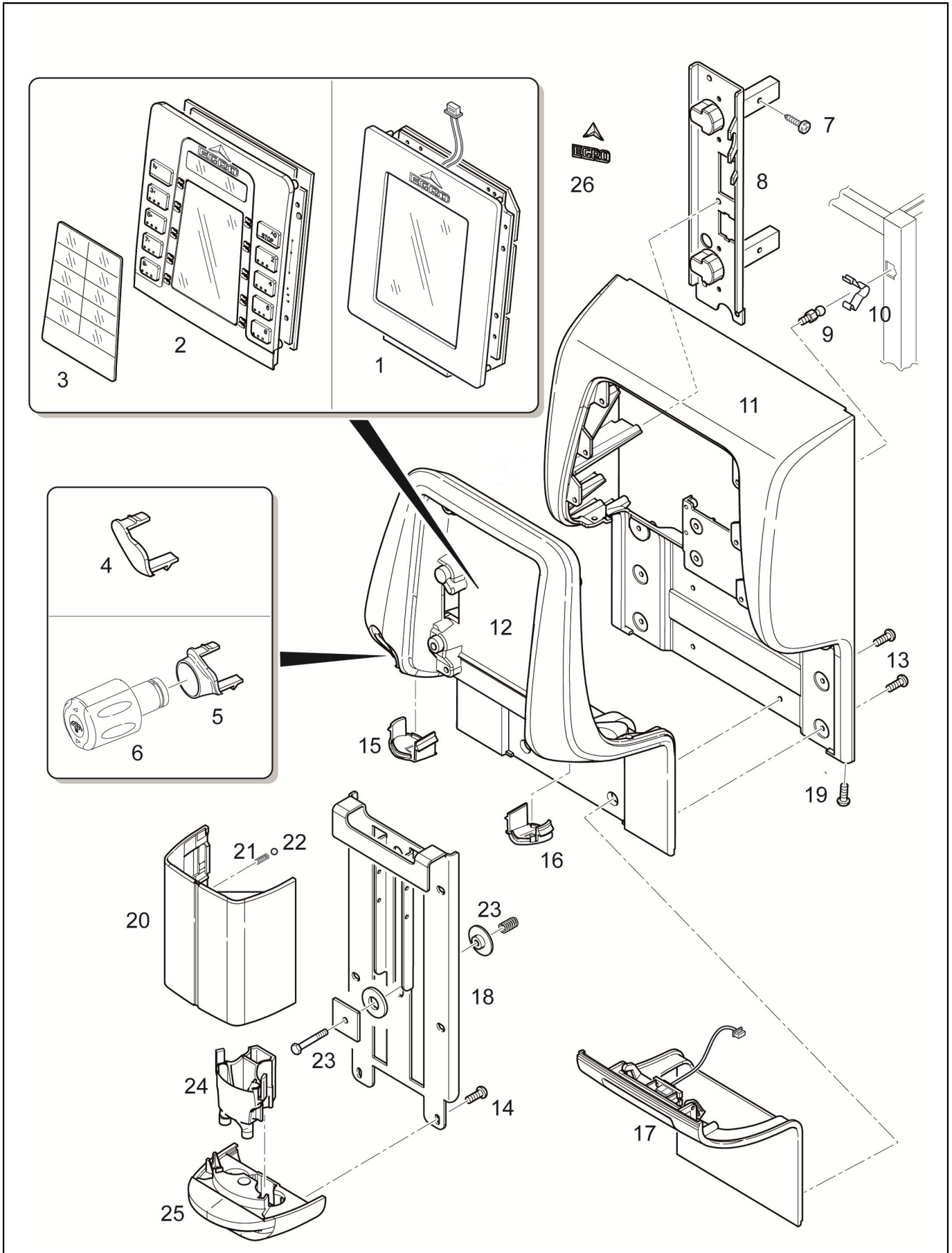
POS.	CODE	DESCRIPTION	NOTES
1	10701395	Retrofit Kit Gum	
	32332283	IMBUTO SCARICO FONDI CAFFE'ONE/2018-AI-	
2	32332284	SUPPORTO IMBUTO SCARICO FONDI CAFFE'ONE/2018-AI-	
3	32332163	SUPPORTO CASSETTO FONDI SX ONE/BYO-AI-	
4	32332164	SUPPORTO CASSETTO FONDI DX ONE/BYO-AI-	
5	32332165	SUPPORTO CAVO/TUBO CASSETTO FONDI ONE/BYO-AI-	
6	32332166	Switch Safety Cover	
7	32332167	COPERTURA DI SICUREZZA ELETTRICA ONE/BYO-AI-	
8	32332168	Coffee Waste Drawe Under Machine One/Byo	
9	34100021	Micro Switch	
10	37030408	Screw M 4 X 8	
11	37041020	VITE M10X20 TE INOX U5739	
12	37410303	RONDELLA PIANA 10,5X30X2,5 FEZN	
13	38120054	Handle Coffee Waste Drawer	
14	38910003	Drain Pipe Coffee 75X100Mm	
15	69000174	Machine Foot High	
16	00001065	Raised Cheese Head Screw M3 X 16 Mm	
17	00030494	Lock Washerm3	



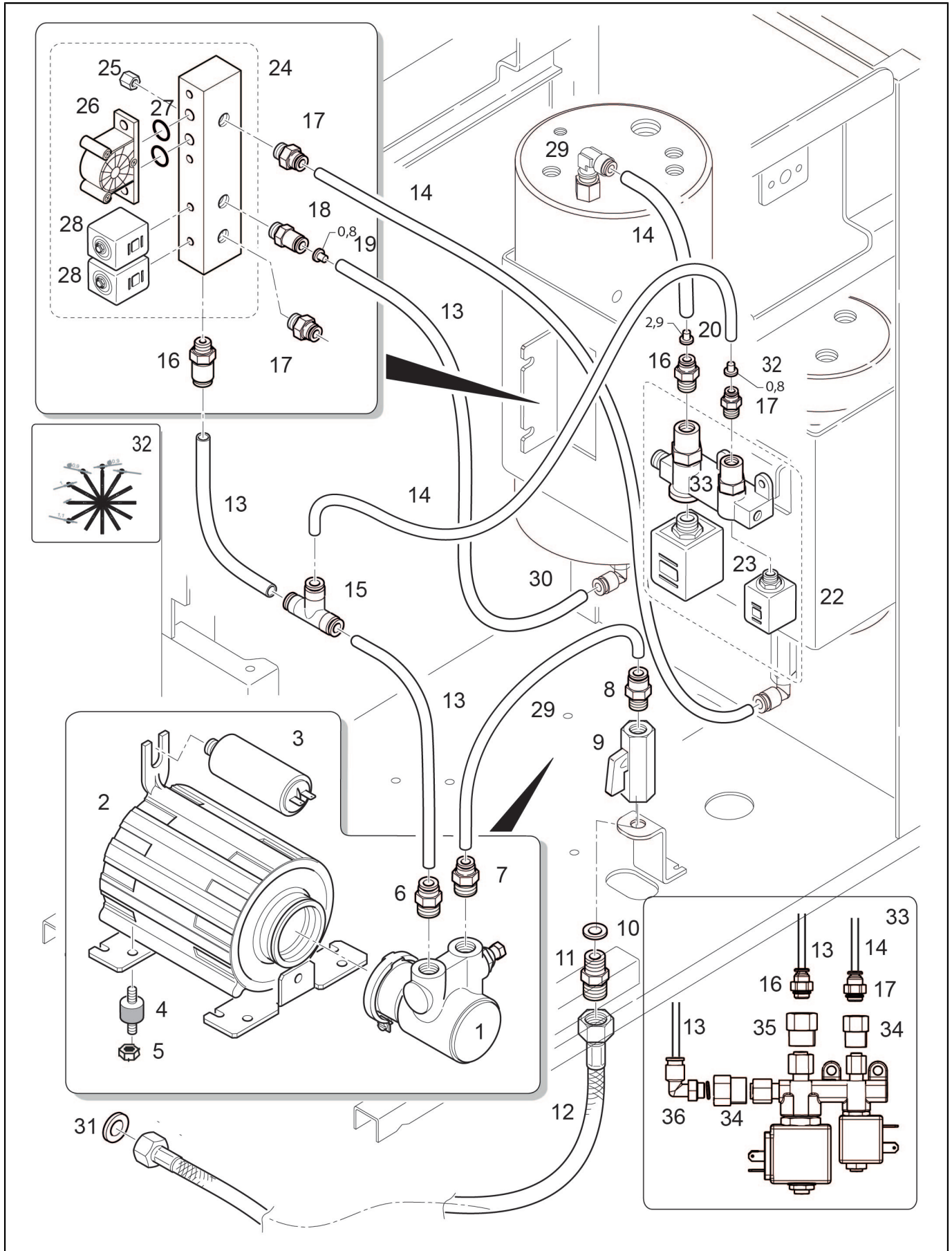
POS.	CODE	DESCRIPTION	NOTES
1	10705966	Kit Side Panel Grey With Caps	
	10705968	Kit Side Panel Grey With Holes And Caps	
2	32551057	Rear Panel	
	32551057A	REAR PANEL CUPHEATER-FRIDGE BLACK ONE	
3	10705966	Kit Side Panel Grey With Caps	
	10705979	Kit Side Panel Right With Caps Powd. Mod.	
4	38120163	Egro One Shield	
	45010208	Sticker Egro Logo Small	
	45010209	Sticker Egro Logo Big	
5	10705706	Top Lid 2 Grinders	
	10705717	Top Lid 1 Grinder	
	38221007	Cap Diam.11	
6	10705707	Cover For Powder Coffee Inlet Without Lock	
	10705708	Coffee Powder Inlet Self Assy	
7	10705528	Ronis Lock	
8	10705529	Lock Assay. Ronis M15X17,5 With Hook 25.5Mm	
	69000336	Lock 90 17 X 16	
	69000338	Serial Key Cod 1000	
9	00046844	Screw M4 X 8 Mm	
10	38120121	Coffee Waste Drawer	
11	38221017	Cap D. 54 Mm	
	38221018	Cap D. 85.7 Mm	
12	37030309	Screw M 3 X 6 Tfl Ph	
13	38123568	Machine Foot	
14	38123852	Riser For Machine Foot	
15	00054649	Spacer Pin To Drip Grid M 8 X 15 Mm	
	00055557	Cup Guide Set	
	10701413	Kit Cup Holder One	
	10781311	Drain Tray Grid	
16	00046069	Crossed Raised Cheese Head Screw 4 X 14 Mm	
	10705801	Drain Tray	
	38120072	Waste Drain Tray Insert One	
	38120318	DRAIN TRAY LOGO BYO	
17	00002240	O-Ring 14 X 1,78 Epdm 70Sh	
	36405002	O-Ring Epdm 70Sh 3050 Gray	
18	00046069	Crossed Raised Cheese Head Screw 4 X 14 Mm	
	39920015	Clamp	
19	00100997.001	Bar Left	
	38903002	BOCCOLA PERNO SPORTELLO FONDI	
	69200072	PRESSORE D.6 ONE	
20	00100986.001	Drawer Door With Lock	
	00100987.001	Drawer Door Assy	
	32331419	Waste Bin Door One	
	37040412	Screw M4 X 10 Tsp Ph	
21	00100996.001	Bar Right	
	23000136	Coffee Waste Drawer Hinge	
	37510320	Snap Ring D. 3.2	
	69200072	PRESSORE D.6 ONE	
22	38120126	Cap Side Panel One	
23	36901951	Cap For Side Panel Holes	
24	37320603	Group Fixing Cage Nut M4	
	37370301	Nut M3 Inox	
	38120097	Drawer Handle	
25	10700997	Kit Grounds Drawer Block	



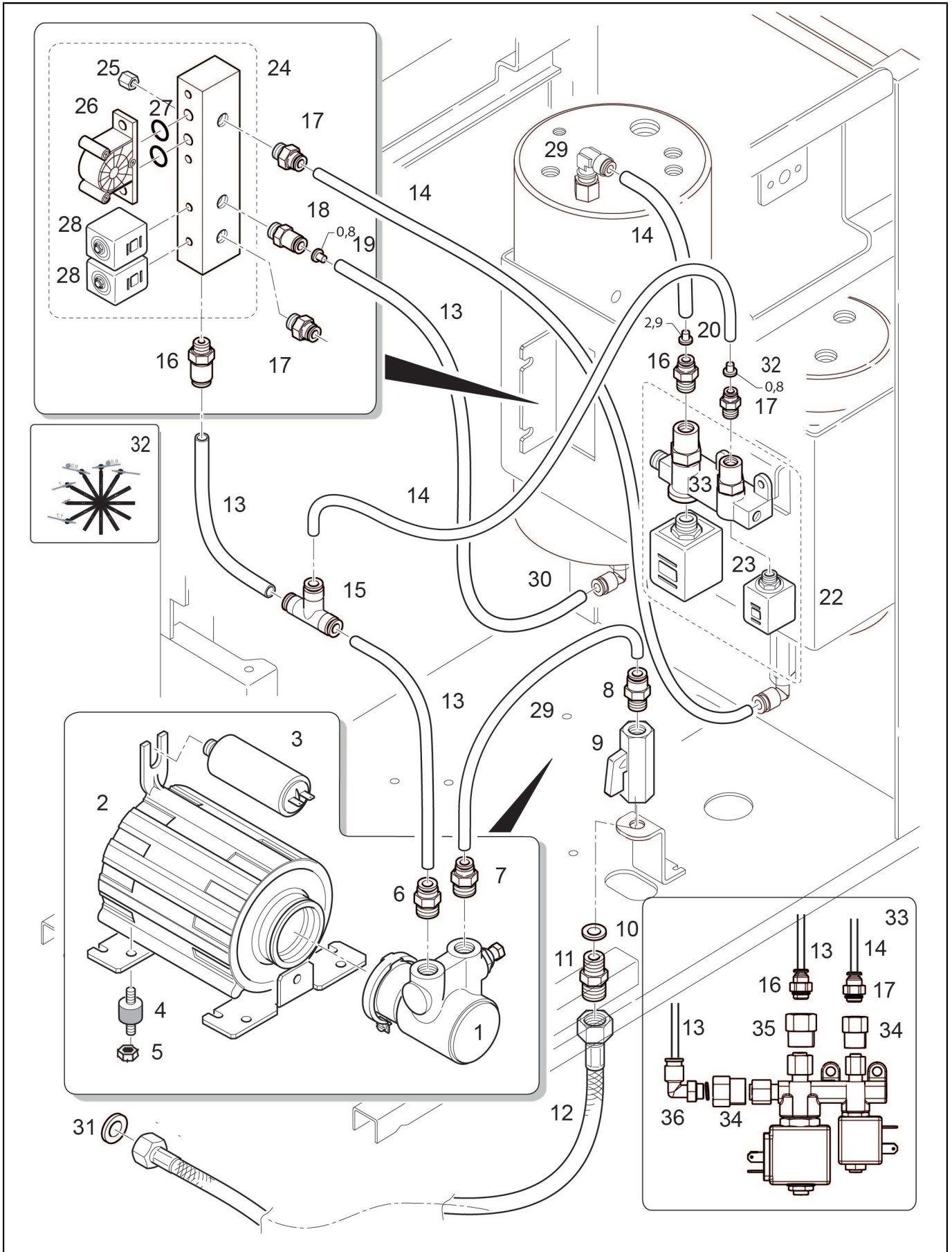
POS.	CODE	DESCRIPTION	NOTES
26	32331435	C-Bracket For Connecting With Add-Ons	
	37040410	Screw M 4 X 10	
	37320603	Group Fixing Cage Nut M4	
27	10701527	Kit Direct Grounds Funnel 2018	
28	36990025	Seal (Collar) / Grinder	
29	32331698	CHIUSURA POSTER.CASSETTO FONDI CAFFE'ONE -AI-	
	37040410	Screw M 4 X 10	



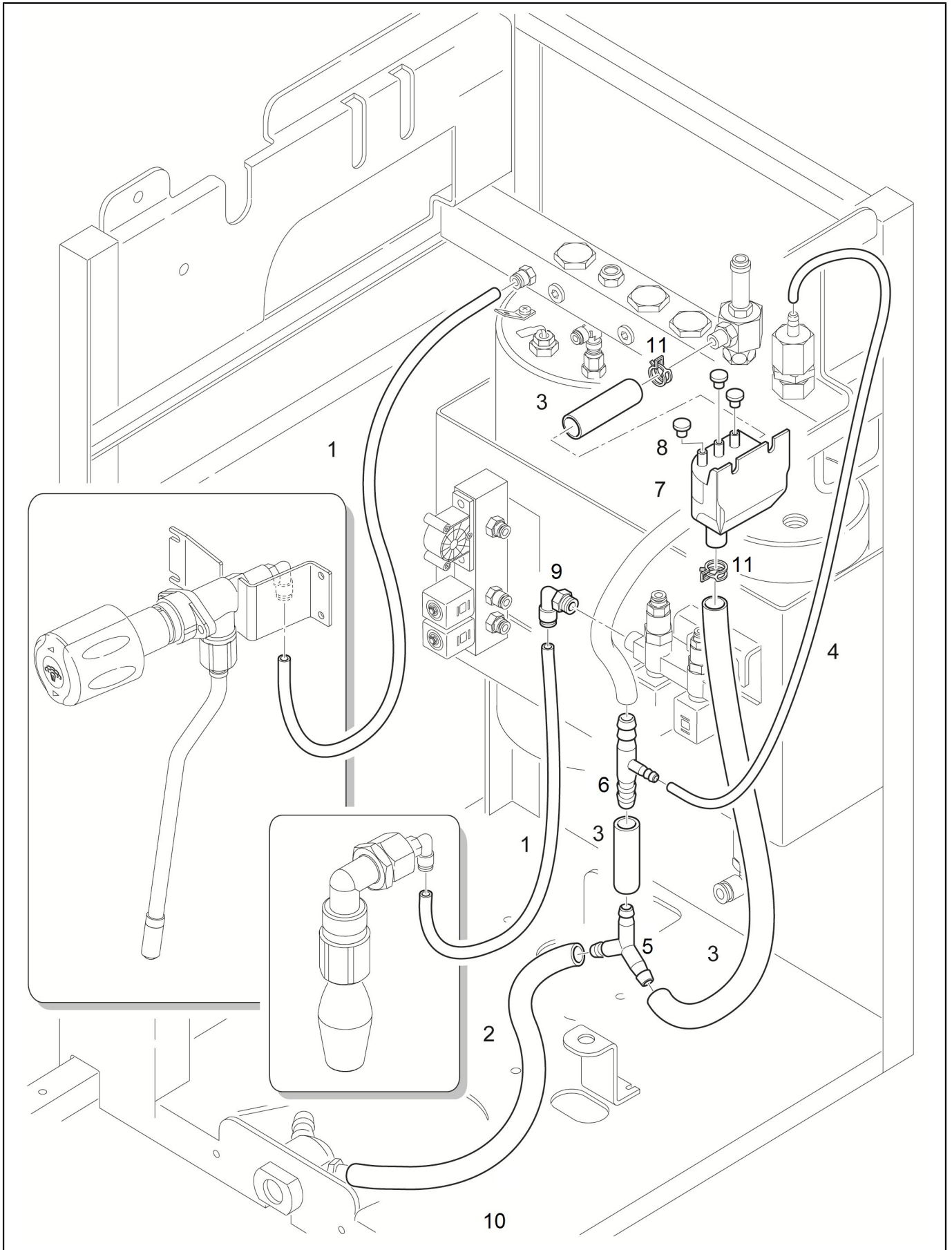
POS.	CODE	DESCRIPTION	NOTES
1	10700989	Kit Touch Screen Egro One Capacitive	
2	10701659	Kit Keypad Button One	
	10705964	Keypad One	
	45010208	Sticker Egro Logo Small	
3	38120086	Buttons Slider Label	
4	38120088	Cover Steam Handel	
5	38120087	Cover	
6	10060189	Steam Tap/16	
7	37040411	Screw M4X 10Mm Tsp Cross Inox	
8	10705710	Hing Holder Plate	
9	37901002	Lock Bolt	
10	39920006	Clamp	
11	21000010A	Front Panel One Grey	
	21000010B	Front Panel One Black	
12	38120077	Control Panel One	
13	37040410	Screw M 4 X 10	
14	37040446	Screw M4 X 45 Hh Inox	
	37420403	Elastic Washer 4 1X10X0,9 Rip Lock	
15	38120089	Cover Steam Spout	
16	38120090	Cover Hot Water Spout	
17	10705592	Usb Wired Assy One	
	34070075	Wiring Set J6 With Usb Connector (Touch Pad)	
	36901952	Rubber Seal Touchscreen One Touch	
18	00100994.001	Coffee Outlet	
	10701101	RETROFIT KIT ONE XP NMS	
	10701144	RETROFIT KIT ONE QM NMS	
	32331405	Slider Beak Coffee One	
	32331407	Coffee Outlet Baseplate	
19	37040420	Hex Socket Head Screw M4 X 20 Mm	
20	10905117	Cover	
	10905122	Cover Quick Milk	
21	39110062	At Ball Spring	
22	37900115	Ball 1/4 100	
23	00054944	SCREW WITH SPRING ASSAY.	
24	00047077	Flow Cup Self	
	00047078	Flow Cup Standardt	
	38120180	Powder Module Outlet	
25	10701274	Outlet One Old Milk System Assy.	
	10701275	Kit Outlet One Oms Central Water	
	10701276	Outlet Bracket One Oms	
26	45010208	Sticker Egro Logo Small	



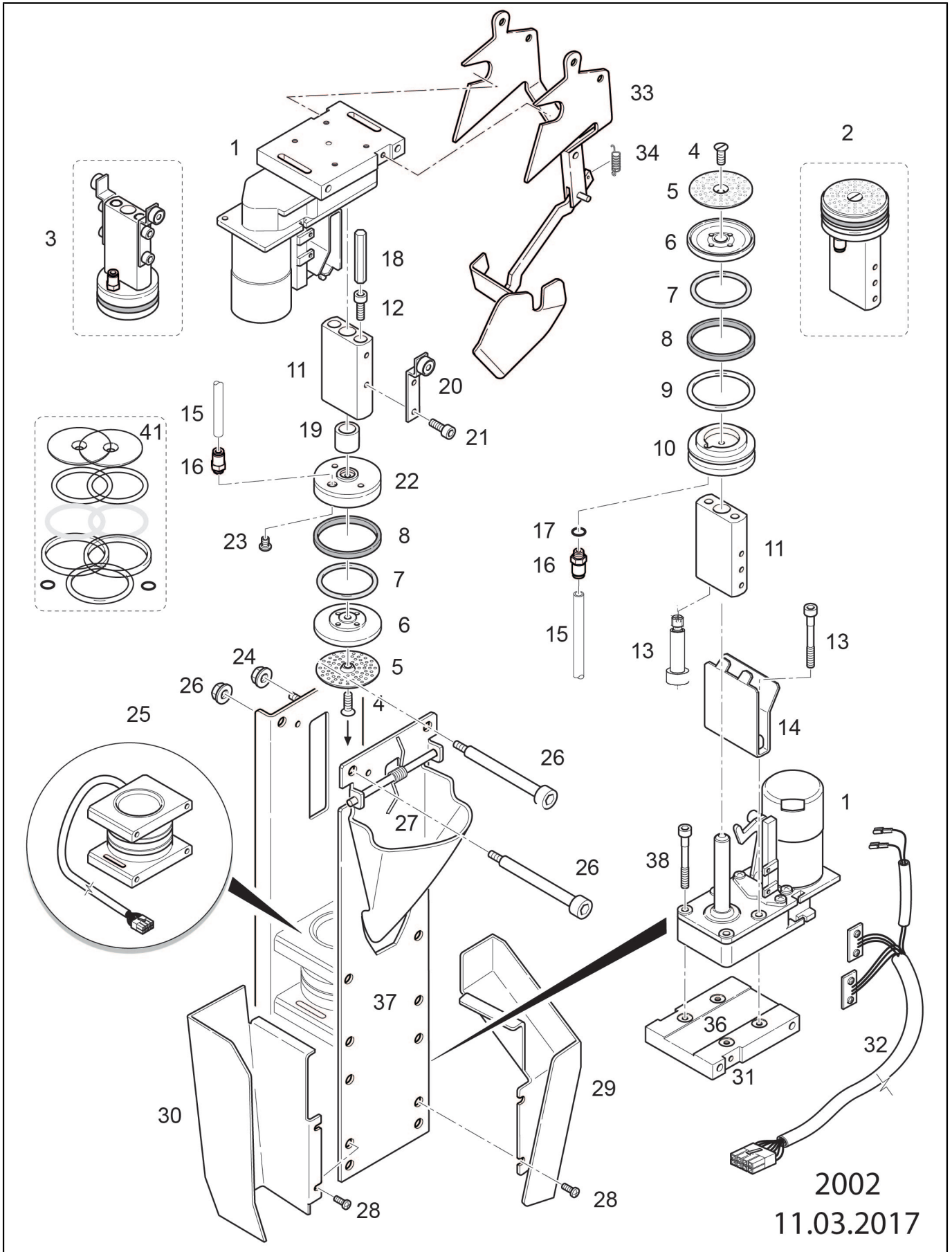
POS.	CODE	DESCRIPTION	NOTES
1	69000288	Pump Vm 100L/H	
2	00045393 00046299 00100367.001	Pump Motor 230 V / 50 Hz - 120 W Motor 200 V Pump Motor Assay. 230 V 50/60 Hz (Usa)	
3	00042324 34020017	Capacitor Assay. 7.0 Mf 200V Capacitor 6.3Mf Lt155-255	
4	36322006	Anti-Vibrating Device 20 X 20 - M6 X 12 Sh30	
5	00001522	Keps Nut M6	
6	69200165	Straight Connector 6 X G3/8	
7	69200164	Straight Connector 8 X G3/8	
8	69200137	Straight Nipple M8 X G1/4	
9	69200131	BALL TAP G1/4	
10	00058587	Gasket 15 X 7,2 X 2,1 Rubber Epdm Perox	
11	23000288	Double Nipple G3/8 X G1/4	
12	69000737	Flex Pipe Mm1500 Nsf F3/8-F3/8 Check Valve	
13	38228073	Teflon Hose Fep D. 6 X 4	
14	38228072	Teflon Hose Fep D. 4,0 X 2,5	
15	00100897.001	T - Connectord. 6 X 4 X 6 Mm	
16	69200135	Straight Connector G1/8 X 6	
17	69200134	Straight Connector G1/8 X 4	
18	69200190	Check Valve 6 X G1/8	
19	00100899.001	Flow Limiter 0,8	
20	00100939.001	Flow Limiter D. 2.9 X 4	
21	38228074	Teflon Hose Fep D. 8 X 6	
22	34049012 34049014	Operator Kit 2/2 Ways Cold Water (T22) Plunger 2/2 Cold Water T22	
23	34049011 34049013	Operator Kit 2/2 Ways Hot Water (T30) Plunger 2/2 Hot Water T30	
24	00100313.001	Cold Water Valve Block Assay.	before S/N 12011960 PIN 119415 use ACL Valves 34049007 machines produced after S/N 12011960 use SIRAI valves 34040163 su macchine precedenti la N/F 12011960 PIN 119415 utilizzare valvole ACL 34049007 per macchine successive la N/F 12011960 utilizzare valvole SIRAI 34040163
25	00046192	Spacers	
26	00053558	Flowmeter With O-Rings	
27	00055294	O-Ring Kit For Flowmeter	
28	34049006 34049007	Plunger 2/2 Water T22 (Acl) Operator Kit 2/2 Way Water (Acl) T22	to be used on machine before S/N 12011960 PIN 119415 da utilizzare su macchine precedenti la N/F 12011960 PIN 119415 to be used on machine before S/N 12011960 PIN 119415 da utilizzare su macchine precedenti la N/F 12011960 PIN 119415
29	38228074	Teflon Hose Fep D. 8 X 6	
30	69200141	Elbow Connector G1/4X6 Ppsu	
31	00019974	Gasket 14,8 X 9 X 2 Copper	
32	38120127	Restriction Ring Little White	
33	10705759	Tea Water Mixer 24V Brass	
34	69200150	Connection M12 X 1,8G	
35	69200151	Connection M10 X 1,8G	
36	69200139	Elbow Connector 4 X G1/8 Ppsu	



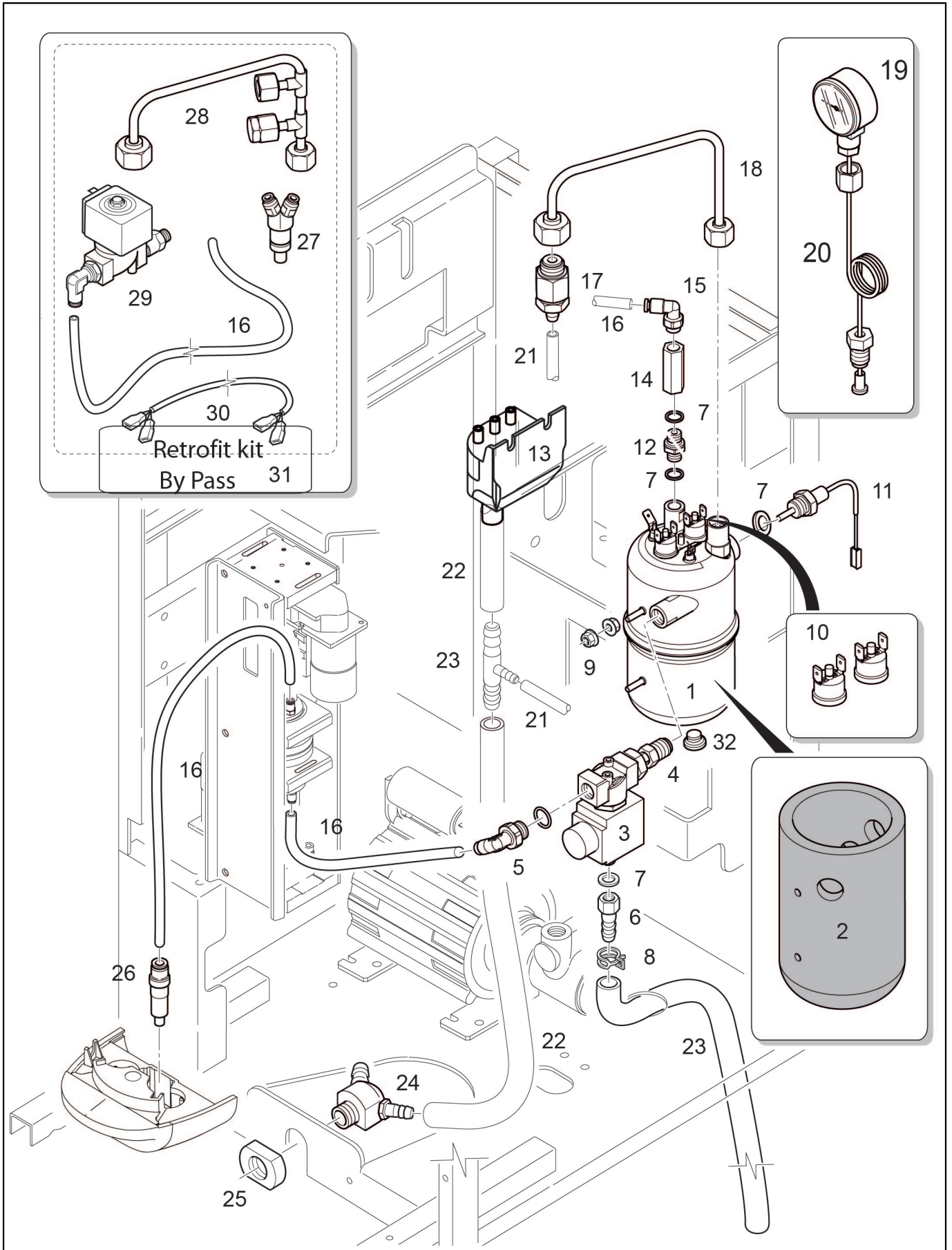
POS.	CODE	DESCRIPTION	NOTES
	69200140	Elbow Connector6 X G1/8 Ppsu	



POS.	CODE	DESCRIPTION	NOTES
1	38228073	Teflon Hose Fep D. 6 X 4	
2	00004475	Silicon Hose D. 12 X 8 Mm	
3	00004473	Silicon Hose D. 14 X 9 Mm	
4	00048474	Silicon Hose D. 7 X 4 Mm	
5	00046806	Y Unit D. 12 Mm	
6	00045714	Reducing T Connector D. 12 - 6 - 12 Mm	
7	10700232	Valve Drain Tray	
	38120109	Drain Collector Lower Part	
	38120110	Drain Collector Upper Part	
8	00004474	Silicon Hose D. 8 X 5 Mm	
9	00060233	ANGLE MALE NIPPLE D. G1/8 X 6 MM	
10	00100862.003	Drain Pipe Kit	
11	00055795	Wire Hose Clamp 17,3 Mm	

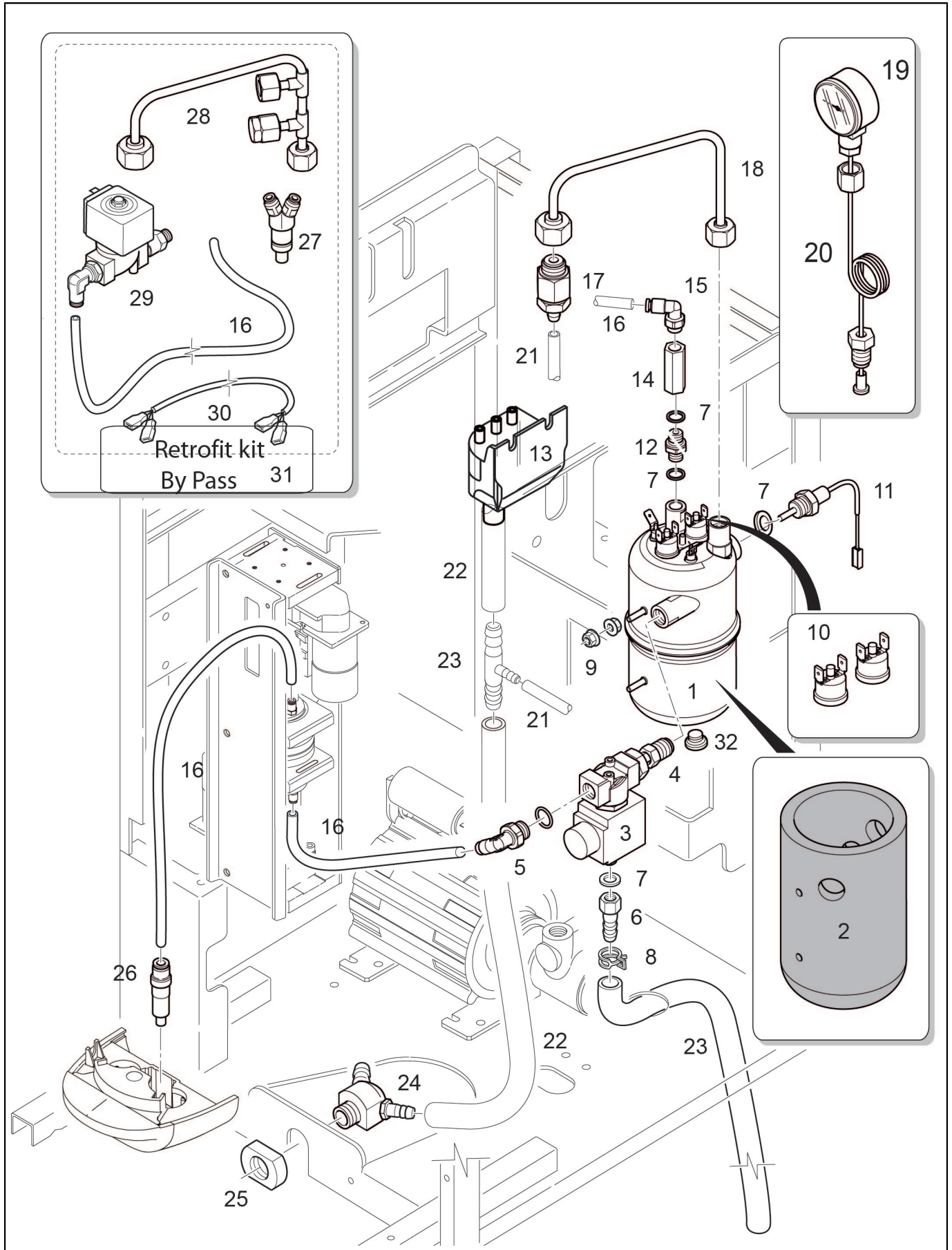


POS.	CODE	DESCRIPTION	NOTES
1	34010009	Spindle Motor 24V 61 Mm	FN 12005659 pin 83930
2	00100510.001	Lower Brewing Piston Nbup D. 44,0Mm	
3	00100514.001	Upper Piston Assay. Nbup D. 44,0Mm	
4	00001176	Countersunk Screw M4X12 Mm	
5	00060116	Brewing Sieve D. 44 Mm	
6	00054861	Filter Carrier	
7	00100136.001	O-Ring 31,35 X 3,53 Silicone 70Sh Red	
8	00039064	Turcon Ring 39 X 44 X 4	
9	00100506.001	O-Ring 36,09 X 3,53 Silicone 70Sh	
10	36930110	Lower Piston Gr. Bc18	
11	10701050	Piston Shaft With Magnet	
12	0000930		
13	00000935	Hex Socket Head Screw M5 X 30 Mm	
14	00100523.001	Piston Guide Plate	
15	38228072	Teflon Hose Fep D. 4,0 X 2,5	
16	69200133	Straight Connector D.4 X M5	
17	00060283	O-Ring 4 X 1,2 F	
18	00045032	Nut	
19	30001048	Spacer Piston Guide	
20	00054433	Bracket For Upper Piston	
21	00000928	Hex Socket Head Screw M4 X10 Mm	
22	36930111	Upper Piston Group Bc18	
23	00048550	Flow Limiter D. 0.7	
24	00001518	Keps Nut M4	
25	00054087	Brewing Cylinder Assay. With Heater	
26	00001518	Keps Nut M4	
	00054080	Bolt M4	
	00054940	Bolt With Nut M4	
27	00060858	Transmission Assay.	
28	00046844	Screw M4 X 8 Mm	
29	10705718	Shute	
30	00048747	Grounds Slide	
31	00054220	Guiding Pin	
32	00053602	Spindle-Motor Wiring With Hall Sensor	
33	00057101	Ejector Assay.	
34	00053559	Spring	
35	00053560	Spring	
36	10701049	Spindle Motor Bracket With Cylindric Pin	2nd generation spindle motor L61 (ID 34010009)
37	10054001	Brewing Group One L61	FN 12005659 pin 83930
38	37420300	Elastic Washer 3 X 0,8	
41	00057446	Gasket Kit Brewing Group Bc18	



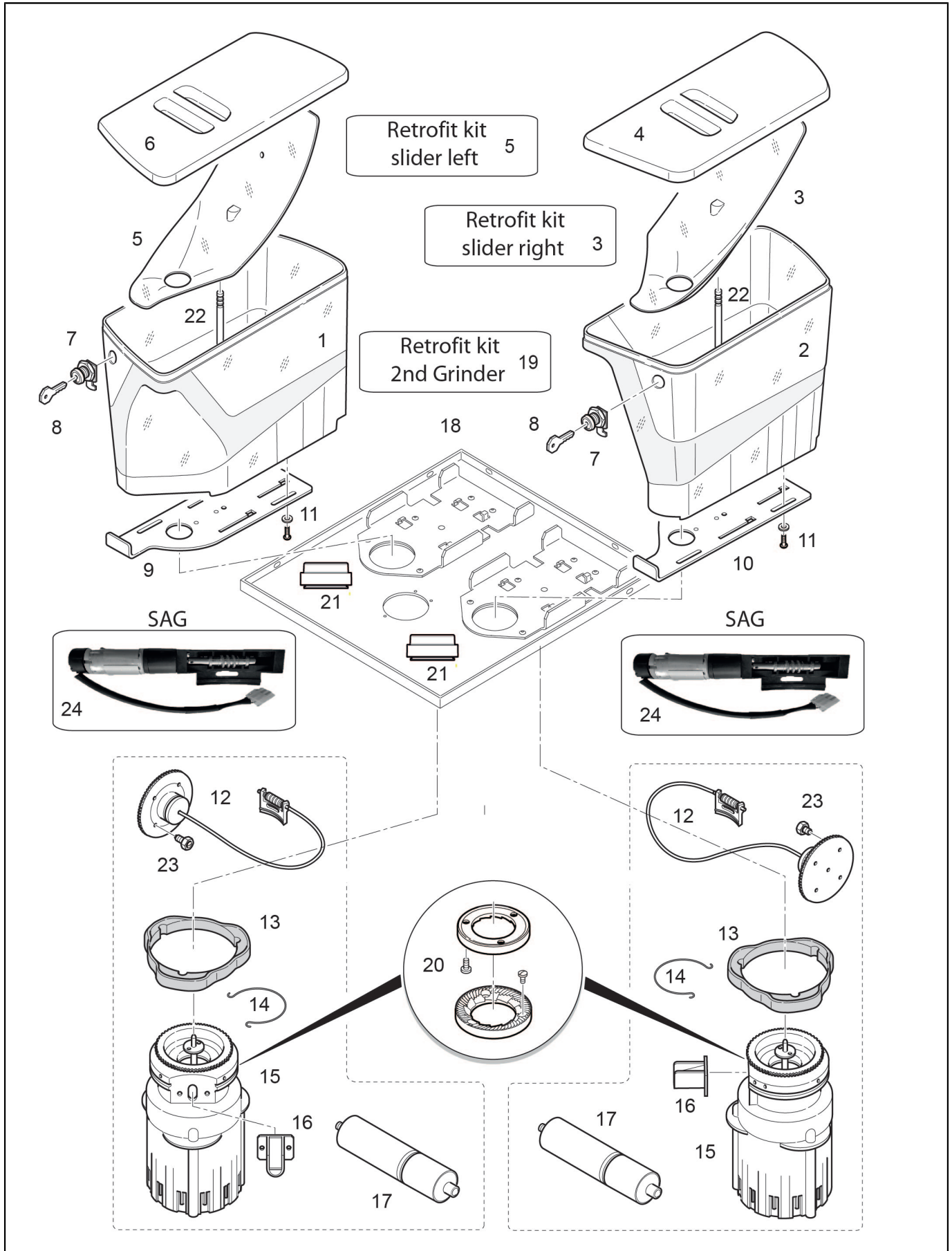
Coffee line from S/N 12007595 (FIREM boiler)

POS.	CODE	DESCRIPTION	NOTES
1	10020038 10701094	Boiler 230V 2500W Coffee Incoloy 800 Retrofit Kit Coffee Boiler 2,5Kw 0,5L Dhe	
2	69000415	Boiler Insulation	
3	00100147.001 00100149.001	Operator Kit 3/2 Way Water T30 (Acl) Plunger 3/2 Water T30 (Acl)	to be used on machine before S/N 12011960 PIN 119415 da utilizzare su macchine precedenti la N/F 12011960 PIN 119415 to be used on machine before S/N 12011960 PIN 119415 da utilizzare su macchine precedenti la N/F 12011960 PIN 119415
	10060607 27350014 34040184	Electrovalve Coffee Boiler Copper Gasket 12.5X9.8X1.5 Valve 3/2 24V T30 (Sirai)	
4	10042199	Pipe Valve-Boiler Coffee Zero	
5	69200142	Elbow Connector G1/4X4 Ppsu	
6	23000322	Rubber Holder Valve Coffee Zero-One	
7	27350014	Copper Gasket 12.5X9.8X1.5	
8	00055794	Wire Hose Clamp 159 Mm	
9	00001521	Keps Nut M5	
10	32331780 34200294	Thermostat Fixing Bracket Clicson Thermostat 127 One	
11	10701642	Temperature Sensor With O-Ring	
12	00054064	Threaded Male Nipple (Usa)	
13	10700232 38120109 38120110	Valve Drain Tray Drain Collector Lower Part Drain Collector Upper Part	
14	69200173	Check Valve 4 X G1/8	
15	69200142	Elbow Connector G1/4X4 Ppsu	
16	38228072	Teflon Hose Fep D. 4,0 X 2,5	
17	10060006 10060479 27350001	Nut And Steam Cock Gasket Expansion Valve 8 X G 3/8 Gasket 3/8 X 1 Copper	
18	10042099	PIPE EXPANSION VALVE COFFEE BOILER	
19	35002509	Manometer Pompe 0-16 D. 44	
20	69000244	Pipe Pump Manometer	
21	00004474	Silicon Hose D. 8 X 5 Mm	
22	00052557	Silicon Hose D. 18 X 12 Mm	
23	00045714	Reducing T Connector D. 12 - 6 - 12 Mm	
24	00004475	Silicon Hose D. 12 X 8 Mm	
25	23000135	Nut Drain Connection	
26	00002195 00047934	O-Ring 5 X 1 Epdm 70Sh Pressure Valve	
27	00050095	Pressure Valve By Pass	
28	10046062	Pipe Expansion Valve+Boiler Coffee	
29	10060606 34040177 34040180 34040183	Electrovalve Powder-Bypass Plunger 2/2 T30 (Sirai) MI316 Operator Kit 2/2 Ways T30 24V Sirai Valve 2/2 24V T30 (Sirai)	to be used only on machine with SIRAI Valve (34040162) da utilizzare solo su macchine con valvola Sirai (34040162) to be used only on machine with SIRAI valve 34040162 da utilizzare solo su macchine con valvola SIRAI 34040162
30	10110704	Wiring Set J31 By Pass One	

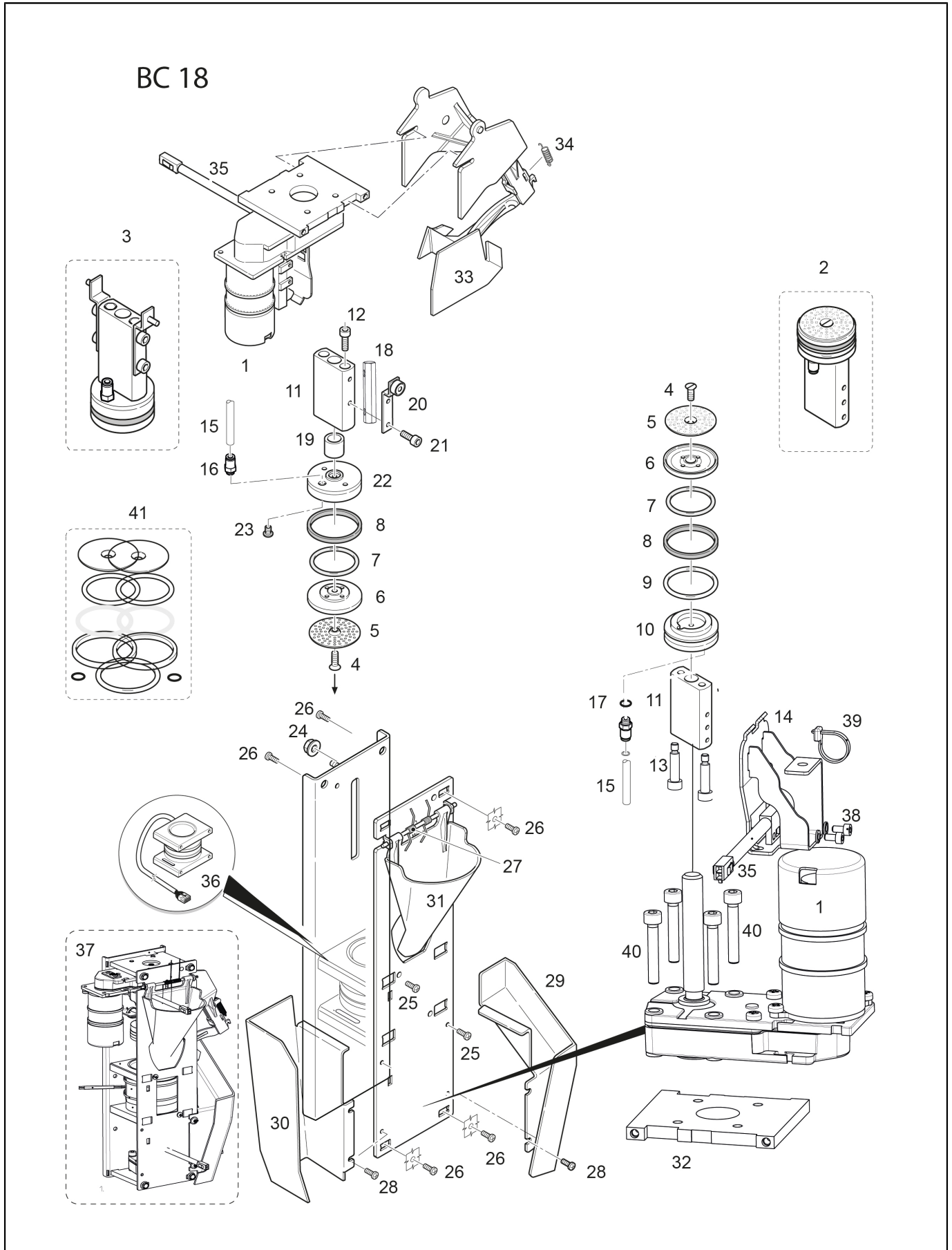


Coffee line from S/N 12007595 (FIREM boiler)

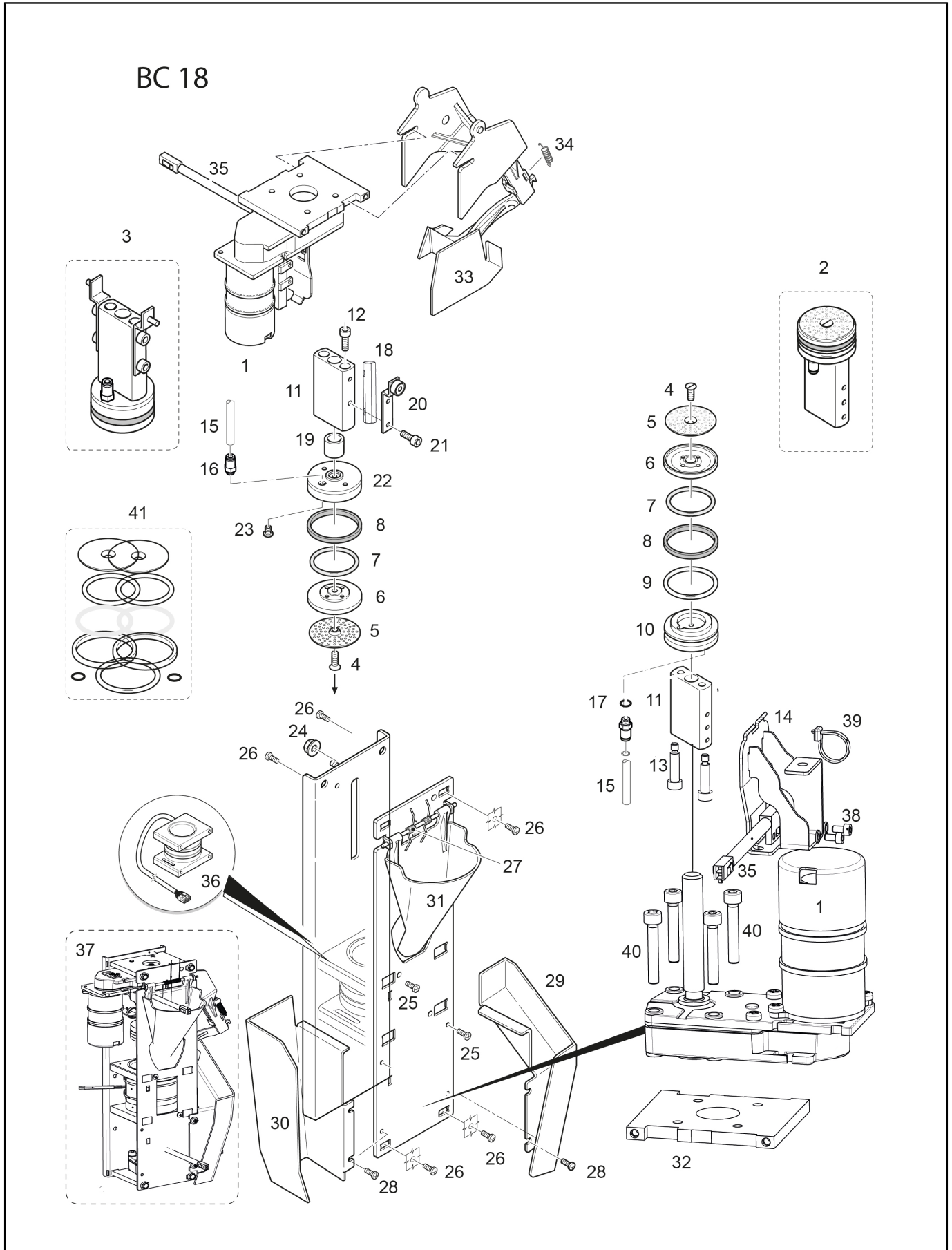
POS.	CODE	DESCRIPTION	NOTES
31	10701148	Retrofit Kit Bypass With 2,5Kw Boiler	only for FIREM or DHE Boiler
32	23000299	Cap G1/8 Boiler One/Zero	
	27350014	Copper Gasket 12.5X9.8X1.5	



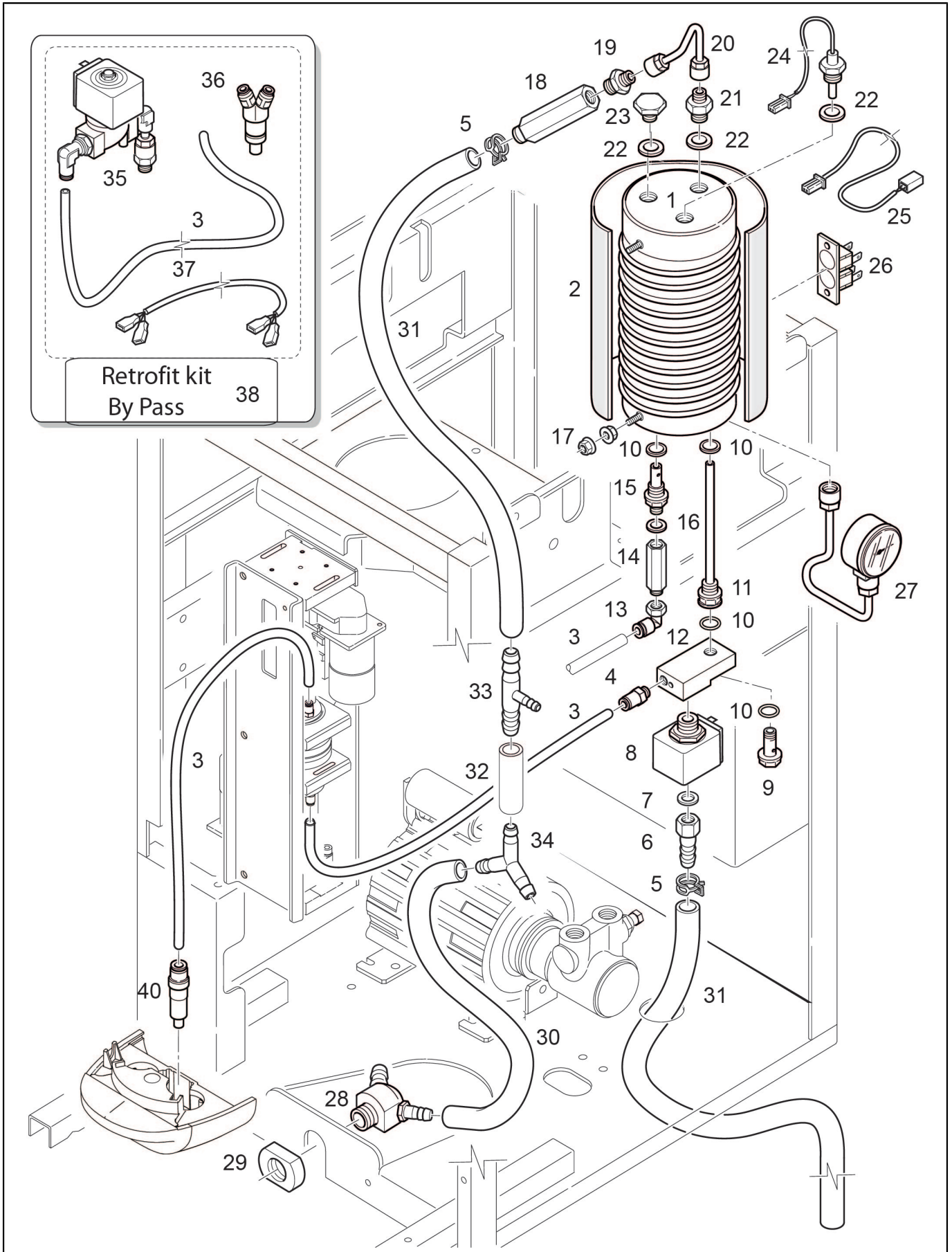
POS.	CODE	DESCRIPTION	NOTES
1	00100878.001	Bean Hopper Assay. Left Without Lock	
	00100878.002	Bean Hopper Assay. Left With Lock	
2	00100877.001	Bean Hopper Assay. Right Without Lock	
	00100877.002	Bean Hopper Assay. Right With Lock	
3	38120580	Slider Bean Hopper Right One/15	
4	38120075	Lid For Bean Hopper Right	
5	38120581	Slider Bean Hopper Left One/15	
6	38120076	Lid For Bean Hopper Left	
7	10705529	Lock Assay. Ronis M15X17,5 With Hook 25.5Mm	
	69000337	Lock 90 M15 X 17,5	
8	69000339	Serial Key Cod 200C	
9	32331404	Slider Beans Hopper Left	
10	32331403	Slider Beans Hopper Right	
11	37113508	Selfscrew M3X8	
	37410300	Plane Washer D3.2X9	
12	10701209	Grinder Adjustment Right/15	
	10701210	Grinder Adjustment Left/15	
	10705715	Grinder Adjustement Left (Welded Frame)	
	10705716	Grinder Adjustment Right (Welded Frame)	
13	36990026	Rubber Silent Block One	
14	00101048.001	Stop Spring	
15	10705713	Grinder Assay. 220V - 50/60Hz Right	
	10705714	Grinder Assay. 220V - 50/60Hz Left	
16	00100565.001	Powder Spout(Standard)	
17	00101070.001	Capacitor 14 Mf 400Vac P2 UI	
	34020034	Capacitor 12,5Mf 450V UI	
18	10705706	Top Lid 2 Grinders	
	10705717	Top Lid 1 Grinder	
19	00101000.001	Retrofit Kit 2Nd Grinder	
20	00046933	Grinder Plates, Pair D. 54Mm With Screw	
21	36990025	Seal (Collar) / Grinder	
22	23000128	Pin Bean Hopper One Self	
23	69200073	Blocking Srewm8	
24	34010015A	Motor 24V Sag With Encoder	



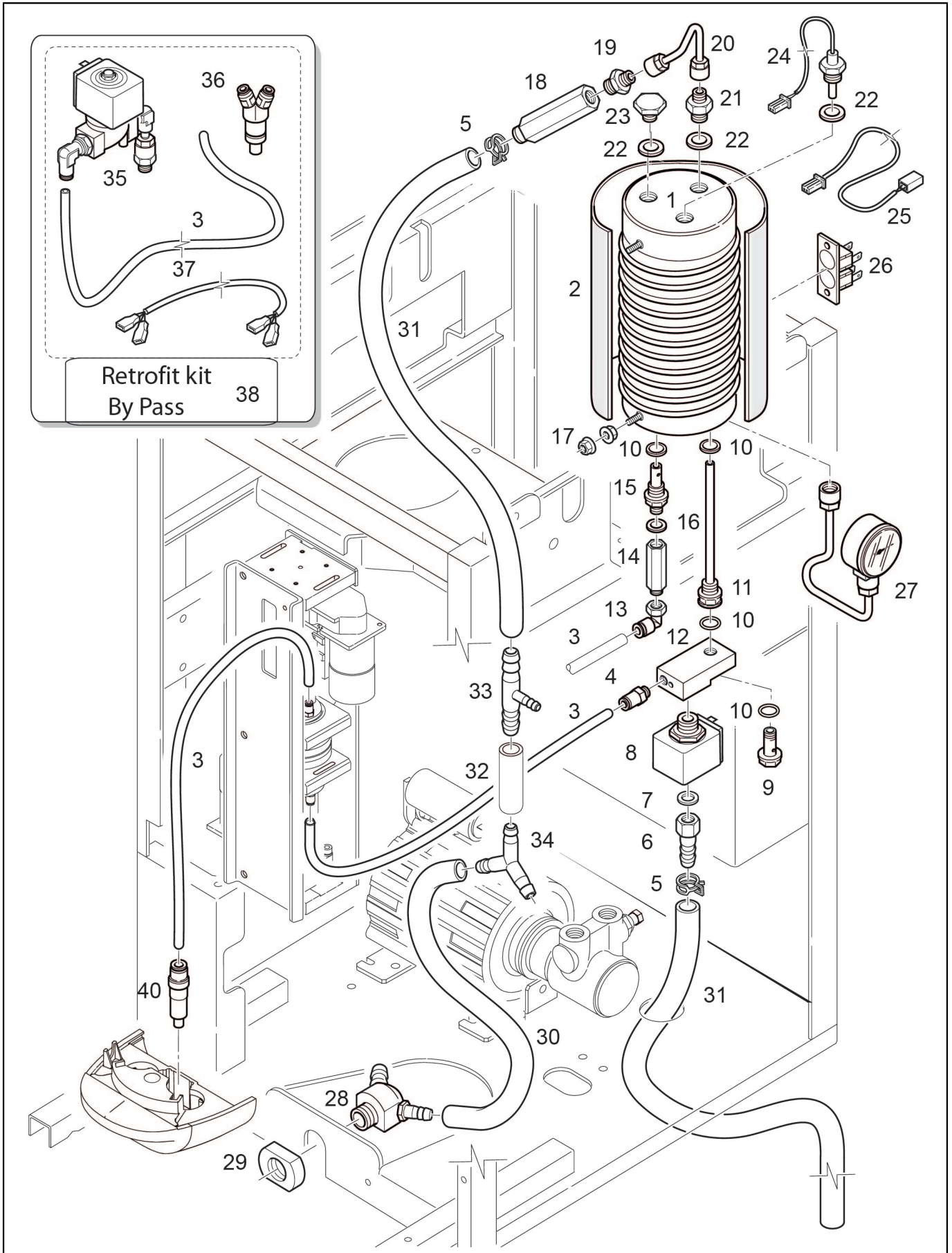
POS.	CODE	DESCRIPTION	NOTES
1	10701051	Spindle Motor With Sensor	for Egro ONE: S/N 12009467 PIN 108293
2	10700177	Lower Piston Bc18	
3	10700176	Upper Piston Bc18	
4	00001176	Countersunk Screw M4X12 Mm	
5	00060116	Brewing Sieve D. 44 Mm	
6	00054861	Filter Carrier	
7	00100136.001	O-Ring 31,35 X 3,53 Silicone 70Sh Red	
8	00039064	Turcon Ring 39 X 44 X 4	
9	00100506.001	O-Ring 36,09 X 3,53 Silicone 70Sh	
10	36930110	Lower Piston Gr. Bc18	
11	10701050	Piston Shaft With Magnet	piston shaft for BC18, ATTENTION to the magnet position. (could be used also on L61 or previous groups, put the magnet on the opposite side) albero pistone per BC18, ATTENZIONE alla posizione del magnete. (può essere utilizzato su gruppi L61 o precedenti posizionando al contrario il magnete)
12	00000930	Hex Socket Head Screw M5 X 25 Mm	
13	00048548	Hex Socket Head Screw For Peek Pistonm4 X 15 Mm	
14	32331498	Piston Guide Reed	
15	38228072	Teflon Hose Fep D. 4,0 X 2,5	
16	69200133	Straight Connector D.4 X M5	
17	00060283	O-Ring 4 X 1,2 F	
18	00045032	Nut	
19	30001048	Spacer Piston Guide	
20	32331443	Bracket Upper Piston	
21	00000928	Hex Socket Head Screw M4 X10 Mm	
22	36930111	Upper Piston Group Bc18	
23	00048550	Flow Limiter D. 0.7	
24	00001521	Keps Nut M5	
25	37155011	Screw Atf Pt 4X10 Tcb Ph Inox	
26	37040409	Screw M4 X 8 Te	
27	00060858	Transmission Assay.	
28	00046844	Screw M4 X 8 Mm	
29	38120120	Spindle Motor Protection	
30	00048747	Grounds Slide	Fit for all generation brewing unit (L61/BC18)/ passt für alle Generationen von Brühgruppen (L61/BC18)
	38120119	Grounds Slider	does not fit for Automatic spout - use metal version 00048747 / passt nicht für Automatischen Auslauf - Metall Ausführung verwenden 00048747
31	38120115	Coffee Powder Funnel	
32	24300010	Spindle Motor Plate	
33	10700178	Ejector Brewing Group	
34	39110026	Spring Ejector	
35	34020125	End Switch Spindle Motor	
36	10701036	Brewing Chamber Bc18	
37	10054002	Brewing Group Bc18	
38	37060306	Screw M3 X 6 Tcei	
	37420300	Elastic Washer 3 X 0,8	
39	34200071	Fixing Cable Clamp	
40	00000935	Hex Socket Head Screw M5 X 30 Mm	



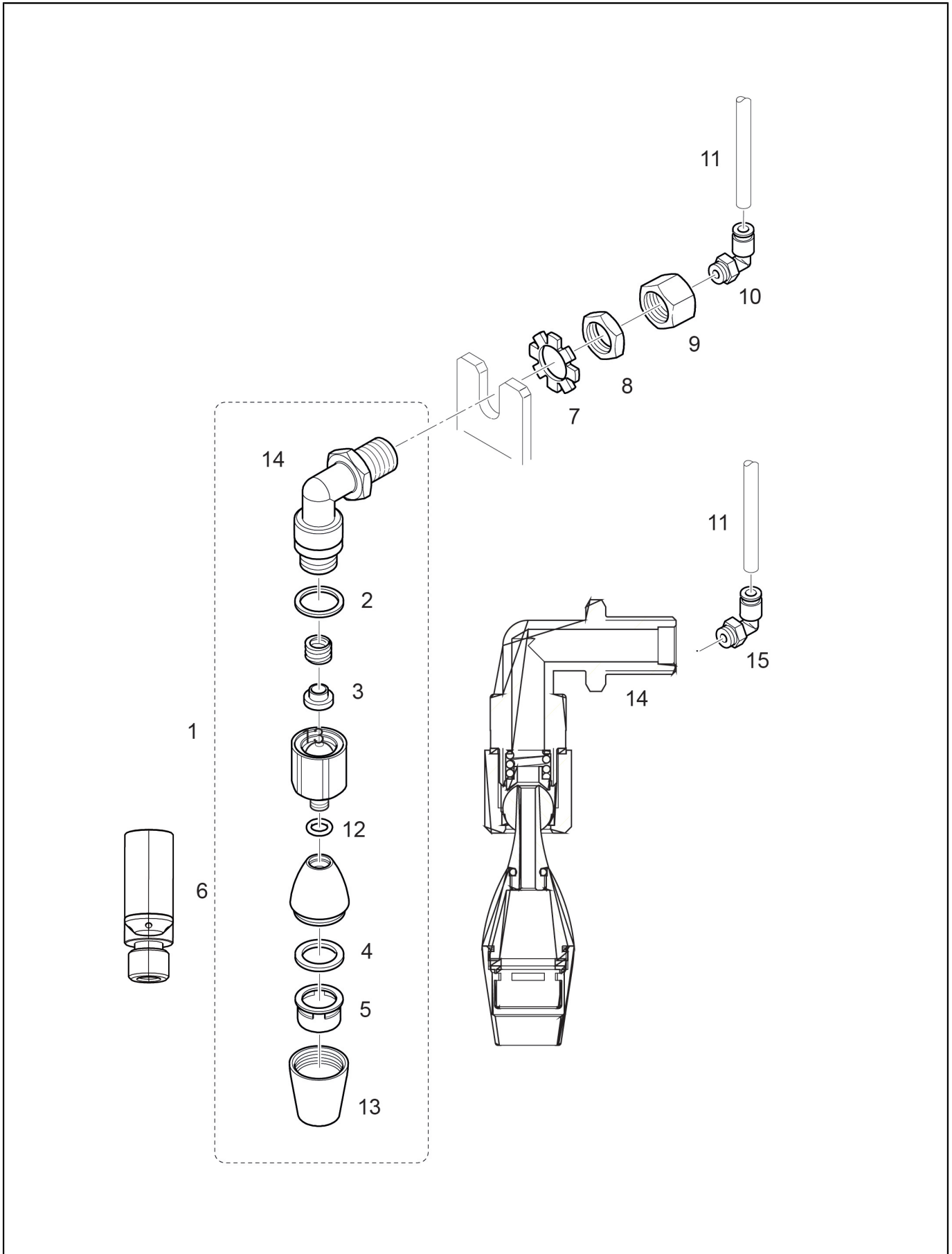
POS.	CODE	DESCRIPTION	NOTES
	37040409	Screw M4 X 8 Te	
41	00057446	Gasket Kit Brewing Group Bc18	



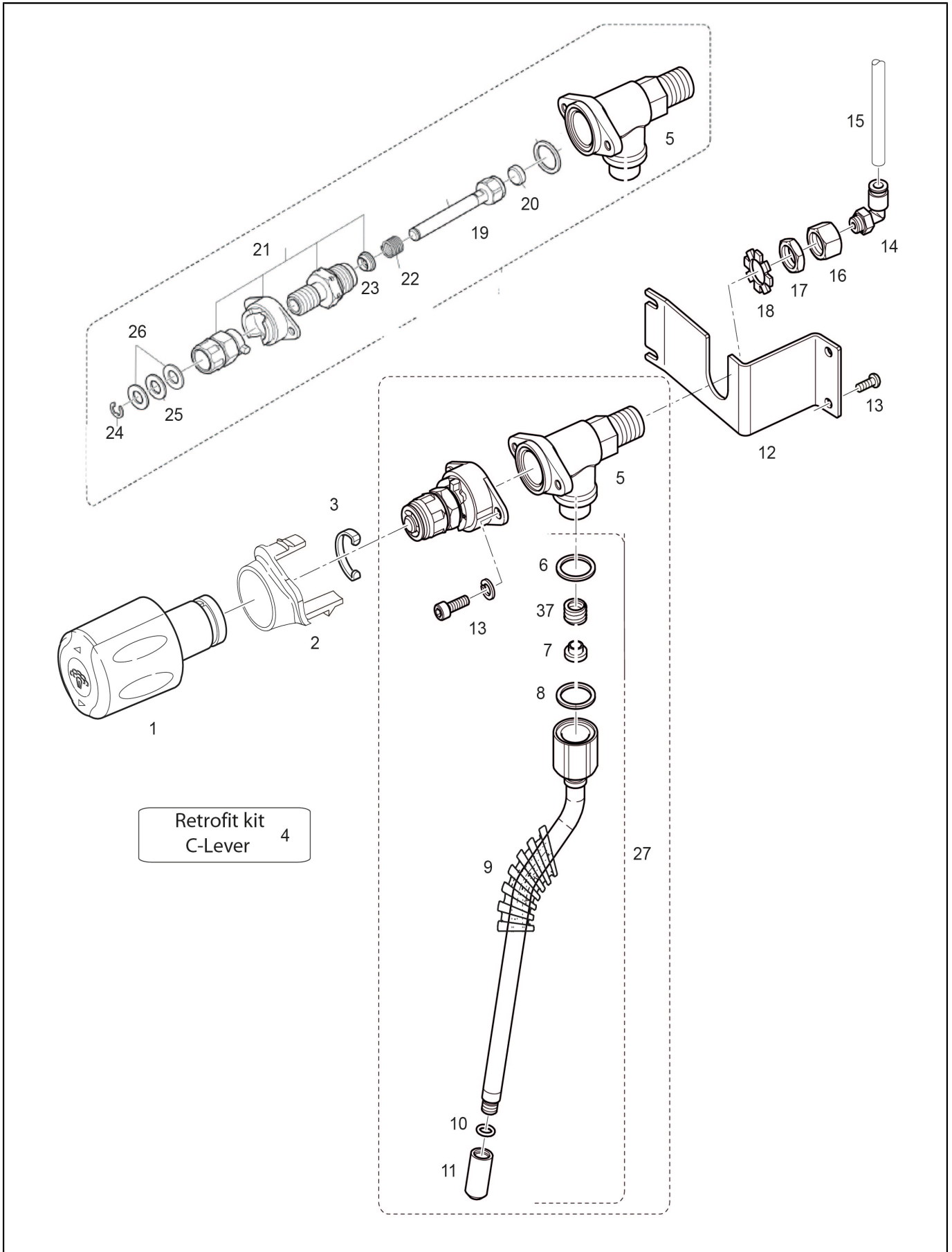
POS.	CODE	DESCRIPTION	NOTES
1	00100804.001	Boiler 3000W Coffee Assy.	
2	00054429 36901955	Insulation With Adhesive Tape Sticky Tape 3M 50Mmx55Mt	
3	38228072	Teflon Hose Fep D. 4,0 X 2,5	
4	00055941 69200133	O-Ring Fkm V Straight Connector D.4 X M5	USA machines
5	00055794	Wire Hose Clamp 159 Mm	
6	23000322	Rubber Holder Valve Coffee Zero-One	
7	27350014	Copper Gasket 12.5X9.8X1.5	
8	00100147.001 00100149.001	Operator Kit 3/2 Way Water T30 (Acl) Plunger 3/2 Water T30 (Acl)	
9	00054923	Hollow Screw With O-Ring	
10	00002240	O-Ring 14 X 1,78 Epdm 70Sh	
11	00054107 00054920	Connection To Boiler Withdrawal Connection To Boiler Withdrawal With O-Ring	
12	00053785	Valve 3/2 Brewing	
13	69200139	Elbow Connector 4 X G1/8 Ppsu	
14	00054067	Check Valve D. G 1/8	
15	00057567	Adapter Nippled. G 1/4 X G 1/8	
16	27350014	Copper Gasket 12.5X9.8X1.5	
17	00001521	Keps Nut M5	
18	10060605	Pressure Relief Valve 12 X G1/4	
20	10705179 10705185	Expansion Valve Pipe Assy. Pressure Relief Valve With Pipe	Rohr zu Expansionsventil / Pipe for expansion valve
21	00100059.001	Double Nipple G 1/4 X G 1/4	
22	00044464	Gasket 16,5 X 13,2 X 1,5 Copper	
23	00100105.001	Joint Cap G 1/4M 1/4F	
24	10700268 10701642	Retrofit Kit Temp. Sensor One-S50 Temperature Sensor With O-Ring	
25	10110729	Extension Cable Temperature Sensor	
26	00058836	Temperature Limiter 250 C Twin	
27	10700101 10705175 35002511	Manometer 25 Bar With Pipe Manometer-Boiler Coffee Pipe Manometer Coffee Boiler D.40 0-25 Bar Cl 1,6	
28	10705809	Drain Tray Connection	
29	23000135	Nut Drain Connection	
30	00004475	Silicon Hose D. 12 X 8 Mm	
31	00004473 00100862.003	Silicon Hose D. 14 X 9 Mm Drain Pipe Kit	
32	00004473	Silicon Hose D. 14 X 9 Mm	
33	00045714	Reducing T Connector D. 12 - 6 - 12 Mm	
34	00046806	Y Unit D. 12 Mm	
35	00054430 00100559.001 00100560.001	Valve 2/2 24V Hot Water Operator Kit 2/2 Way Water T30 (Acl) Plunger 2/2 Water T30 (Acl)	
36	00050095	Pressure Valve By Pass	
37	10110704	Wiring Set J31 By Pass One	
38	00101001.001	Retrofit Kit By Pass	
40	00002195 00002207 00047934 00050095 00050096	O-Ring 5 X 1 Epdm 70Sh O-Ring 8 X 1 Epdm Pressure Valve Pressure Valve By Pass Coffee Spout Without Checkvalve	



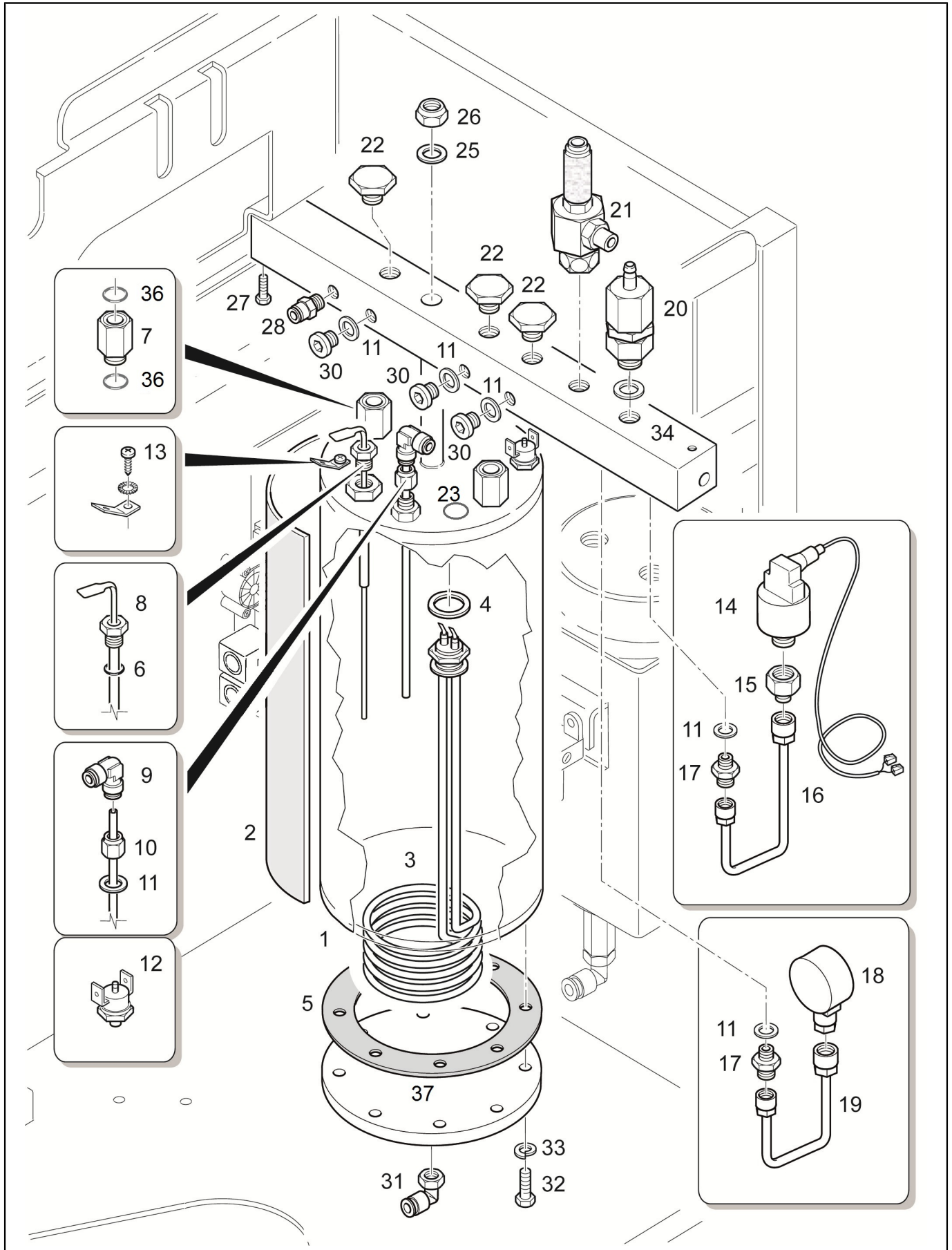
POS.	CODE	DESCRIPTION	NOTES
	00054647	Hot Water Spout By Self Service	



POS.	CODE	DESCRIPTION	NOTES
1	10705245	Connection+Movement Water Inox	
2	36220009	Gasket Nut Note Teflon	
3	36930017	Teflon Gasket For Steam Wand Nut	
4	36301040	O-Ring Filter Jet Breaker	
5	10049014	Water Outlet	
	25135019	Mixing Nozzle	
6	23000144	Extension Inox M10 X 23Mm	
	25128014	Extension Inox M10 X 76Mm	
	25128015	Extention Inox M10 X 59Mm	
7	37431600	Outer Toothed Washer D16	
8	26220005	Flat Nut 3/8	
9	00100855.001	Sleeve	
10	69200140	Elbow Connector6 X G1/8 Ppsu	
	69200146	Elbow Connector 6 X G1/8	
11	38228073	Teflon Hose Fep D. 6 X 4	
12	36404022	O-RING 6,4 X 1,9 R5A	
13	25135017	Upperpart Water Sprayer	
14	20200113	Hot Water Connection Brass	
15	69200140	Elbow Connector6 X G1/8 Ppsu	

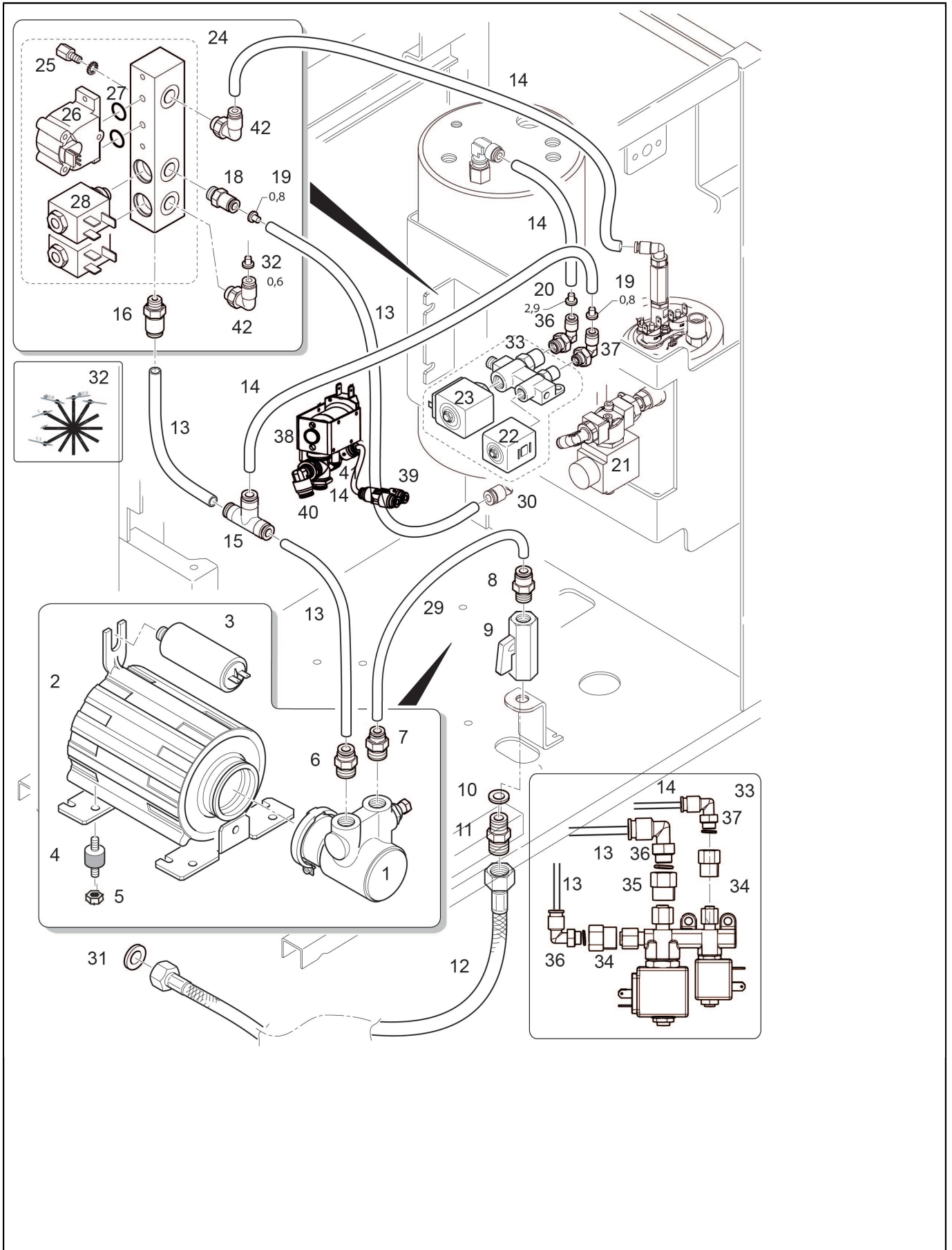


POS.	CODE	DESCRIPTION	NOTES
1	10060189	Steam Tap/16	
2	38120087	Cover	
	38120088	Cover Steam Handel	
3	32210001	Steam Handle Spring	
4	00100998.001	Retrofit Kit C-Lever	
	10701326	Retrofit Kit C-Lever Cool Touch	
5	10060155	Fast Steam Tap Left No Connector	
6	36220009	Gasket Nut Note Teflon	
7	36930016	Gasket Teflon Connection Steam Wand	
8	36930017	Teflon Gasket For Steam Wand Nut	
9	10049112	Steam Pipe Inox Lg 25	
	10049121	Cool Touch Wand Classe 7	
	10701426	Cooltouch Wand/17	
	36990004	Rubber For Steam Pipes	
10	36404022	O-RING 6,4 X 1,9 R5A	
11	23212035	Steam Sprayer Lg44 D1.5	
	25111006	Steam Nozzle	
12	32331413	Bracket	
13	37040510	Screwm5 X 10Mm	
14	69200140	Elbow Connector6 X G1/8 Ppsu	
15	38228073	Teflon Hose Fep D. 6 X 4	
16	00100855.001	Sleeve	
17	26220005	Flat Nut 3/8	
18	37431600	Outer Toothed Washer D16	
19	10060002	Rod+Nut And Steam Cock Gasket	
20	36301105	Gasket For Nut Steam Tap Epdm	
21	10701240	Kit Clever/15 Cams Peek Left	
22	39110035	Water-Steam Cock Spring	
23	36990078	Shaft Gasket Fast Tap	
24	37510700	Snap Ring D. 7	
25	36230001	Teflon Washer	
26	32239044	New Steam Cock Washer	
27	10706035	Steam Pipe+Junction One	
28	39110038	Spring Connection Steam Tap	

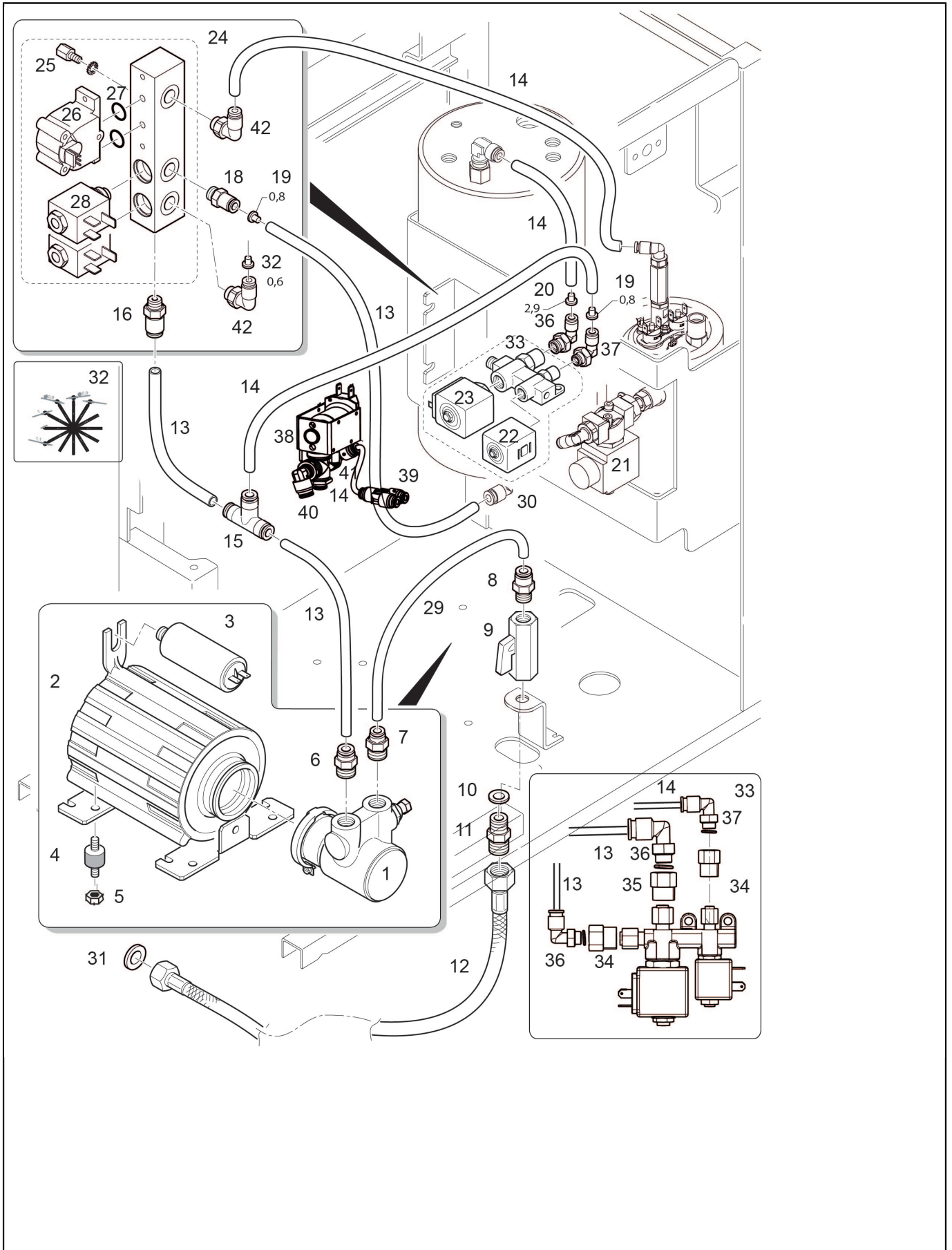


Steam Boiler-Steam Valve Block PURE COFFEE

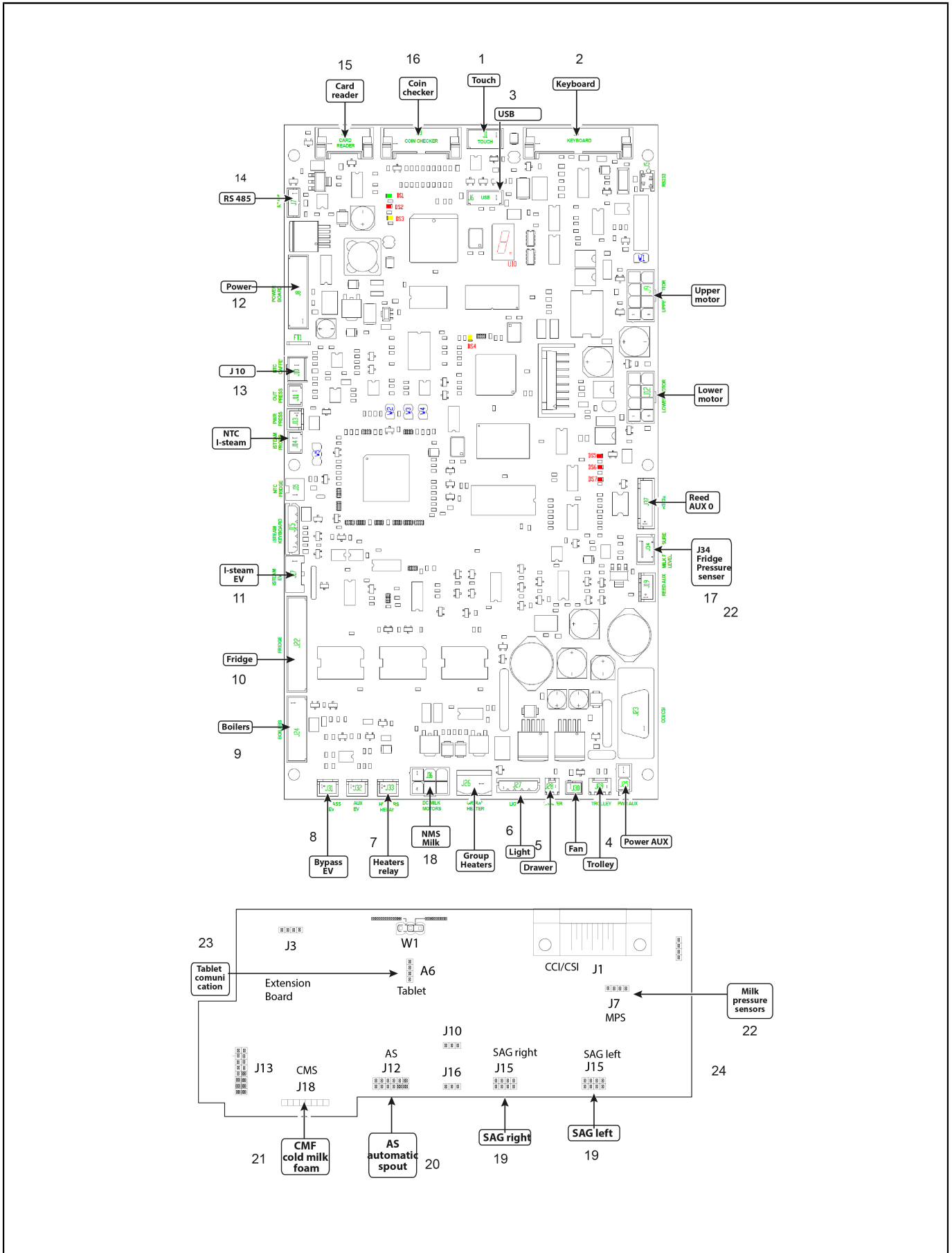
POS.	CODE	DESCRIPTION	NOTES
1	00100802.001 10020018	Steam Boiler Assy. 3 Kw Steam Boiler Assy. 2,5Kw	
2	36901955 69000417	Sticky Tape 3M 50Mmx55Mt Boiler Insulation Steam Boiler	
3	10701173 10701254	HEATING ELEMENT WITH GASKET 2500W/230V ONE Heating Element/15 230V/3Kw+Gasket One-S50	
4	10700998 36201035	Service Kit Steam Boiler Gasket Steam Boiler Resistance Garlock Egro One	
5	00100351.001	Gasket Steam Boiler	
6	00002240	O-Ring 14 X 1,78 Epdm 70Sh	
7	00100267.001	Steam Connection	
8	00100268.002	Level Sensor 140 Mm With Gasketg1/4	
9	00100793.001	Elbow Connector 6 X 6 Mm	
10	30001047	Suction Pipe	
11	27350014	Copper Gasket 12.5X9.8X1.5	
12	00100300.001	Temperature Limiter 140 C	
13	34160024 37030408 37430400	Lamellar Contact Screw M 4 X 8 Toothed Washer D4	
14	34200288	Pressure Sensor	
15	00100869.001	Adapter Nipple D. G 1/4 X 3/8	
16	10705232	Pipe For Pressure Transducer	
17	00100059.001	Double Nipple G 1/4 X G 1/4	
18	00100236.001	Manometer 4 Bar	
19	10705233	Pipe For Manometer	
20	00044464 10060060 36220009 36404053	Gasket 16,5 X 13,2 X 1,5 Copper Vacuum Valve Gasket Nut Note Teflon O-Ring 5,28 X 1,78 Epdm	
21	00010152 00019974 00027170 00039067 00045682	Threaded Nipple Gasket 14,8 X 9 X 2 Copper Union Nut G3/8 X 13,5Mm Relief Valve, Steam Splash Guard-Hose D. 16,0 X 45,0	
22	00060160	Brass Closing Screw	
23	00056751	Guinding Pin D.8X8	
25	37411001	Plane Washer D.10	
26	00001484	Nut M10	
27	37040510	Screwm5 X 10Mm	
28	69200135	Straight Connector G1/8 X 6	
30	23000299	Cap G1/8 Boiler One/Zero	
31	69200141	Elbow Connector G1/4X6 Ppsu	
32	37040621	Screw M 6 X 20 Inox	
33	37420601	Elastic Washer D. 6	
36	36404054	O-Ring 12,42 X 1,78 V 70Sh 2050	
37	23000194	Plate Steam Boiler 100 X 1/4	



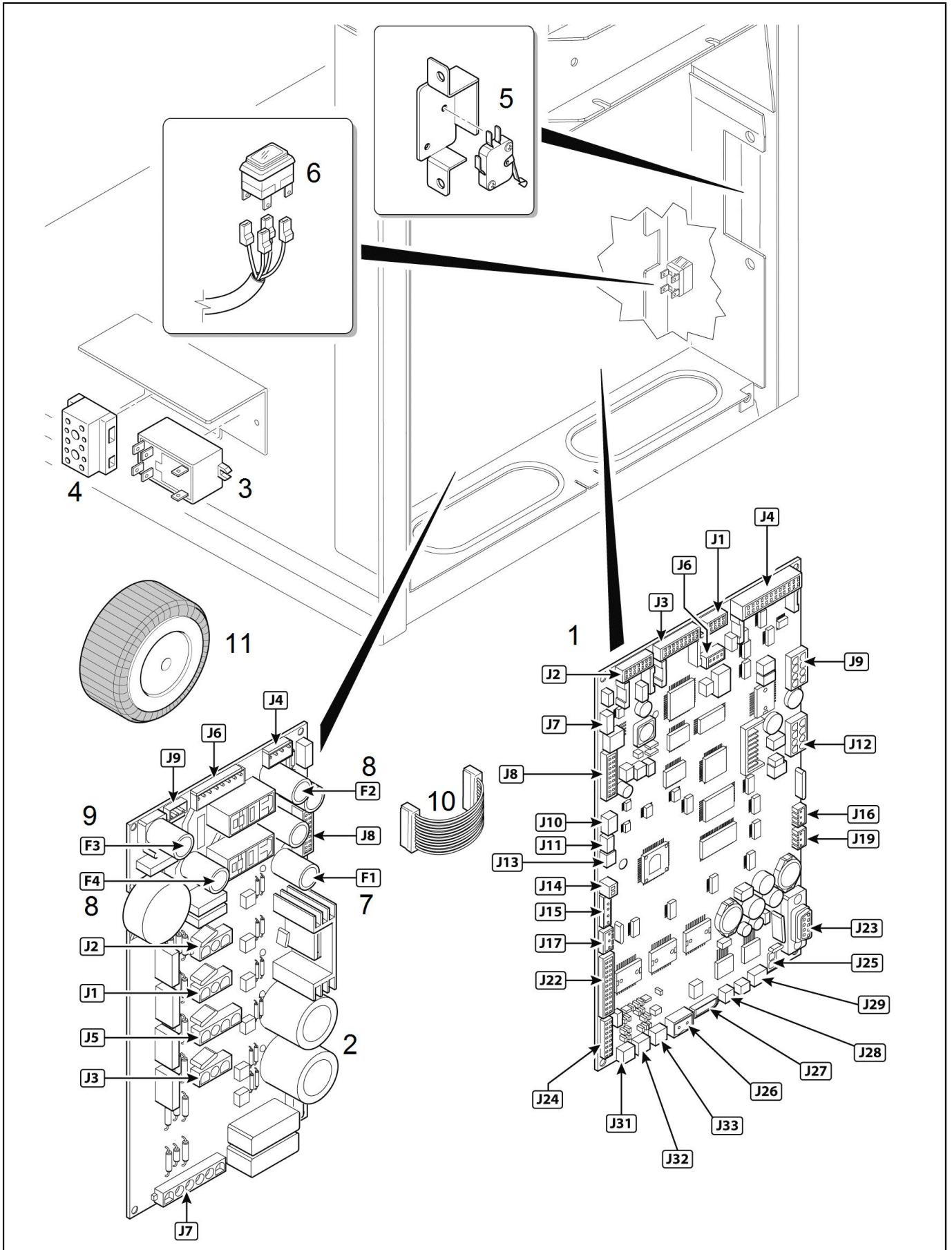
POS.	CODE	DESCRIPTION	NOTES
1	69000288	Pump Vm 100L/H	
2	00045393	Pump Motor 230 V / 50 Hz - 120 W	
3	00042324	Capacitor Assay. 7.0 Mf 200V	
	34020017	Capacitor 6.3Mf Lt155-255	
4	36322006	Anti-Vibrating Device 20 X 20 - M6 X 12 Sh30	
5	00001522	Keps Nut M6	
6	69200136	STRAIGHT NIPPLE M6 X G3/8	
7	69200138	STRAIGHT CONNECTOR G3/8 X 8	
8	69200137	Straight Nipple M8 X G1/4	
9	69200131	BALL TAP G1/4	
10	00058587	Gasket 15 X 7,2 X 2,1 Rubber Epdm Perox	
11	23000288	Double Nipple G3/8 X G1/4	
12	69000737	Flex Pipe Mm1500 Nsf F3/8-F3/8 Check Valve	
13	38228073	Teflon Hose Fep D. 6 X 4	
14	38228072	Teflon Hose Fep D. 4,0 X 2,5	
15	00100897.001	T - Connectord. 6 X 4 X 6 Mm	
16	69200135	Straight Connector G1/8 X 6	
18	69200141	Elbow Connector G1/4X6 Ppsu	
19	00100899.001	Flow Limiter 0,8	
20	00100939.001	Flow Limiter D. 2.9 X 4	
21	00100147.001	Operator Kit 3/2 Way Water T30 (Acl)	
	00100149.001	Plunger 3/2 Water T30 (Acl)	
	10060607	Electrovalve Coffee Boiler	
	34040167	Valve 3/2 24V T30 (Sirai)	
22	34049012	Operator Kit 2/2 Ways Cold Water (T22)	
	34049014	Plunger 2/2 Cold Water T22	
23	34049011	Operator Kit 2/2 Ways Hot Water (T30)	
	34049013	Plunger 2/2 Hot Water T30	
24	00100313.001	Cold Water Valve Block Assay.	on machine before S/N 12011960 PIN 119415 use ACL valves 34049007 su macchine precedenti la N/F 12011960 PIN 119415 utilizzare valvole ACL 34049007 from S/N 12011960 PIN 119415 use SIRAI Valves 34040163 dalla N/F 12011960 PIN 119415 utilizzare valvole SIRAI 34040163
25	00046192	Spacers	
26	00053558	Flowmeter With O-Rings	
27	00055294	O-Ring Kit For Flowmeter	
28	34040163	KIT OPERATOR 2/2 T22 SIRAI	to be used on machine after S/N 12011960 PIN 119415 da utilizzare su macchine successive la N/F 12011960 PIN 119415
	34040164	Plunger 2/2 T22 (SIRAI)	to be used on machine after S/N 12011960 PIN 119415 da utilizzare su macchine successive la N/F 12011960 PIN 119415
	34049006	Plunger 2/2 Water T22 (Acl)	to be used on machine before S/N 12011960 PIN 119415 da utilizzare su macchine precedenti la N/F 12011960 PIN 119415
	34049007	Operator Kit 2/2 Way Water (Acl) T22	to be used on machine before S/N 12011960 PIN 119415 da utilizzare su macchine precedenti la N/F 12011960 PIN 119415
29	38228074	Teflon Hose Fep D. 8 X 6	
30	69200141	Elbow Connector G1/4X6 Ppsu	



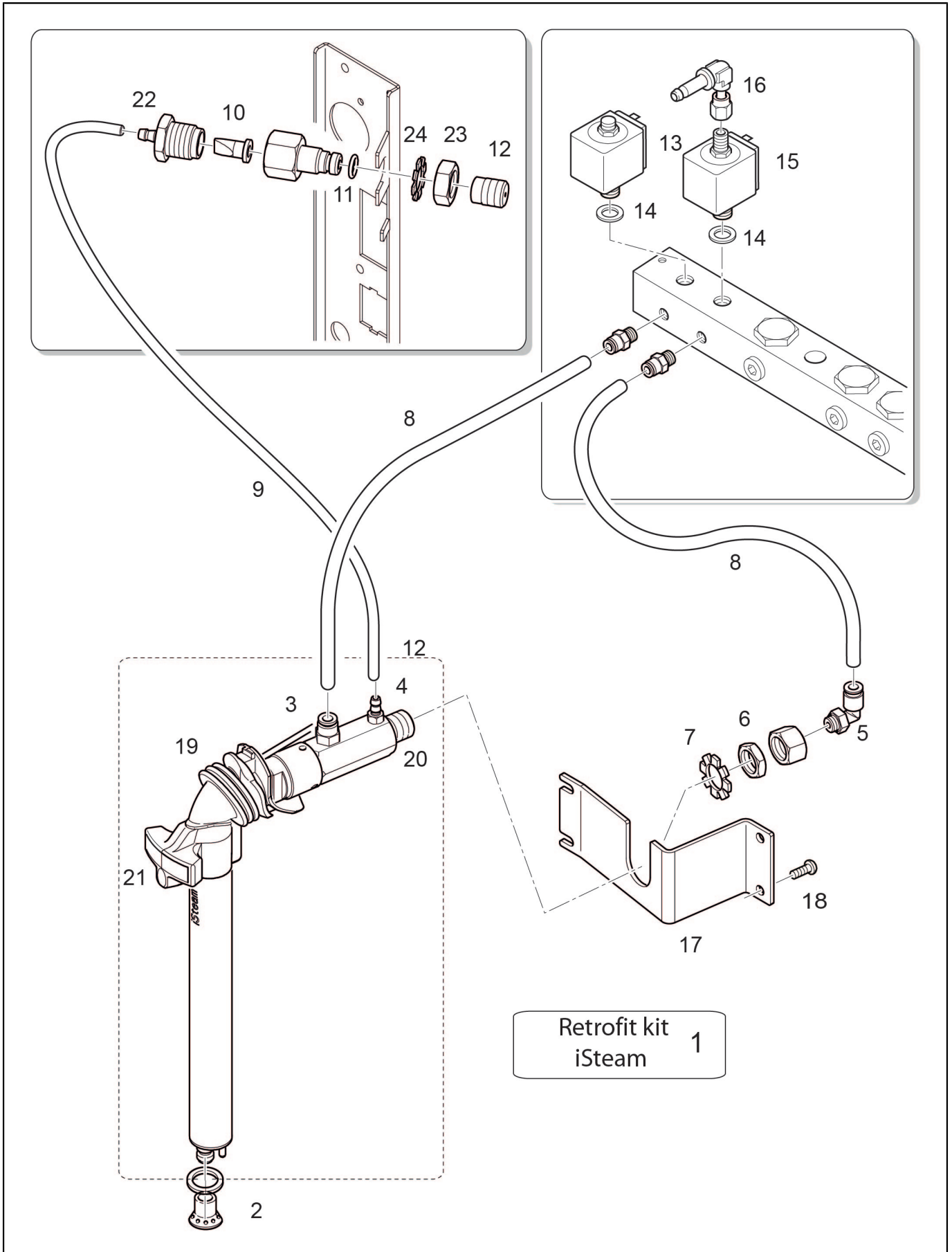
POS.	CODE	DESCRIPTION	NOTES
31	00019974	Gasket 14,8 X 9 X 2 Copper	
32	38120127	Restriction Ring Little White	
33	10705756	Economizer 24V	
34	00100867.001	SLEEVEM12 X 1 G 1/8	
35	00100868.001	SLEEVEM10 X 1 G 1/8	
36	00053754	Threaded Elbow, Male D. 6 Mm X G1/8	
37	69200139	Elbow Connector 4 X G1/8 Ppsu	
38	34040156	Valve 3/2 24V	
39	69200115	Y CONNECTION D 4	
40	69200130	Elbow Connector 6X6	
41	00060076	PLUG IN ELBOW CONNECTOR 6X4	
42	69200142	Elbow Connector G1/4X4 Ppsu	



POS.	CODE	DESCRIPTION	NOTES
1	10110705	Wiring Set Touchscreen One	
2	00044846	Flat Cable 600Mm	
3	10110706	Extension Usb-Cable	
	34070075	Wiring Set J6 With Usb Connector (Touch Pad)	
4	10110714	Wiring Set J29	
5	10110717	Wiring Set J28	
6	10705592	Usb Wired Assy One	
7	10110716	Wiring Set J33 Relays	
8	10110704	Wiring Set J31 By Pass One	
	10110867	Wiring Valves Sirai	
9	10110867	Wiring Valves Sirai	
10	10110709	Wiring Set J22 Ks7	
	10110715	Wiring Set J22 One Quick Milk	
	10110759	Wiring Milk Pump Module Ks9	
	10110821	Wiring Set J22 One Quick Milk Nms	
	10701324	Extension Kit - Undercounter Fridge	
11	10110703	Wiring Set J17 Isteam	
	10110874	Wiring Electrovalve Isteam 3Valves Cc	
12	10110712	WIRING SET J10 EXTENSION WIRING COFFEE PROBE ONE	
13	10110701	Cable Powersupply-Cpu One	
14	10110728	Wiring Powder Module - Coffee Machine	
15	10110001	Flat Cable Pay System Machine 16 Poles	
	10110002	Flat Cable Smart Card 10 Poles	
16	00034550	Cable Tie 2,5 X 200 Mm	
	34200071	Fixing Cable Clamp	
	34200301	CLAMP L.155X4,8MM	
17	10110835	Pressure Sensor Cable Set Nms 1Milk	
	10110837	Extension Cable Pressure Sensor 4Pole	
	10110839	Pressure Sensor Cable Set 2Milk	
	10110976	Cable Milk Sensor Nms	Kabel Drucksensor von Maschine / cable pressure sensor from machine
19	10110962	Wiring Sag	
20	10110961	Wiring As	
21	10110959	Wiring Valve Pump Module Cmf Ks9	
	10110960	Wiring Cmf Valves	
22	10110835	Pressure Sensor Cable Set Nms 1Milk	
	10110837	Extension Cable Pressure Sensor 4Pole	
23	10110958	Wiring Tablet Byo Fix	
24	34070236	Cable Button Display Byo	



POS.	CODE	DESCRIPTION	NOTES
1	10701056	Kit Cpu Board Egro One Nms	
2	10705962	Power Supply Egro One	
3	34200289	Heating Element Relay	
4	00053952	Connecting Terminal 3 P	
	34300073	Cavo H07Rn-F 5C.Sez.2,5 L=2000	
	34300075	Cavo H07Rn-F 3Capi Sez.4 L=2500	
	34300079	Cavo H07Rn-F 5C.Sez.4 L=2500	
5	34100021	Micro Switch	
6	34030077	Main Switch	
7	00003285	Fuset8A 250V 5X20Mm	
8	34200177	Fuse 2A 5X20	
9	00003280	Fuse F6,3A 250V 5X20Mm	
10	10110701	Cable Powersupply-Cpu One	
11	34200269	Transformer 140Va	



POS.	CODE	DESCRIPTION	NOTES
1	10701627 10705590	Retrofit Kit Isteam One/19 Isteam Assay.	250mm
2	23000098V 36404022	Isteam Sprayer O-RING 6,4 X 1,9 R5A	
3	69200135	Straight Connector G1/8 X 6	
4	23000100	Gasket-Holder Venturi Isteam	
5	69200140	Elbow Connector 6 X G1/8 Ppsu	
6	26220005	Flat Nut 3/8	
7	37431600	Outer Toothed Washer D16	
8	38228073	Teflon Hose Fep D. 6 X 4	
9	00050010.001	Silicon Hose D. 6,0 X 3,0 Mm	
10	10701437 36230017 36230021	Air Inlet Valve Isteam/17 Duckbill Valve Duckbill Valve	Replacement for 36230017 / Ersatz für 36230017
11	10701437 36404013	Air Inlet Valve Isteam/17 O-Ring Silicone 2031	
12	23000092 23000093 23000192	Flow Limiter 0,25 Isteam/Yousteam Flow Limiter 0,35 Isteam/Yousteam Flow Limiter 0,15 Isteam	
13	00100559.001 00100560.001	Operator Kit 2/2 Way Water T30 (Acl) Plunger 2/2 Water T30 (Acl)	
14	00100013.001	O-Ring 17,17 X 1,78 F	
15	00100016.005 00100116.005	Plunger 3/2 Steam T30 (Acl) Operator Kit 3/2 Ways Steam (Acl) T30	
16	00057912	Threaded Elbow, Maled. 6 Mm X G1/8	
17	32331413	Bracket	
18	37040410	Screw M 4 X 10	
19	36990024	Collar Isteam	
20	36404054	O-Ring 12,42 X 1,78 V 70Sh 2050	
21	10701363	Isteam Keypad/16	
22	36990058	RUBBER HOLDER AIR ISTEAM	
23	37321201	Nut M12	
24	37431200	Toothed Washer D. 12,5	

Code	No. table	Pos.
00000928	2002	21
00000928	2002_02	21
00000930	2002_02	12
00000935	2002	13
00000935	2002_02	40
00001065	1010	16
00001176	2002	4
00001176	2002_02	4
00001484	2010	26
00001518	2002	24
00001518	2002	26
00001521	2000	17
00001521	2000_02	9
00001521	2002_02	24
00001522	2007	5
00001522	2007_02	5
00002195	2000	40
00002195	2000_02	26
00002207	2000	40
00002240	1000	17
00002240	2000	10
00002240	2010	6
00003280	3000	9
00003285	3000	7
00004473	2000	31
00004473	2000	32
00004473	2012	3
00004474	2000_02	21
00004474	2012	8
00004475	2000	30
00004475	2000_02	24
00004475	2012	2
0000930	2002	12
00010152	2010	21
00019974	2007	31
00019974	2007_02	31
00019974	2010	21
00027170	2010	21
00030494	1010	17
00034550	3001	16
00039064	2002	8
00039064	2002_02	8
00039067	2010	21
00042324	2007	3
00042324	2007_02	3
00044464	2000	22
00044464	2010	20
00044846	3001	2
00045032	2002	18
00045032	2002_02	18
00045393	2007	2
00045393	2007_02	2
00045682	2010	21
00045714	2000	33
00045714	2000_02	23
00045714	2012	6
00046069	1000	16
00046069	1000	18
00046192	2007	25
00046192	2007_02	25
00046299	2007	2
00046806	2000	34
00046806	2012	5
00046844	1000	9
00046844	2002	28
00046844	2002_02	28
00046933	2005	20

Code	No. table	Pos.
00047077	1001	24
00047078	1001	24
00047934	2000	40
00047934	2000_02	26
00048474	2012	4
00048548	2002_02	13
00048550	2002	23
00048550	2002_02	23
00048747	2002	30
00048747	2002_02	30
00050010.001	4000	9
00050095	2000	36
00050095	2000	40
00050095	2000_02	27
00050096	2000	40
00052557	2000_02	22
00053558	2007	26
00053558	2007_02	26
00053559	2002	34
00053560	2002	35
00053602	2002	32
00053754	2007_02	36
00053785	2000	12
00053952	3000	4
00054064	2000_02	12
00054067	2000	14
00054080	2002	26
00054087	2002	25
00054107	2000	11
00054220	2002	31
00054429	2000	2
00054430	2000	35
00054433	2002	20
00054647	2000	40
00054649	1000	15
00054861	2002	6
00054861	2002_02	6
00054920	2000	11
00054923	2000	9
00054940	2002	26
00054944	1001	23
00055294	2007	27
00055294	2007_02	27
00055557	1000	15
00055794	2000	5
00055794	2000_02	8
00055795	2012	11
00055941	2000	4
00056751	2010	23
00057101	2002	33
00057446	2002	41
00057446	2002_02	41
00057567	2000	15
00057912	4000	16
00058587	2007	10
00058587	2007_02	10
00058836	2000	26
00060076	2007_02	41
00060116	2002	5
00060116	2002_02	5
00060160	2010	22
00060233	2012	9
00060283	2002	17
00060283	2002_02	17
00060858	2002	27
00060858	2002_02	27
00100013.001	4000	14

Code	No. table	Pos.
00100016.005	4000	15
00100059.001	2000	21
00100059.001	2010	17
00100105.001	2000	23
00100116.005	4000	15
00100136.001	2002	7
00100136.001	2002_02	7
00100147.001	2000	8
00100147.001	2000_02	3
00100147.001	2007_02	21
00100149.001	2000	8
00100149.001	2000_02	3
00100149.001	2007_02	21
00100236.001	2010	18
00100267.001	2010	7
00100268.002	2010	8
00100300.001	2010	12
00100313.001	2007	24
00100313.001	2007_02	24
00100351.001	2010	5
00100367.001	2007	2
00100506.001	2002	9
00100506.001	2002_02	9
00100510.001	2002	2
00100514.001	2002	3
00100523.001	2002	14
00100559.001	2000	35
00100559.001	4000	13
00100560.001	2000	35
00100560.001	4000	13
00100565.001	2005	16
00100793.001	2010	9
00100802.001	2010	1
00100804.001	2000	1
00100855.001	2003	16
00100855.001	2004	9
00100862.003	2000	31
00100862.003	2012	10
00100867.001	2007_02	34
00100868.001	2007_02	35
00100869.001	2010	15
00100877.001	2005	2
00100877.002	2005	2
00100878.001	2005	1
00100878.002	2005	1
00100897.001	2007	15
00100897.001	2007_02	15
00100899.001	2007	19
00100899.001	2007_02	19
00100939.001	2007	20
00100939.001	2007_02	20
00100986.001	1000	20
00100987.001	1000	20
00100994.001	1001	18
00100996.001	1000	21
00100997.001	1000	19
00100998.001	2003	4
00101000.001	2005	19
00101001.001	2000	38
00101048.001	2005	14
00101070.001	2005	17
10020018	2010	1
10020038	2000_02	1
10042099	2000_02	18
10042199	2000_02	4
10046062	2000_02	28
10049014	2004	5

Code	No. table	Pos.
10049112	2003	9
10049121	2003	9
10054001	2002	37
10054002	2002_02	37
10060002	2003	19
10060006	2000_02	17
10060060	2010	20
10060155	2003	5
10060189	1001	6
10060189	2003	1
10060479	2000_02	17
10060605	2000	18
10060606	2000_02	29
10060607	2000_02	3
10060607	2007_02	21
10110001	3001	15
10110002	3001	15
10110701	3000	10
10110701	3001	13
10110703	3001	11
10110704	2000	37
10110704	2000_02	30
10110704	3001	8
10110705	3001	1
10110706	3001	3
10110709	3001	10
10110712	3001	12
10110714	3001	4
10110715	3001	10
10110716	3001	7
10110717	3001	5
10110728	3001	14
10110729	2000	25
10110759	3001	10
10110821	3001	10
10110835	3001	17
10110835	3001	22
10110837	3001	17
10110837	3001	22
10110839	3001	17
10110867	3001	8
10110867	3001	9
10110874	3001	11
10110958	3001	23
10110959	3001	21
10110960	3001	21
10110961	3001	20
10110962	3001	19
10110976	3001	17
10700101	2000	27
10700176	2002_02	3
10700177	2002_02	2
10700178	2002_02	33
10700232	2000_02	13
10700232	2012	7
10700268	2000	24
10700989	1001	1
10700997	1000	25
10700998	2010	4
10701036	2002_02	36
10701049	2002	36
10701050	2002	11
10701050	2002_02	11
10701051	2002_02	1
10701056	3000	1
10701094	2000_02	1
10701101	1001	18

Code	No. table	Pos.
10701144	1001	18
10701148	2000_02	31
10701173	2010	3
10701209	2005	12
10701210	2005	12
10701240	2003	21
10701254	2010	3
10701274	1001	25
10701275	1001	25
10701276	1001	25
10701324	3001	10
10701326	2003	4
10701363	4000	21
10701395	1010	1
10701413	1000	15
10701426	2003	9
10701437	4000	10
10701437	4000	11
10701527	1000	27
10701627	4000	1
10701642	2000	24
10701642	2000_02	11
10701659	1001	2
10705175	2000	27
10705179	2000	20
10705185	2000	20
10705232	2010	16
10705233	2010	19
10705245	2004	1
10705528	1000	7
10705529	1000	8
10705529	2005	7
10705590	4000	1
10705592	1001	17
10705592	3001	6
10705706	1000	5
10705706	2005	18
10705707	1000	6
10705708	1000	6
10705710	1001	8
10705713	2005	15
10705714	2005	15
10705715	2005	12
10705716	2005	12
10705717	1000	5
10705717	2005	18
10705718	2002	29
10705756	2007_02	33
10705759	2007	33
10705801	1000	16
10705809	2000	28
10705962	3000	2
10705964	1001	2
10705966	1000	1
10705966	1000	3
10705968	1000	1
10705979	1000	3
10706035	2003	27
10781311	1000	15
10905117	1001	20
10905122	1001	20
20200113	2004	14
21000010A	1001	11
21000010B	1001	11
23000092	4000	12
23000093	4000	12
23000098V	4000	2

Code	No. table	Pos.
23000100	4000	4
23000128	2005	22
23000135	2000	29
23000135	2000_02	25
23000136	1000	21
23000144	2004	6
23000192	4000	12
23000194	2010	37
23000288	2007	11
23000288	2007_02	11
23000299	2000_02	32
23000299	2010	30
23000322	2000	6
23000322	2000_02	6
23212035	2003	11
24300010	2002_02	32
25111006	2003	11
25128014	2004	6
25128015	2004	6
25135017	2004	13
25135019	2004	5
26220005	2003	17
26220005	2004	8
26220005	4000	6
27350001	2000_02	17
27350014	2000	16
27350014	2000	7
27350014	2000_02	3
27350014	2000_02	32
27350014	2000_02	7
27350014	2010	11
30001047	2010	10
30001048	2002	19
30001048	2002_02	19
32210001	2003	3
32239044	2003	26
32331403	2005	10
32331404	2005	9
32331405	1001	18
32331407	1001	18
32331413	2003	12
32331413	4000	17
32331419	1000	20
32331435	1000	26
32331443	2002_02	20
32331498	2002_02	14
32331698	1000	29
32331780	2000_02	10
32332163	1010	3
32332164	1010	4
32332165	1010	5
32332166	1010	6
32332167	1010	7
32332168	1010	8
32332283	1010	1
32332284	1010	2
32551057	1000	2
32551057A	1000	2
34010009	2002	1
34010015A	2005	24
34020017	2007	3
34020017	2007_02	3
34020034	2005	17
34020125	2002_02	35
34030077	3000	6
34040156	2007_02	38
34040163	2007_02	28

Code	No. table	Pos.
34040164	2007_02	28
34040167	2007_02	21
34040177	2000_02	29
34040180	2000_02	29
34040183	2000_02	29
34040184	2000_02	3
34049006	2007	28
34049006	2007_02	28
34049007	2007	28
34049007	2007_02	28
34049011	2007	23
34049011	2007_02	23
34049012	2007	22
34049012	2007_02	22
34049013	2007	23
34049013	2007_02	23
34049014	2007	22
34049014	2007_02	22
34070075	1001	17
34070075	3001	3
34070236	3001	24
34100021	1010	9
34100021	3000	5
34160024	2010	13
34200071	2002_02	39
34200071	3001	16
34200177	3000	8
34200269	3000	11
34200288	2010	14
34200289	3000	3
34200294	2000_02	10
34200301	3001	16
34300073	3000	4
34300075	3000	4
34300079	3000	4
35002509	2000_02	19
35002511	2000	27
36201035	2010	4
36220009	2003	6
36220009	2004	2
36220009	2010	20
36230001	2003	25
36230017	4000	10
36230021	4000	10
36301040	2004	4
36301105	2003	20
36322006	2007	4
36322006	2007_02	4
36404013	4000	11
36404022	2003	10
36404022	2004	12
36404022	4000	2
36404053	2010	20
36404054	2010	36
36404054	4000	20
36405002	1000	17
36901951	1000	23
36901952	1001	17
36901955	2000	2
36901955	2010	2
36930016	2003	7
36930017	2003	8
36930017	2004	3
36930110	2002	10
36930110	2002_02	10
36930111	2002	22
36930111	2002_02	22

Code	No. table	Pos.
36990004	2003	9
36990024	4000	19
36990025	1000	28
36990025	2005	21
36990026	2005	13
36990058	4000	22
36990078	2003	23
37030309	1000	12
37030408	1010	10
37030408	2010	13
37040409	2002_02	26
37040409	2002_02	40
37040410	1000	26
37040410	1000	29
37040410	1001	13
37040410	4000	18
37040411	1001	7
37040412	1000	20
37040420	1001	19
37040446	1001	14
37040510	2003	13
37040510	2010	27
37040621	2010	32
37041020	1010	11
37060306	2002_02	38
37113508	2005	11
37155011	2002_02	25
37320603	1000	24
37320603	1000	26
37321201	4000	23
37370301	1000	24
37410300	2005	11
37410303	1010	12
37411001	2010	25
37420300	2002	38
37420300	2002_02	38
37420403	1001	14
37420601	2010	33
37430400	2010	13
37431200	4000	24
37431600	2003	18
37431600	2004	7
37431600	4000	7
37510320	1000	21
37510700	2003	24
37900115	1001	22
37901002	1001	9
38120054	1010	13
38120072	1000	16
38120075	2005	4
38120076	2005	6
38120077	1001	12
38120086	1001	3
38120087	1001	5
38120087	2003	2
38120088	1001	4
38120088	2003	2
38120089	1001	15
38120090	1001	16
38120097	1000	24
38120109	2000_02	13
38120109	2012	7
38120110	2000_02	13
38120110	2012	7
38120115	2002_02	31
38120119	2002_02	30
38120120	2002_02	29

Code	No. table	Pos.
38120121	1000	10
38120126	1000	22
38120127	2007	32
38120127	2007_02	32
38120163	1000	4
38120180	1001	24
38120318	1000	16
38120580	2005	3
38120581	2005	5
38123568	1000	13
38123852	1000	14
38221007	1000	5
38221017	1000	11
38221018	1000	11
38228072	2000	3
38228072	2000_02	16
38228072	2002	15
38228072	2002_02	15
38228072	2007	14
38228072	2007_02	14
38228073	2003	15
38228073	2004	11
38228073	2007	13
38228073	2007_02	13
38228073	2012	1
38228073	4000	8
38228074	2007	21
38228074	2007	29
38228074	2007_02	29
38903002	1000	19
38910003	1010	14
39110026	2002_02	34
39110035	2003	22
39110038	2003	28
39110062	1001	21
39920006	1001	10
39920015	1000	18
45010208	1000	4
45010208	1001	2
45010208	1001	26
45010209	1000	4
69000174	1010	15
69000244	2000_02	20
69000288	2007	1
69000288	2007_02	1
69000336	1000	8
69000337	2005	7
69000338	1000	8
69000339	2005	8
69000415	2000_02	2
69000417	2010	2
69000737	2007	12
69000737	2007_02	12
69200072	1000	19
69200072	1000	21
69200073	2005	23
69200115	2007_02	39
69200130	2007_02	40
69200131	2007	9
69200131	2007_02	9
69200133	2000	4
69200133	2002	16
69200133	2002_02	16
69200134	2007	17
69200135	2007	16
69200135	2007_02	16
69200135	2010	28

Code	No. table	Pos.
69200135	4000	3
69200136	2007_02	6
69200137	2007	8
69200137	2007_02	8
69200138	2007_02	7
69200139	2000	13
69200139	2007	36
69200139	2007_02	37
69200140	2003	14
69200140	2004	10
69200140	2004	15
69200140	2007	36
69200140	4000	5
69200141	2007	30
69200141	2007_02	18
69200141	2007_02	30
69200141	2010	31
69200142	2000_02	15
69200142	2000_02	5
69200142	2007_02	42
69200146	2004	10
69200150	2007	34
69200151	2007	35
69200164	2007	7
69200165	2007	6
69200173	2000_02	14
69200190	2007	18

Contacts

HEADQUARTERS, PRODUCTION PLANT AND R&D CENTERS

Rancilio Group s.p.a.
Viale della Repubblica 40
20010 Villastanza di Parabiago
Milano - Italy
Tel +39 0331 408200
Fax +39 0331 551437
www.ranciliogroup.com
info@ranciliogroup.com

Egro Suisse AG
Bahnhofstrasse 66
5605 Dottikon - Switzerland
Tel. +41 (0)56 616 95 95
Fax +41 (0)56 616 95 97
www.egrocoffee.com
info@egrocoffee.com

WORLDWIDE BRANCH LOCATIONS

SPAIN
RancilioGroup Espana, s.a.
Gran Via de Carlos III, 84 3ª
Edificio Trade
08028 Barcelona - Spain
Ph. +34 902 884 275
Ph. +34 934 923 414
Fax +34 934 965 701
www.ranciliogroup.com
info-es@ranciliogroup.com

PORTUGAL
Rancilio Group Portugal Lda
Estrada da Falagueira nº 68 E
2700-365 Amadora-Lisboa - Portugal
Ph. + 351 21 019 10 91
Fax + 351 21 019 10 91

Rua Nova do Seixo 1282
4465-706 Leca do Balio-Porto - Portugal
Ph. + 351 22 010 14 19
Fax + 351 22 010 14 19
www.ranciliogroup.com
info-pt@ranciliogroup.com

GERMANY
Rancilio Group Deutschland GmbH
Talstrasse 27
97990 Weikersheim - Germany
Ph. +49 7934 99 29 30
Fax +49 7934 99 29 330
www.ranciliogroup.de
info-de@ranciliogroup.com

SWITZERLAND
Egro Suisse AG
Bahnhofstrasse 66
5605 Dottikon - Switzerland
Tel. +41 (0)56 616 95 95
Fax +41 (0)56 616 95 97
www.egrosuisse.ch
info@egrosuisse.ch

USA/CANADA
RancilioGroup North America Inc.
1340 Internationale Parkway / Suite
200
Woodridge, IL 60517 - U.S.A.
Ph: +1 630 914 7900
Fax: +1 630 914 7901
Toll Free: +1 877 726 2454
www.ranciliogroup.com
info@ranciliogroupna.com

