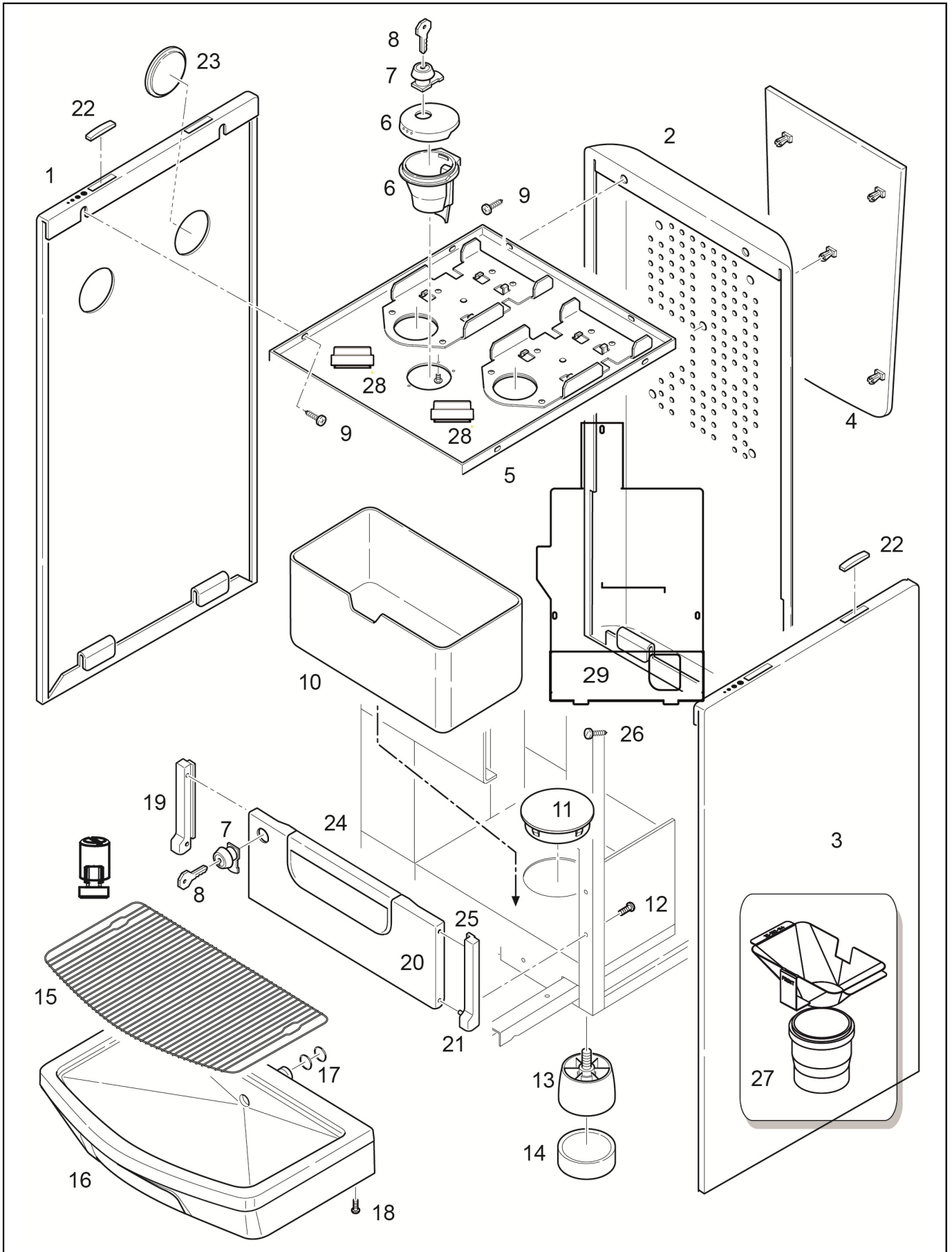


EGRO ONE QUICK MILK

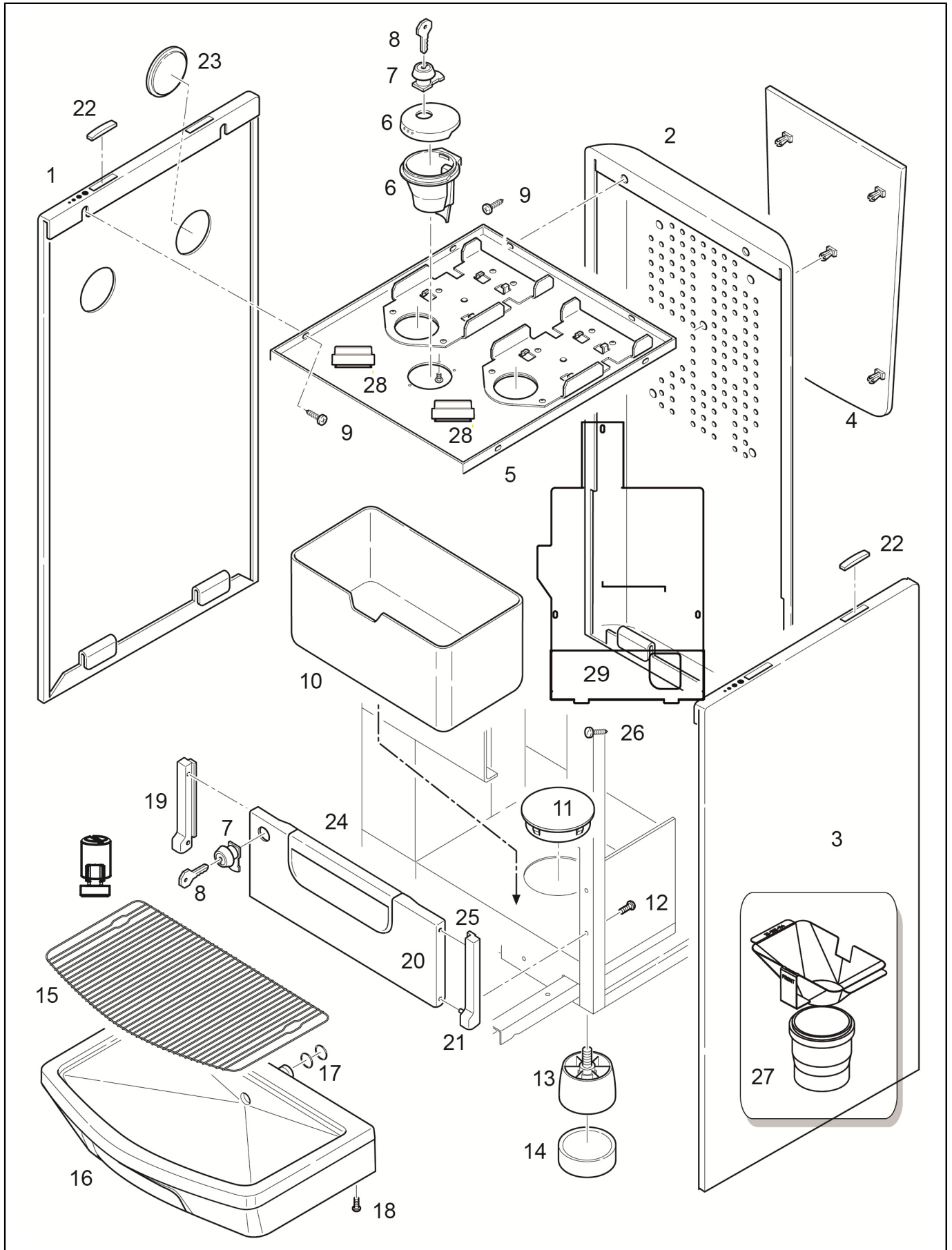


EGRO ONE

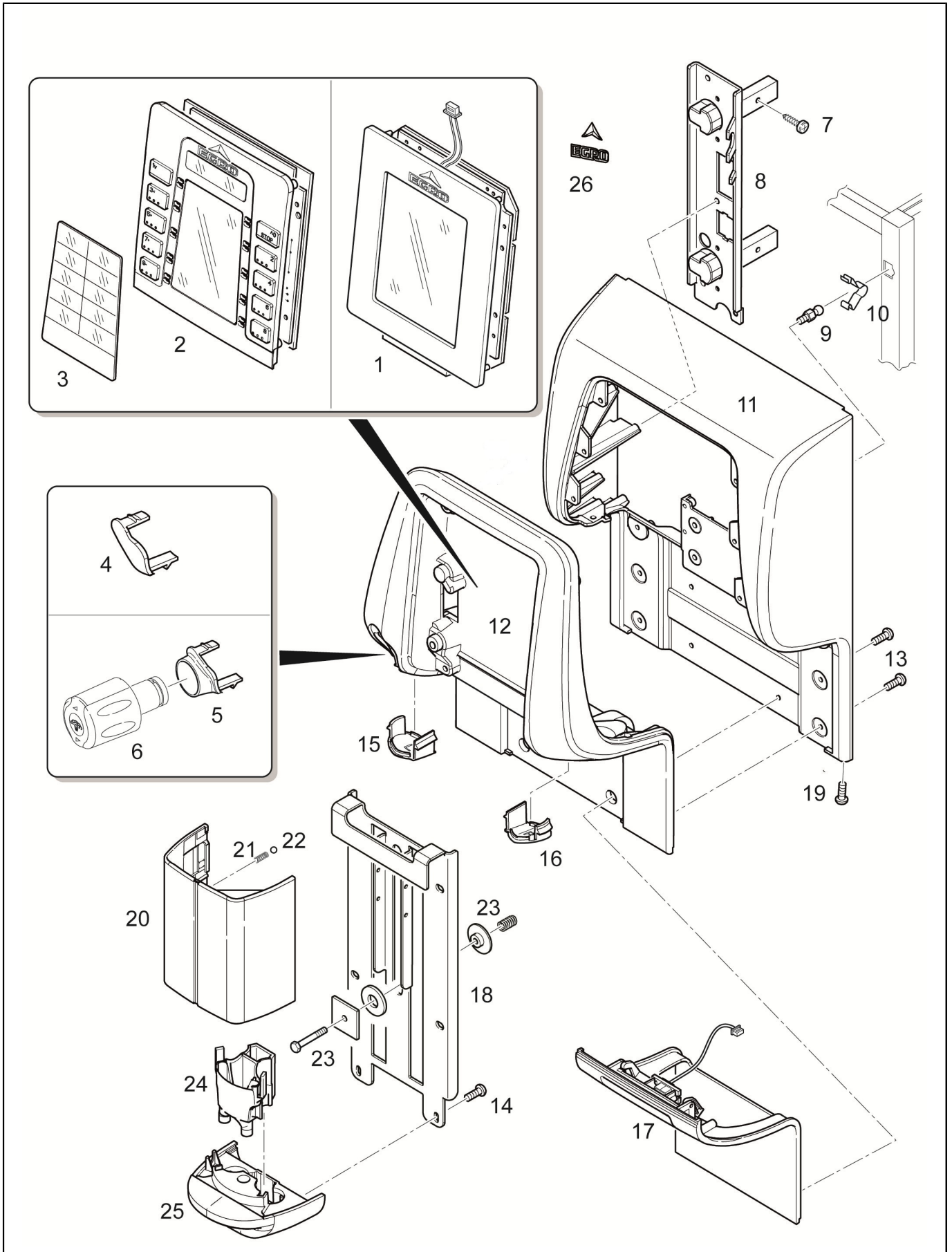
1000 - Housing.....	4
1001 - Front Panel.....	8
1010 - GUM grounds drawer under machine.....	10
2000 - Coffee line	12
2000_02 - Coffee line from S/N 12007595 (FIREM boiler).....	16
2001_02 - Water/Steam Lines from S/N 1207595.....	20
2002 - Coffee Brewing Group (L61).....	22
2002_02 - Coffee Brewing Group (BC18) from S/N 12009467	24
2004 - Water spout.....	28
2005 - Bean Hopper-Grinders.....	30
2006 - Steam Boiler - steam valve block XP/QM.....	32
2007 - Water Inlet System.....	34
2007_02 - Water Inlet System from S/N 12007595.....	38
2009 - Steam Boiler-Steam Valve Block QUICK MILK.....	42
2011 - Water/Steam Lines TM/QM.....	46
3000 - Electric Part/Electronic.....	48
3001 - CPU Board Connections.....	50
6003 - QM Milk Brewing System.....	52
6003_02 - MILK SYSTEM QM NMS.....	54
4000 - Isteam ONE.....	58
4001 - Clever Steam Tap	60
Alphanumeric index.....	62



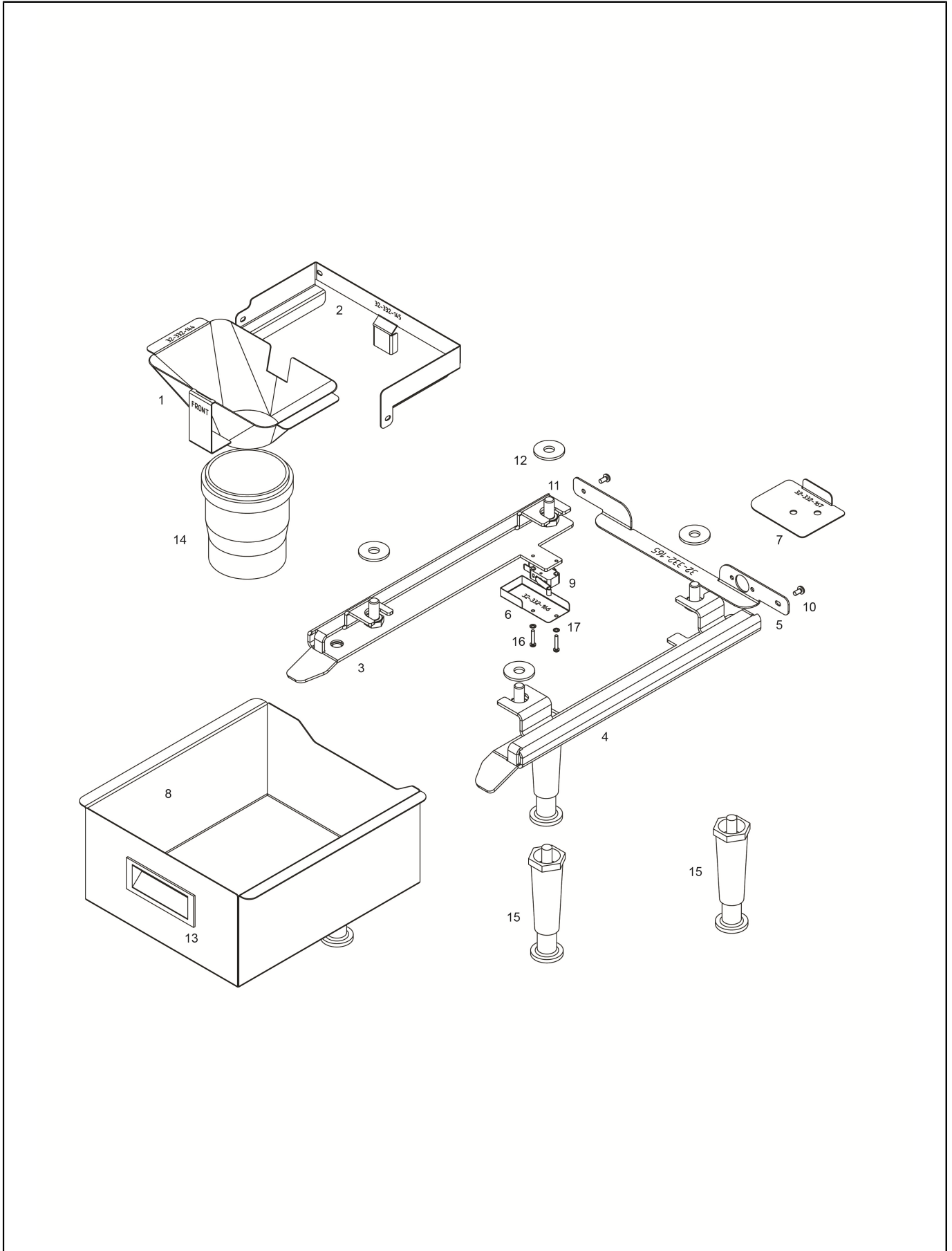
Pos.	Code	Description	Notes
1	10705966	Kit Side Panel Grey With Caps	
	10705968	Kit Side Panel Grey With Holes And Caps	
2	32551057	Rear Panel	
	32551057A	REAR PANEL CUPHEATER-FRIDGE BLACK ONE	
3	10705966	Kit Side Panel Grey With Caps	
	10705979	Kit Side Panel Right With Caps Powd. Mod.	
4	38120163	Egro One Shield	
	45010208	Sticker Egro Logo Small	
	45010209	Sticker Egro Logo Big	
5	10705706	Top Lid 2 Grinders	
	10705717	Top Lid 1 Grinder	
	38221007	Cap Diam.11	
6	10705707	Cover For Powder Coffee Inlet Without Lock	
	10705708	Coffee Powder Inlet Self Assy	
7	10705528	Ronis Lock	
8	10705529	Lock Assay. Ronis M15X17,5 With Hook 25.5Mm	
	69000336	Lock 90 17 X 16	
	69000338	Serial Key Cod 1000	
9	00046844	Screw M4 X 8 Mm	
10	38120121	Coffee Waste Drawer	
11	38221017	Cap D. 54 Mm	
	38221018	Cap D. 85.7 Mm	
12	37030309	Screw M 3 X 6 Tfl Ph	
13	38123568	Machine Foot	
14	38123852	Riser For Machine Foot	
15	00054649	Spacer Pin To Drip Grid M 8 X 15 Mm	
	00055557	Cup Guide Set	
	10701413	Kit Cup Holder One	
	10781311	Drain Tray Grid	
16	00046069	Crossed Raised Cheese Head Screw 4 X 14 Mm	
	10705801	Drain Tray	
	38120072	Waste Drain Tray Insert One	
	38120318	DRAIN TRAY LOGO BYO	
17	00002240	O-Ring 14 X 1,78 Epdm 70Sh	
	36405002	O-Ring Epdm 70Sh 3050 Gray	
18	00046069	Crossed Raised Cheese Head Screw 4 X 14 Mm	
	39920015	Clamp	
19	00100997.001	Bar Left	
	38903002		
	69200072		
20	00100986.001	Drawer Door With Lock	
	00100987.001	Drawer Door Assy	
	32331419	Waste Bin Door One	
	37040412	Screw M4 X 10 Tsp Ph	
21	00100996.001	Bar Right	
	23000136	Coffee Waste Drawer Hinge	
	37510320	Snap Ring D. 3.2	
	69200072		
22	38120126	Cap Side Panel One	
23	36901951	Cap For Side Panel Holes	
24	37320603	Group Fixing Cage Nut M4	
	37370301	Nut M3 Inox	
	38120097	Drawer Handle	
25	10700997	Kit Grounds Drawer Block	



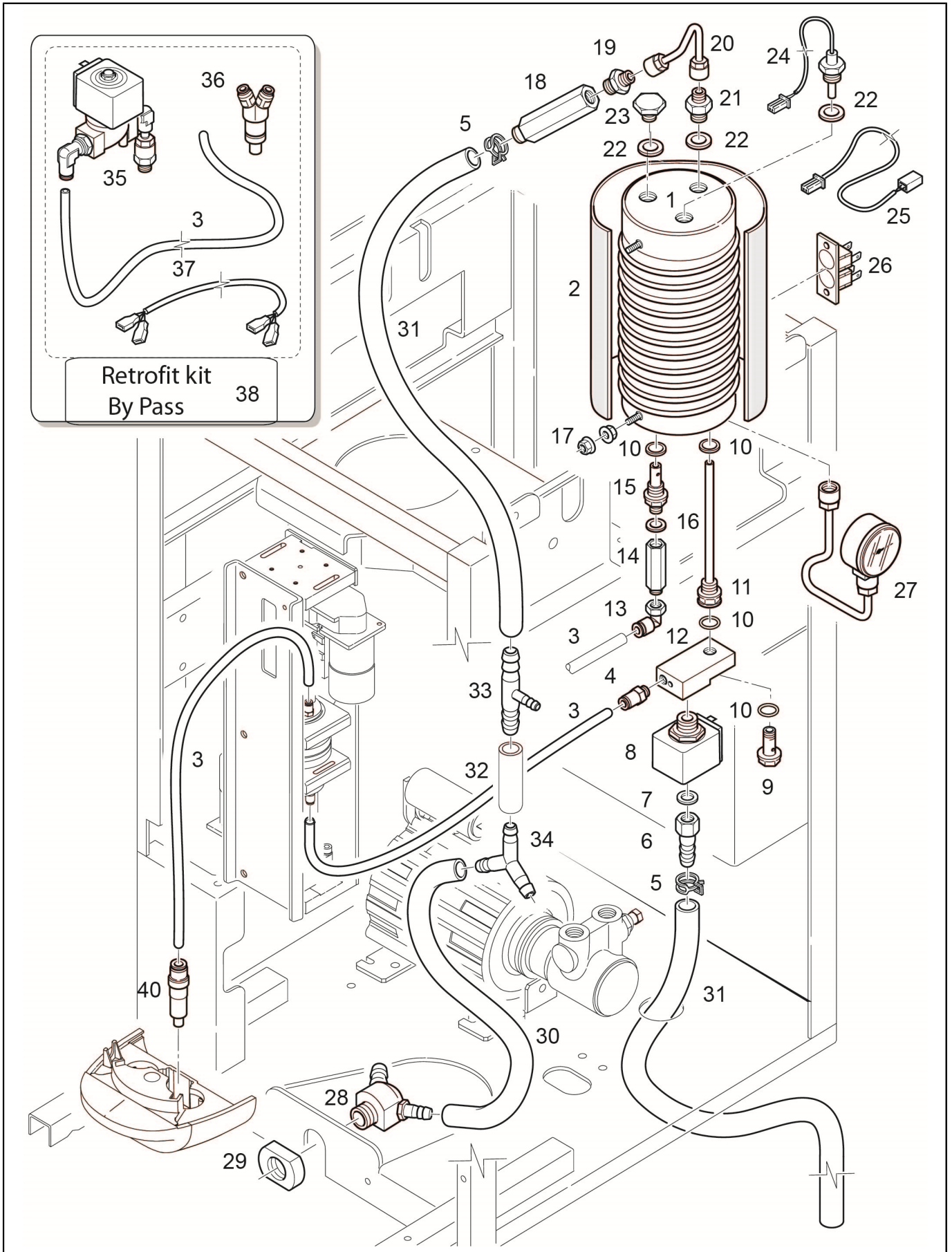
Pos.	Code	Description	Notes
26	32331435	C-Bracket For Connecting With Add-Ons	
	37040410	Screw M 4 X 10	
	37320603	Group Fixing Cage Nut M4	
27	10701527	Kit Direct Grounds Funnel 2018	
28	36990025	Seal (Collar) / Grinder	
29	32331698		
	37040410	Screw M 4 X 10	



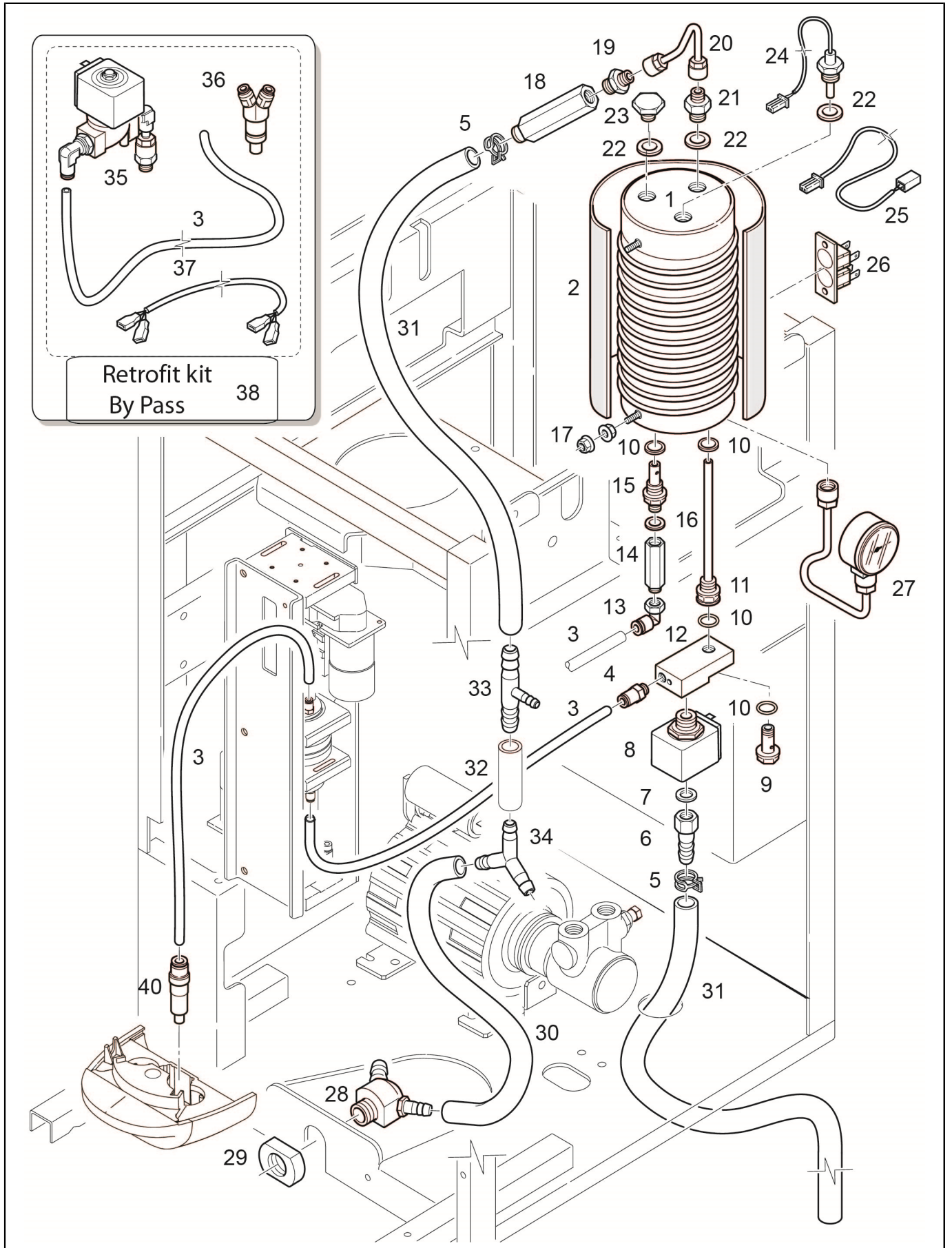
Pos.	Code	Description	Notes
1	10700989	Kit Touch Screen Egro One Capacitive	
2	10701659	Kit Keypad Button One	
	10705964	Keypad One	
	45010208	Sticker Egro Logo Small	
3	38120086	Buttons Slider Label	
4	38120088	Cover Steam Handel	
5	38120087	Cover	
6	10060189	Steam Tap/16	
7	37040411	Screw M4X 10Mm Tsp Cross Inox	
8	10705710	Hing Holder Plate	
9	37901002	Lock Bolt	
10	39920006	Clamp	
11	21000010A	Front Panel One Grey	
	21000010B	Front Panel One Black	
12	38120077	Control Panel One	
13	37040410	Screw M 4 X 10	
14	37040446	Screw M4 X 45 Hh Inox	
	37420403	Elastic Washer 4 1X10X0,9 Rip Lock	
15	38120089	Cover Steam Spout	
16	38120090	Cover Hot Water Spout	
17	10705592	Usb Wired Assy One	
	34070075	Wiring Set J6 With Usb Connector (Touch Pad)	
	36901952	Rubber Seal Touchscreen One Touch	
18	00100994.001	Coffee Outlet	
	10701101	RETROFIT KIT ONE XP NMS	
	10701144	RETROFIT KIT ONE QM NMS	
	32331405	Slider Beak Coffee One	
	32331407	Coffee Outlet Baseplate	
19	37040420	Hex Socket Head Screw M4 X 20 Mm	
20	10905117	Cover	
	10905122	Cover Quick Milk	
21	39110062	At Ball Spring	
22	37900115	Ball 1/4 100	
23	00054944	SCREW WITH SPRING ASSAY.	
24	00047077	Flow Cup Self	
	00047078	Flow Cup Standardt	
	38120180	Powder Module Outlet	
25	10701274	Outlet One Old Milk System Assy.	
	10701275	Kit Outlet One Oms Central Water	
	10701276	Outlet Bracket One Oms	
26	45010208	Sticker Egro Logo Small	



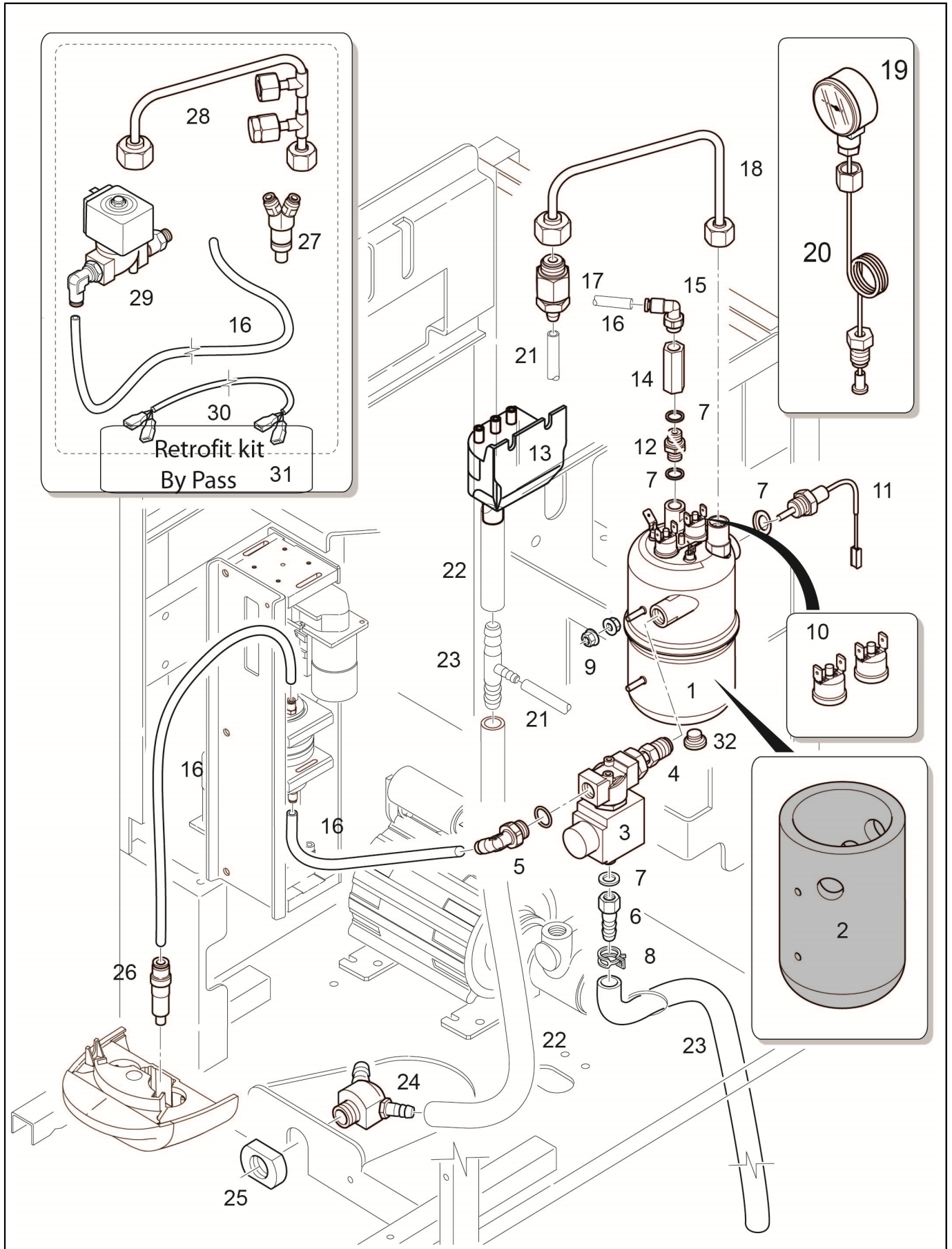
Pos.	Code	Description	Notes
1	10701395 32332283	Retrofit Kit Gum	
2	32332284		
3	32332163		
4	32332164		
5	32332165		
6	32332166	Switch Safety Cover	
7	32332167		
8	32332168	Coffee Waste Drawe Under Machine One/Byo	
9	34100021	Micro Switch	
10	37030408	Screw M 4 X 8	
11	37041020		
12	37410303		
13	38120054	Handle Coffee Waste Drawer	
14	38910003	Drain Pipe Coffee 75X100Mm	
15	69000174	Machine Foot High	
16	00001065	Raised Cheese Head Screw M3 X 16 Mm	
17	00030494	Lock Washerm3	

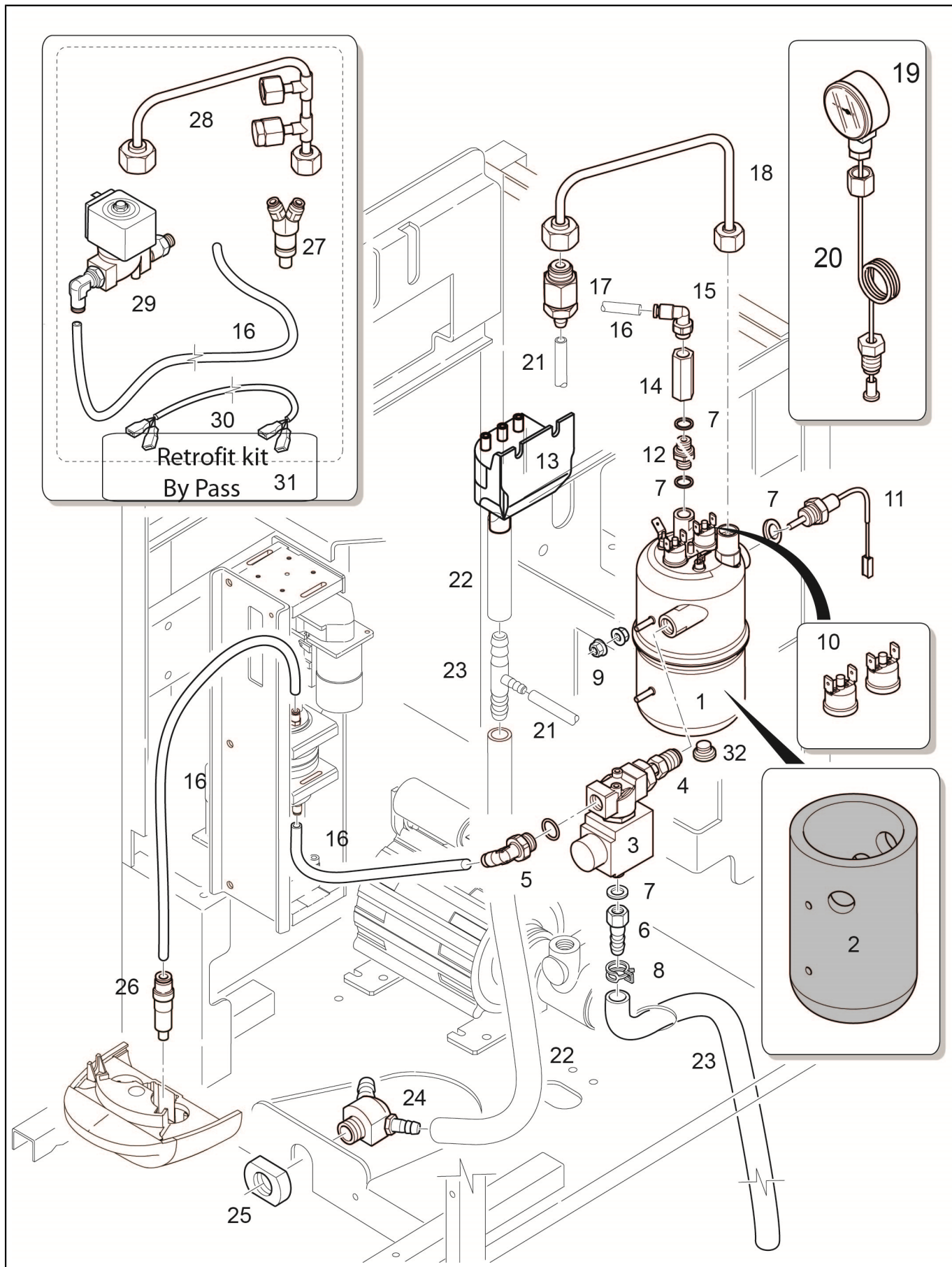


Pos.	Code	Description	Notes
1	00100804.001	Boiler 3000W Coffee Assy.	
2	00054429 36901955	Insulation With Adhesive Tape Sticky Tape 3M 50Mmx55Mt	
3	38228072	Teflon Hose Fep D. 4,0 X 2,5	
4	00055941 69200133	O-Ring Fkm V Straight Connector D.4 X M5	USA machines
5	00055794	Wire Hose Clamp 159 Mm	
6	23000322	Rubber Holder Valve Coffee Zero-One	
7	27350014	Copper Gasket 12.5X9.8X1.5	
8	00100147.001 00100149.001	Operator Kit 3/2 Way Water T30 (Acl) Plunger 3/2 Water T30 (Acl)	
9	00054923	Hollow Screw With O-Ring	
10	00002240	O-Ring 14 X 1,78 Epdm 70Sh	
11	00054107 00054920	Connection To Boiler Withdrawal Connection To Boiler Withdrawal With O-Ring	
12	00053785	Valve 3/2 Brewing	
13	69200139	Elbow Connector 4 X G1/8 Ppsu	
14	00054067	Check Valve D. G 1/8	
15	00057567	Adapter Nippled. G 1/4 X G 1/8	
16	27350014	Copper Gasket 12.5X9.8X1.5	
17	00001521	Keps Nut M5	
18	10060605	Pressure Relief Valve 12 X G1/4	
20	10705179 10705185	Expansion Valve Pipe Assy. Pressure Relief Valve With Pipe	Rohr zu Expansionsventil / Pipe for expansion valve
21	00100059.001	Double Nipple G 1/4 X G 1/4	
22	00044464	Gasket 16,5 X 13,2 X 1,5 Copper	
23	00100105.001	Joint Cap G 1/4M 1/4F	
24	10700268 10701642	Retrofit Kit Temp. Sensor One-S50 Temperature Sensor With O-Ring	
25	10110729	Extension Cable Temperature Sensor	
26	00058836	Temperature Limiter 250 C Twin	
27	10700101 10705175 35002511	Manometer 25 Bar With Pipe Manometer-Boiler Coffee Pipe Manometer Coffee Boiler D.40 0-25 Bar Cl 1,6	
28	10705809	Drain Tray Connection	
29	23000135	Nut Drain Connection	
30	00004475	Silicon Hose D. 12 X 8 Mm	
31	00004473 00100862.003	Silicon Hose D. 14 X 9 Mm Drain Pipe Kit	
32	00004473	Silicon Hose D. 14 X 9 Mm	
33	00045714	Reducing T Connector D. 12 - 6 - 12 Mm	
34	00046806	Y Unit D. 12 Mm	
35	00054430 00100559.001 00100560.001	Valve 2/2 24V Hot Water Operator Kit 2/2 Way Water T30 (Acl) Plunger 2/2 Water T30 (Acl)	
36	00050095	Pressure Valve By Pass	
37	10110704	Wiring Set J31 By Pass One	
38	00101001.001	Retrofit Kit By Pass	
40	00002195 00002207 00047934 00050095 00050096	O-Ring 5 X 1 Epdm 70Sh O-Ring 8 X 1 Epdm Pressure Valve Pressure Valve By Pass Coffee Spout Without Checkvalve	



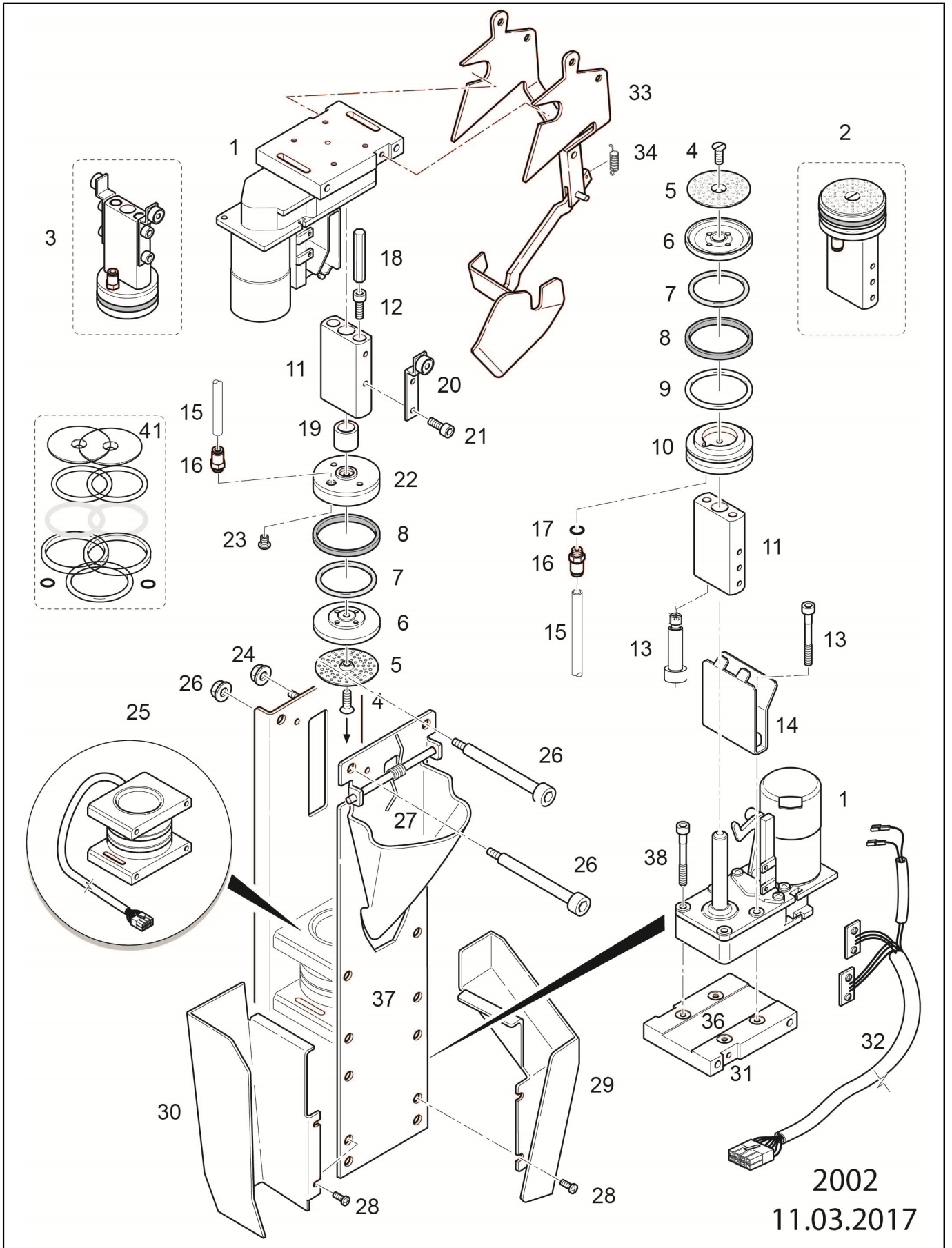
Pos.	Code	Description	Notes
	00054647	Hot Water Spout By Self Service	





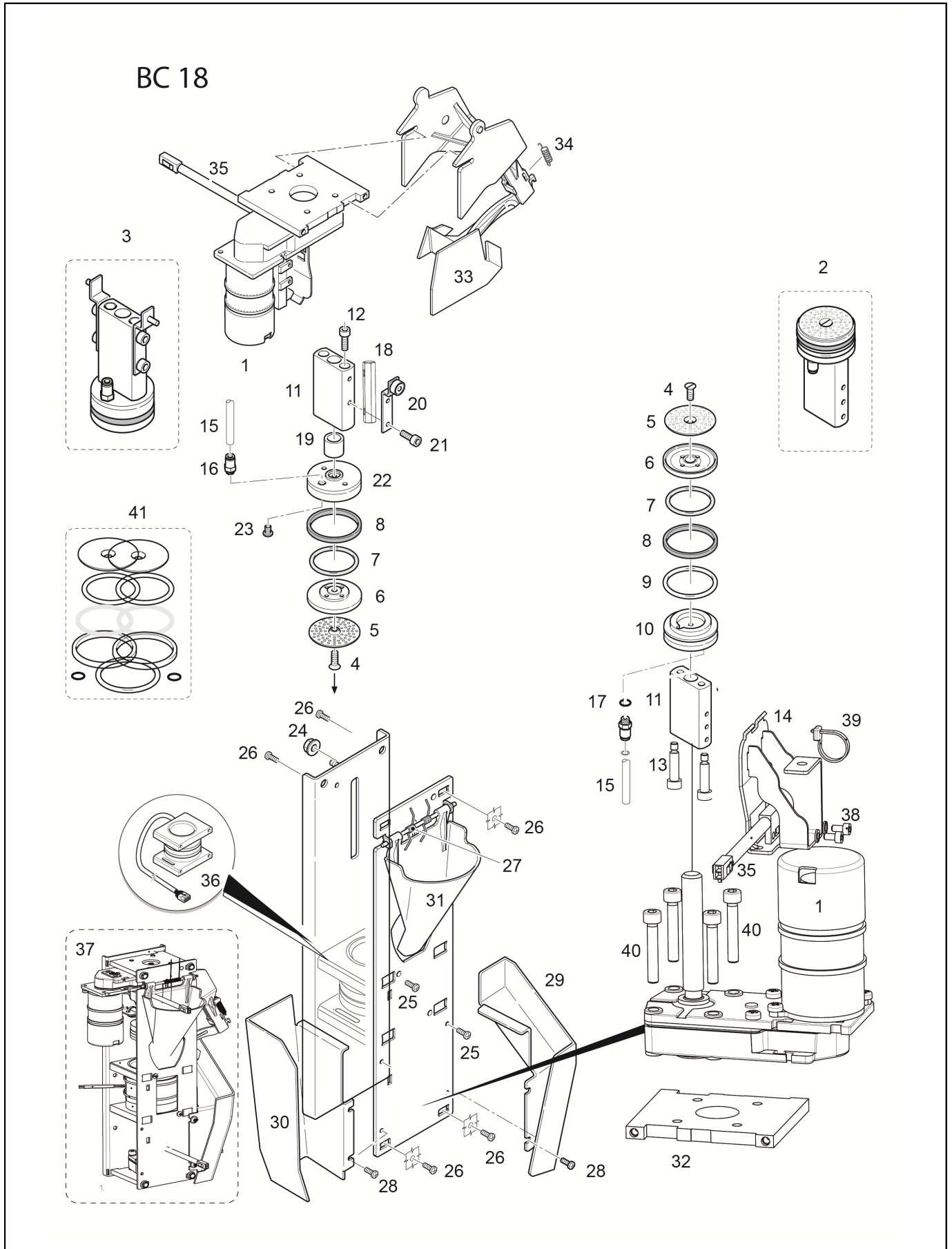
Pos.	Code	Description	Notes
31	10701148	Retrofit Kit Bypass With 2,5Kw Boiler	only for FIREM or DHE Boiler
32	23000299	Cap G1/8 Boiler One/Zero	
	27350014	Copper Gasket 12.5X9.8X1.5	

Pos.	Code	Description	Notes
1	38228073	Teflon Hose Fep D. 6 X 4	
2	00004474	Silicon Hose D. 8 X 5 Mm	
3	00004473	Silicon Hose D. 14 X 9 Mm	
4	00004475	Silicon Hose D. 12 X 8 Mm	
5	00045714	Reducing T Connector D. 12 - 6 - 12 Mm	
6	00055795	Wire Hose Clamp 17,3 Mm	
7	10700232	Valve Drain Tray	
	38120109	Drain Collector Lower Part	
	38120110	Drain Collector Upper Part	
8	69200140	Elbow Connector 6 X G1/8 Ppsu	
9	10700281	Drain Pipe Kit	
10	00045714	Reducing T Connector D. 12 - 6 - 12 Mm	
11	00100862.003	Drain Pipe Kit	

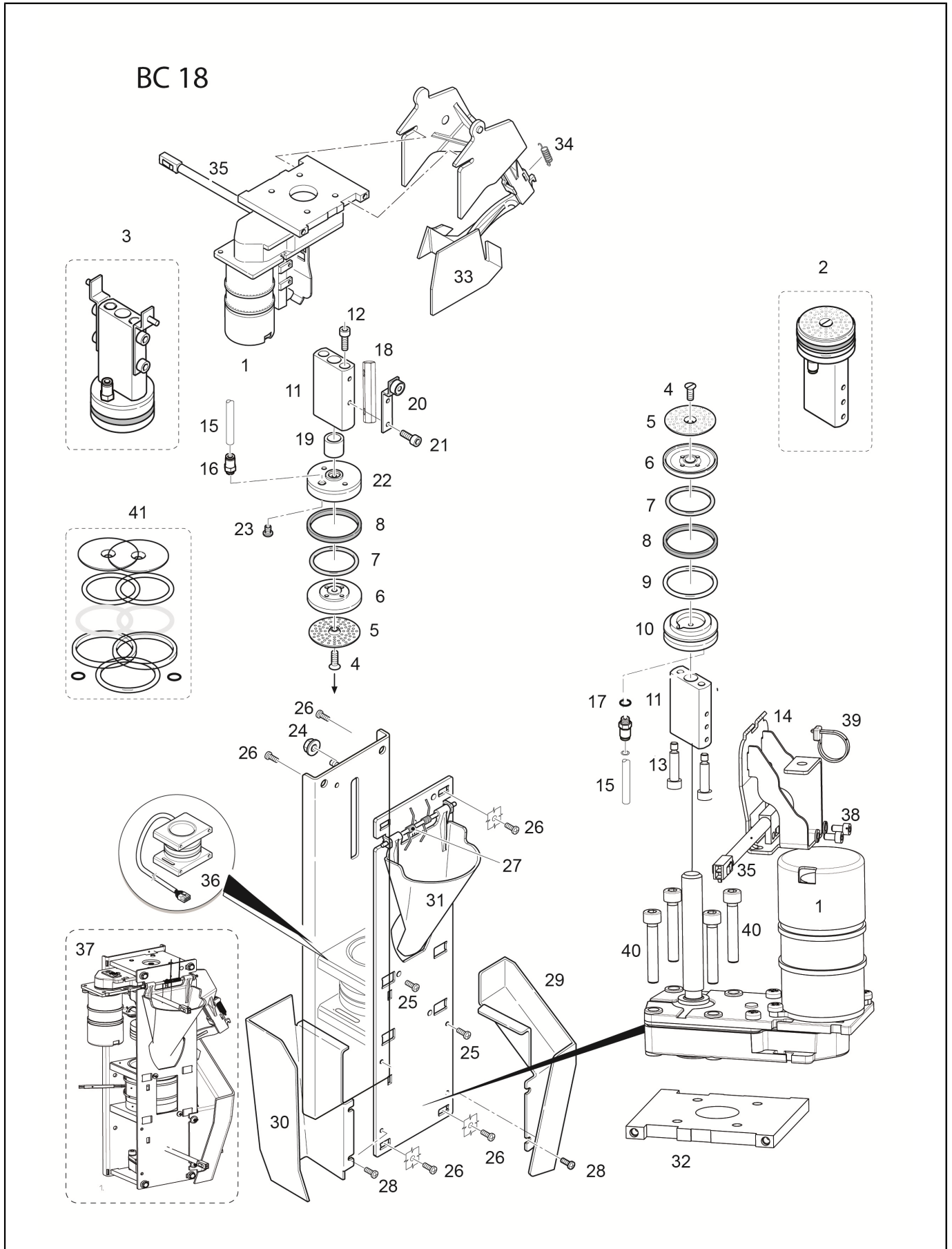


2002
11.03.2017

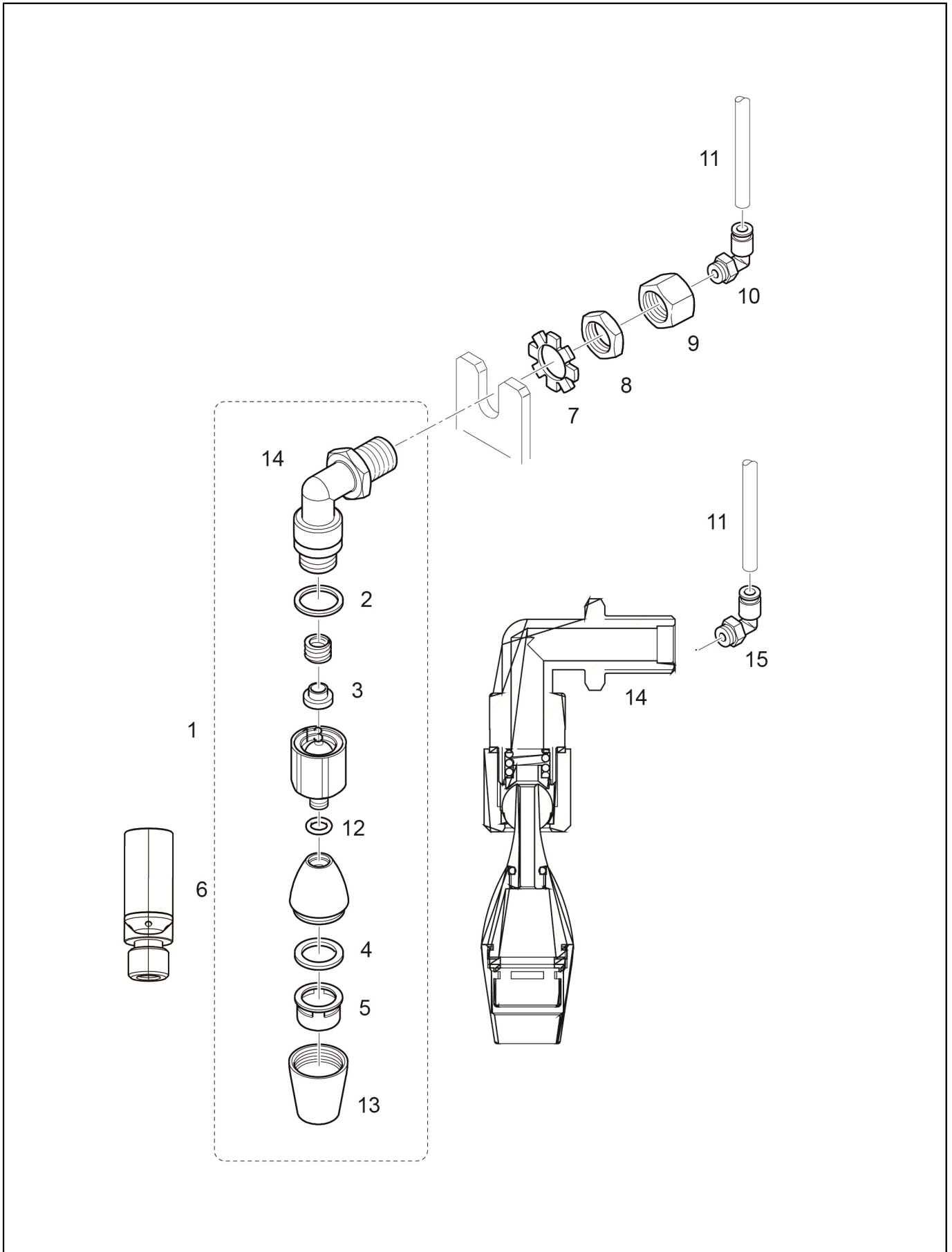
Pos.	Code	Description	Notes
1	34010009	Spindle Motor 24V 61 Mm	FN 12005659 pin 83930
2	00100510.001	Lower Brewing Piston Nbup D. 44,0Mm	
3	00100514.001	Upper Piston Assay. Nbup D. 44,0Mm	
4	00001176	Countersunk Screw M4X12 Mm	
5	00060116	Brewing Sieve D. 44 Mm	
6	00054861	Filter Carrier	
7	00100136.001	O-Ring 31,35 X 3,53 Silicone 70Sh Red	
8	00039064	Turcon Ring 39 X 44 X 4	
9	00100506.001	O-Ring 36,09 X 3,53 Silicone 70Sh	
10	36930110	Lower Piston Gr. Bc18	
11	10701050	Piston Shaft With Magnet	
12	0000930		
13	00000935	Hex Socket Head Screw M5 X 30 Mm	
14	00100523.001	Piston Guide Plate	
15	38228072	Teflon Hose Fep D. 4,0 X 2,5	
16	69200133	Straight Connector D.4 X M5	
17	00060283	O-Ring 4 X 1,2 F	
18	00045032	Nut	
19	30001048	Spacer Piston Guide	
20	00054433	Bracket For Upper Piston	
21	00000928	Hex Socket Head Screw M4 X10 Mm	
22	36930111	Upper Piston Group Bc18	
23	00048550	Flow Limiter D. 0.7	
24	00001518	Keps Nut M4	
25	00054087	Brewing Cylinder Assay. With Heater	
26	00001518	Keps Nut M4	
	00054080	Bolt M4	
	00054940	Bolt With Nut M4	
27	00060858	Transmission Assay.	
28	00046844	Screw M4 X 8 Mm	
29	10705718	Shute	
30	00048747	Grounds Slide	
31	00054220	Guiding Pin	
32	00053602	Spindle-Motor Wiring With Hall Sensor	
33	00057101	Ejector Assay.	
34	00053559	Spring	
35	00053560	Spring	
36	10701049	Spindle Motor Bracket With Cylindric Pin	2nd generation spindle motor L61 (ID 34010009)
37	10054001	Brewing Group One L61	FN 12005659 pin 83930
38	37420300	Elastic Washer 3 X 0,8	
41	00057446	Gasket Kit Brewing Group Bc18	



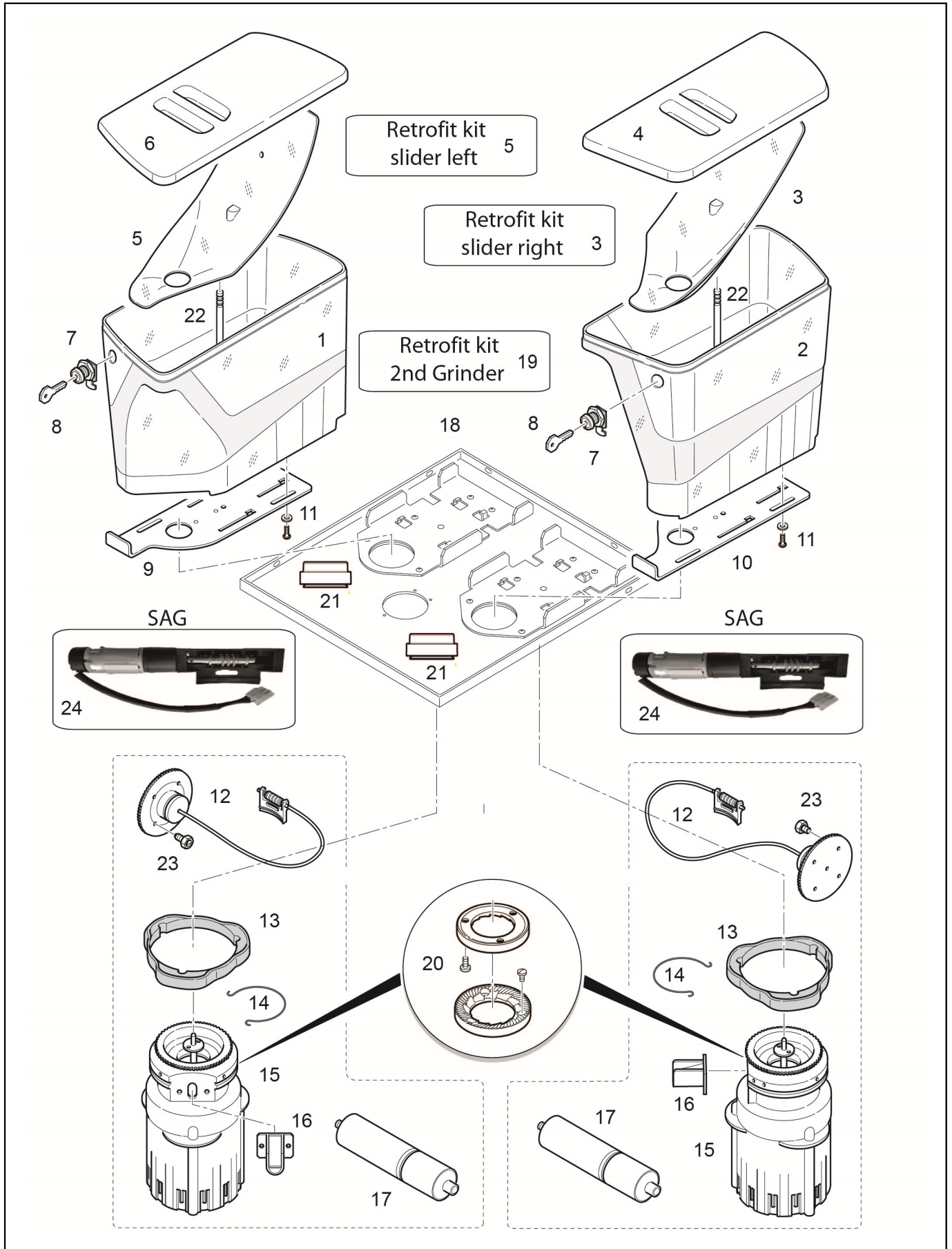
Pos.	Code	Description	Notes
1	10701051	Spindle Motor With Sensor	for Egro ONE: S/N 12009467 PIN 108293
2	10700177	Lower Piston Bc18	
3	10700176	Upper Piston Bc18	
4	00001176	Countersunk Screw M4X12 Mm	
5	00060116	Brewing Sieve D. 44 Mm	
6	00054861	Filter Carrier	
7	00100136.001	O-Ring 31,35 X 3,53 Silicone 70Sh Red	
8	00039064	Turcon Ring 39 X 44 X 4	
9	00100506.001	O-Ring 36,09 X 3,53 Silicone 70Sh	
10	36930110	Lower Piston Gr. Bc18	
11	10701050	Piston Shaft With Magnet	piston shaft for BC18, ATTENTION to the magnet position. (could be used also on L61 or previous groups, put the magnet on the opposite side) albero pistone per BC18, ATTENZIONE alla posizione del magnete. (può essere utilizzato su gruppi L61 o precedenti posizionando al contrario il magnete)
12	00000930	Hex Socket Head Screw M5 X 25 Mm	
13	00048548	Hex Socket Head Screw For Peek Pistonm4 X 15 Mm	
14	32331498	Piston Guide Reed	
15	38228072	Teflon Hose Fep D. 4,0 X 2,5	
16	69200133	Straight Connector D.4 X M5	
17	00060283	O-Ring 4 X 1,2 F	
18	00045032	Nut	
19	30001048	Spacer Piston Guide	
20	32331443	Bracket Upper Piston	
21	00000928	Hex Socket Head Screw M4 X10 Mm	
22	36930111	Upper Piston Group Bc18	
23	00048550	Flow Limiter D. 0.7	
24	00001521	Keps Nut M5	
25	37155011	Screw Atf Pt 4X10 Tcb Ph Inox	
26	37040409	Screw M4 X 8 Te	
27	00060858	Transmission Assay.	
28	00046844	Screw M4 X 8 Mm	
29	38120120	Spindle Motor Protection	
30	00048747	Grounds Slide	Fit for all generation brewing unit (L61/BC18)/ passt für alle Generationen von Brühgruppen (L61/BC18)
	38120119	Grounds Slider	does not fit for Automatic spout - use metal version 00048747 / passt nicht für Automatischen Auslauf - Metall Ausführung verwenden 00048747
31	38120115	Coffee Powder Funnel	
32	24300010	Spindle Motor Plate	
33	10700178	Ejector Brewing Group	
34	39110026	Spring Ejector	
35	34020125	End Switch Spindle Motor	
36	10701036	Brewing Chamber Bc18	
37	10054002	Brewing Group Bc18	
38	37060306	Screw M3 X 6 Tcei	
	37420300	Elastic Washer 3 X 0,8	
39	34200071	Fixing Cable Clamp	
40	00000935	Hex Socket Head Screw M5 X 30 Mm	



Pos.	Code	Description	Notes
	37040409	Screw M4 X 8 Te	
41	00057446	Gasket Kit Brewing Group Bc18	

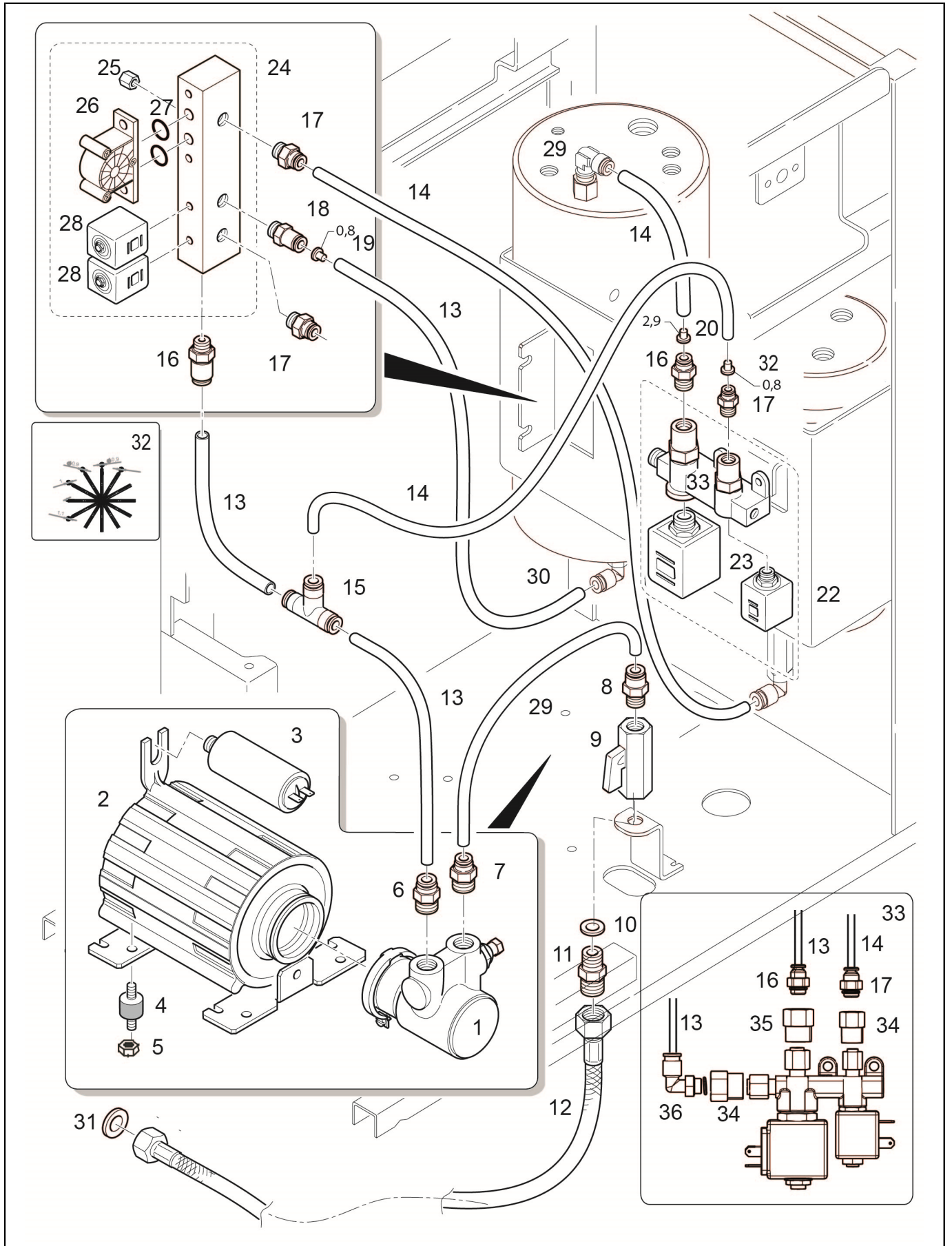


Pos.	Code	Description	Notes
1	10705245	Connection+Movement Water Inox	
2	36220009	Gasket Nut Note Teflon	
3	36930017	Teflon Gasket For Steam Wand Nut	
4	36301040	O-Ring Filter Jet Breaker	
5	10049014	Water Outlet	
	25135019	Mixing Nozzle	
6	23000144	Extension Inox M10 X 23Mm	
	25128014	Extension Inox M10 X 76Mm	
	25128015	Extention Inox M10 X 59Mm	
7	37431600	Outer Toothed Washer D16	
8	26220005	Flat Nut 3/8	
9	00100855.001	Sleeve	
10	69200140	Elbow Connector6 X G1/8 Ppsu	
	69200146	Elbow Connector 6 X G1/8	
11	38228073	Teflon Hose Fep D. 6 X 4	
12	36404022	O-RING 6,4 X 1,9 R5A	
13	25135017	Upperpart Water Sprayer	
14	20200113	Hot Water Connection Brass	
15	69200140	Elbow Connector6 X G1/8 Ppsu	

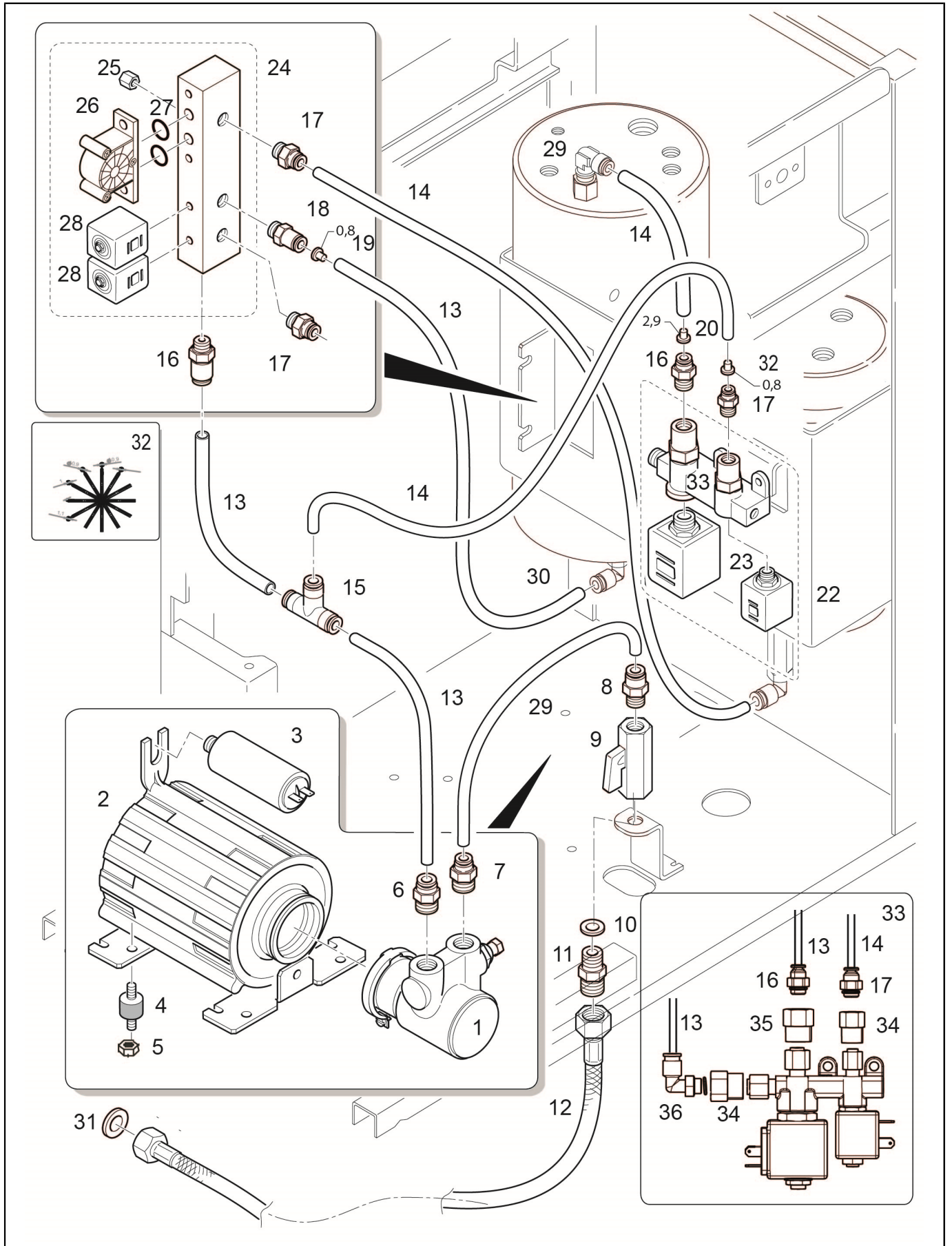


Pos.	Code	Description	Notes
1	00100878.001	Bean Hopper Assay. Left Without Lock	
	00100878.002	Bean Hopper Assay. Left With Lock	
2	00100877.001	Bean Hopper Assay. Right Without Lock	
	00100877.002	Bean Hopper Assay. Right With Lock	
3	38120580	Slider Bean Hopper Right One/15	
4	38120075	Lid For Bean Hopper Right	
5	38120581	Slider Bean Hopper Left One/15	
6	38120076	Lid For Bean Hopper Left	
7	10705529	Lock Assay. Ronis M15X17,5 With Hook 25.5Mm	
	69000337	Lock 90 M15 X 17,5	
8	69000339	Serial Key Cod 200C	
9	32331404	Slider Beans Hopper Left	
10	32331403	Slider Beans Hopper Right	
11	37113508	Selfscrew M3X8	
	37410300	Plane Washer D3.2X9	
12	10701209	Grinder Adjustment Right/15	
	10701210	Grinder Adjustment Left/15	
	10705715	Grinder Adjustement Left (Welded Frame)	
	10705716	Grinder Adjustment Right (Welded Frame)	
13	36990026	Rubber Silent Block One	
14	00101048.001	Stop Spring	
15	10705713	Grinder Assay. 220V - 50/60Hz Right	
	10705714	Grinder Assay. 220V - 50/60Hz Left	
16	00100565.001	Powder Spout(Standard)	
17	00101070.001	Capacitor 14 Mf 400Vac P2 UI	
	34020034	Capacitor 12,5Mf 450V UI	
18	10705706	Top Lid 2 Grinders	
	10705717	Top Lid 1 Grinder	
19	00101000.001	Retrofit Kit 2Nd Grinder	
20	00046933	Grinder Plates, Pair D. 54Mm With Screw	
21	36990025	Seal (Collar) / Grinder	
22	23000128	Pin Bean Hopper One Self	
23	69200073	Blocking Srewm8	
24	34010015A	Motor 24V Sag With Encoder	

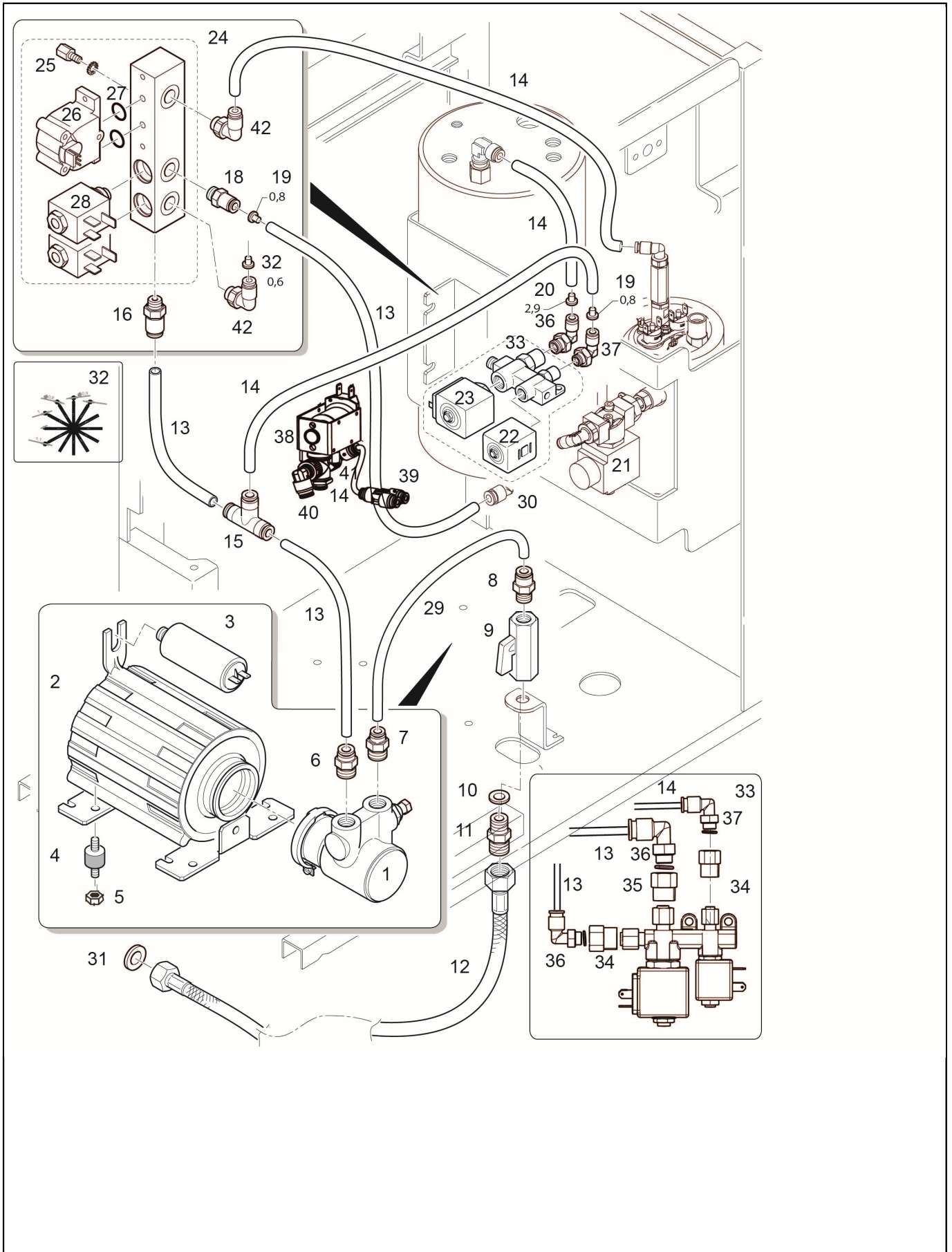
Pos.	Code	Description	Notes
1	00100802.001 10020018	Steam Boiler Assy. 3 Kw Steam Boiler Assy. 2,5Kw	
2	00054063 36901955	INSULATION Sticky Tape 3M 50Mmx55Mt	
3	10700270 33110003	HEATING ELEMENT 230V/3000W WITH GASKET	
4	36201035	Gasket Steam Boiler Resistance Garlock Egro One	
5	00100351.001	Gasket Steam Boiler	
6	00002240	O-Ring 14 X 1,78 Epdm 70Sh	
7	00100267.001	Steam Connection	
8	00100268.002	Level Sensor 140 Mm With Gasketg1/4	
9	00100793.001	Elbow Connector 6 X 6 Mm	
10	30001047	Suction Pipe	
11	00009917	GASKET 12,5 X 9,8 X 1,2 COPPER	
12	00100300.001	Temperature Limiter 140 C	
13	34160024 37030408 37430400	Lamellar Contact Screw M 4 X 8 Toothed Washer D4	
14	34200288	Pressure Sensor	
15	00100869.001	Adapter Nipple D. G 1/4 X 3/8	
16	10705232	Pipe For Pressure Transducer	
17	00100059.001	Double Nipple G 1/4 X G 1/4	
18	00100236.001	Manometer 4 Bar	
19	10705233	Pipe For Manometer	
20	00044464 10060058 36220009 36404053	Gasket 16,5 X 13,2 X 1,5 Copper ANTIVACUUM VALVE ONE Gasket Nut Note Teflon O-Ring 5,28 X 1,78 Epdm	
21	00010152 00019974 00027170 00039067 00045682	Threaded Nipple Gasket 14,8 X 9 X 2 Copper Union Nut G3/8 X 13,5Mm Relief Valve, Steam Splash Guard-Hose D. 16,0 X 45,0	
22	00060160	Brass Closing Screw	
23	00100016.005 00100116.005	Plunger 3/2 Steam T30 (Acl) Operator Kit 3/2 Ways Steam (Acl) T30	
24	00057912	Threaded Elbow, Maled. 6 Mm X G1/8	
25	37411001	Plane Washer D.10	
26	00001484	Nut M10	
27	00100013.001	O-Ring 17,17 X 1,78 F	
28	00009917 00049966 00053752	GASKET 12,5 X 9,8 X 1,2 COPPER Threaded Male Nipple With Washer G 1/8 THREADED MALE NIPPLE D. 6 MM X G 1/8	
29	00056751	Guinding Pin D.8X8	
30	00009934	LOCKING CAPG 1/8 X 14	
31	00100232.001	THREADED ELBOW, MALE D. 6 MM X G1/4	
32	37040621	Screw M 6 X 20 Inox	
33	37420601	Elastic Washer D. 6	
34	00100825.001	Steam Valve Block Assay.	
35	37040510	Screwm5 X 10Mm	
36	36404054	O-Ring 12,42 X 1,78 V 70Sh 2050	
37	23000194	Plate Steam Boiler 100 X 1/4	
38	10700998	Service Kit Steam Boiler	



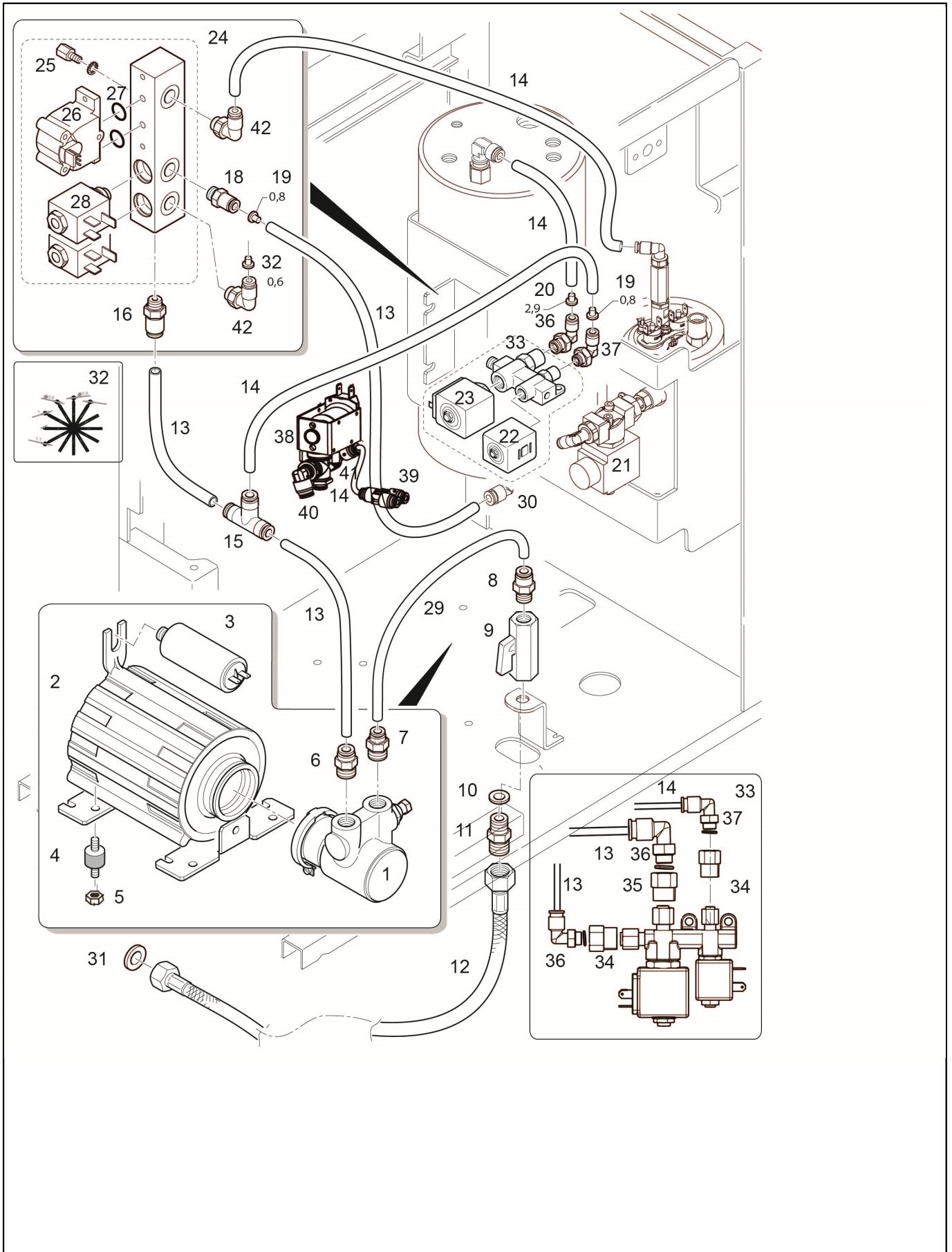
Pos.	Code	Description	Notes
1	69000288	Pump Vm 100L/H	
2	00045393 00046299 00100367.001	Pump Motor 230 V / 50 Hz - 120 W Motor 200 V Pump Motor Assay. 230 V 50/60 Hz (Usa)	
3	00042324 34020017	Capacitor Assay. 7.0 Mf 200V Capacitor 6.3Mf Lt155-255	
4	36322006	Anti-Vibrating Device 20 X 20 - M6 X 12 Sh30	
5	00001522	Keps Nut M6	
6	69200165	Straight Connector 6 X G3/8	
7	69200164	Straight Connector 8 X G3/8	
8	69200137	Straight Nipple M8 X G1/4	
9	69200131	BALL TAP G1/4	
10	00058587	Gasket 15 X 7,2 X 2,1 Rubber Epdm Perox	
11	23000288	Double Nipple G3/8 X G1/4	
12	69000737	Flex Pipe Mm1500 Nsf F3/8-F3/8 Check Valve	
13	38228073	Teflon Hose Fep D. 6 X 4	
14	38228072	Teflon Hose Fep D. 4,0 X 2,5	
15	00100897.001	T - Connectord. 6 X 4 X 6 Mm	
16	69200135	Straight Connector G1/8 X 6	
17	69200134	Straight Connector G1/8 X 4	
18	69200190	Check Valve 6 X G1/8	
19	00100899.001	Flow Limiter 0,8	
20	00100939.001	Flow Limiter D. 2.9 X 4	
21	38228074	Teflon Hose Fep D. 8 X 6	
22	34049012 34049014	Operator Kit 2/2 Ways Cold Water (T22) Plunger 2/2 Cold Water T22	
23	34049011 34049013	Operator Kit 2/2 Ways Hot Water (T30) Plunger 2/2 Hot Water T30	
24	00100313.001	Cold Water Valve Block Assay.	before S/N 12011960 PIN 119415 use ACL Valves 34049007 machines produced after S/N 12011960 use SIRAI valves 34040163 su macchine precedenti la N/F 12011960 PIN 119415 utilizzare valvole ACL 34049007 per macchine successive la N/F 12011960 utilizzare valvole SIRAI 34040163
25	00046192	Spacers	
26	00053558	Flowmeter With O-Rings	
27	00055294	O-Ring Kit For Flowmeter	
28	34049006 34049007	Plunger 2/2 Water T22 (Acl) Operator Kit 2/2 Way Water (Acl) T22	to be used on machine before S/N 12011960 PIN 119415 da utilizzare su macchine precedenti la N/F 12011960 PIN 119415 to be used on machine before S/N 12011960 PIN 119415 da utilizzare su macchine precedenti la N/F 12011960 PIN 119415
29	38228074	Teflon Hose Fep D. 8 X 6	
30	69200141	Elbow Connector G1/4X6 Ppsu	
31	00019974	Gasket 14,8 X 9 X 2 Copper	
32	38120127	Restriction Ring Little White	
33	10705759	Tea Water Mixer 24V Brass	
34	69200150	Connection M12 X 1,8G	
35	69200151	Connection M10 X 1,8G	
36	69200139	Elbow Connector 4 X G1/8 Ppsu	



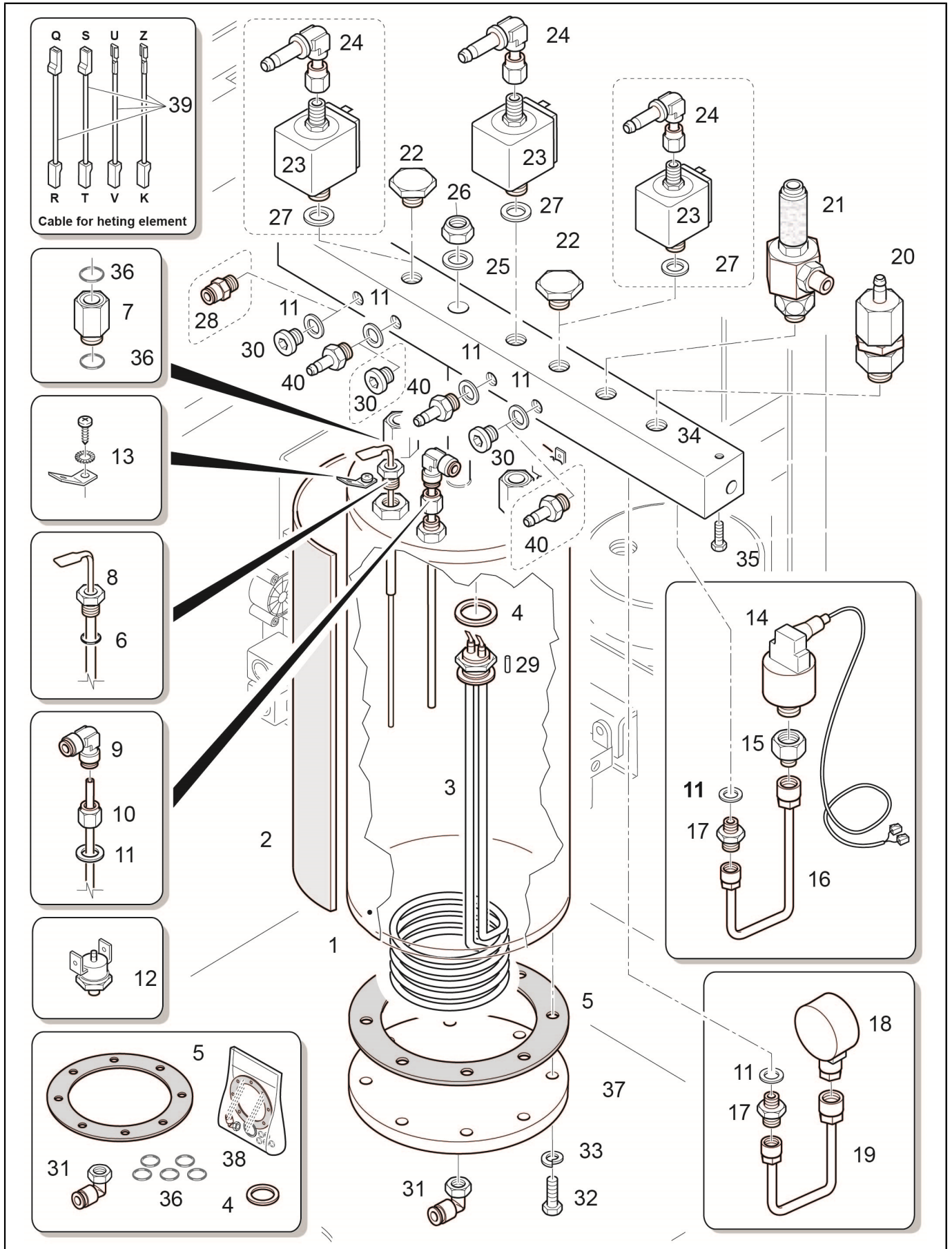
Pos.	Code	Description	Notes
	69200140	Elbow Connector6 X G1/8 Ppsu	



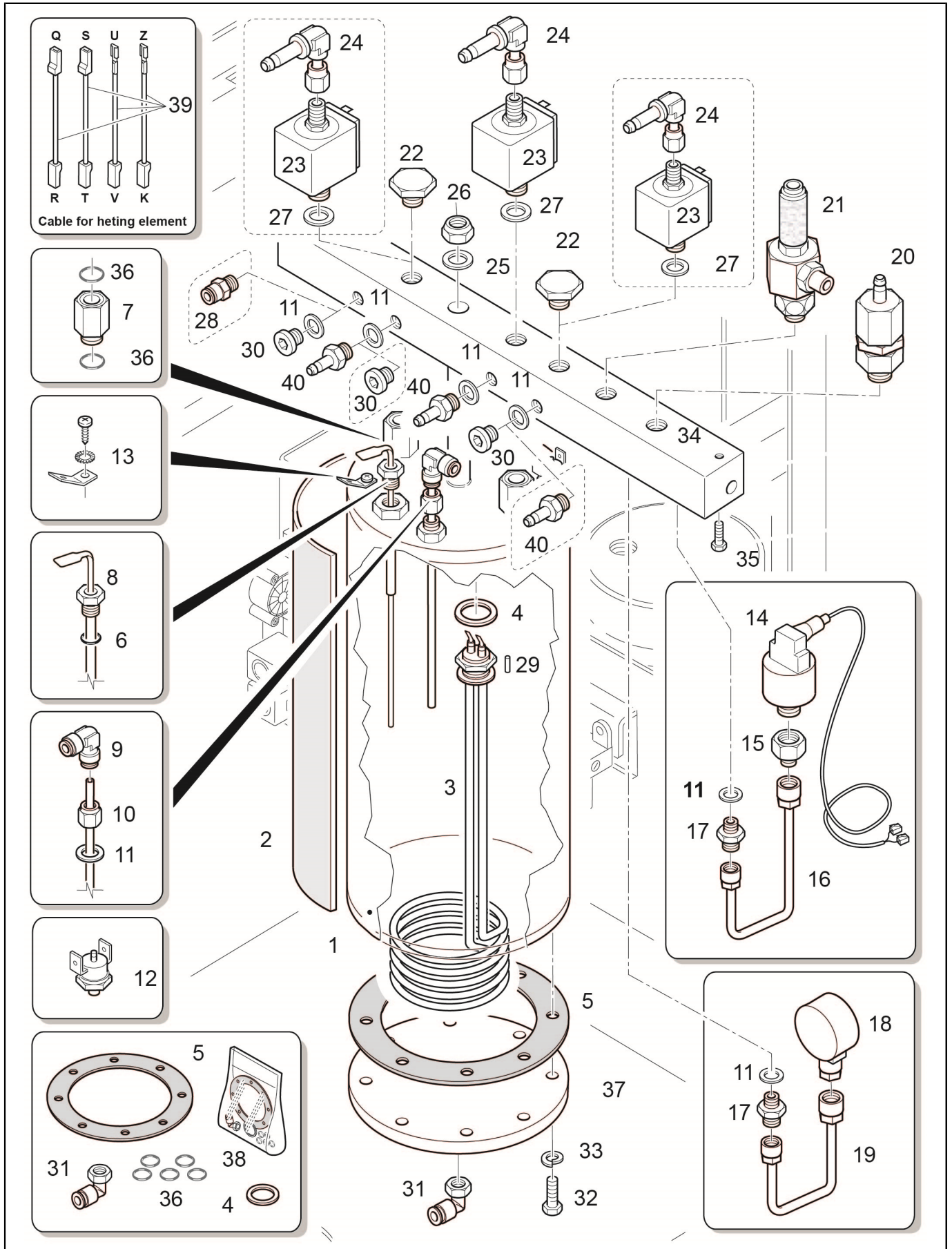
Pos.	Code	Description	Notes
1	69000288	Pump Vm 100L/H	
2	00045393	Pump Motor 230 V / 50 Hz - 120 W	
3	00042324	Capacitor Assay. 7.0 Mf 200V	
	34020017	Capacitor 6.3Mf Lt155-255	
4	36322006	Anti-Vibrating Device 20 X 20 - M6 X 12 Sh30	
5	00001522	Keys Nut M6	
6	69200136	STRAIGHT NIPPLE M6 X G3/8	
7	69200138	STRAIGHT CONNECTOR G3/8 X 8	
8	69200137	Straight Nipple M8 X G1/4	
9	69200131	BALL TAP G1/4	
10	00058587	Gasket 15 X 7,2 X 2,1 Rubber Epdm Perox	
11	23000288	Double Nipple G3/8 X G1/4	
12	69000737	Flex Pipe Mm1500 Nsf F3/8-F3/8 Check Valve	
13	38228073	Teflon Hose Fep D. 6 X 4	
14	38228072	Teflon Hose Fep D. 4,0 X 2,5	
15	00100897.001	T - Connectord. 6 X 4 X 6 Mm	
16	69200135	Straight Connector G1/8 X 6	
18	69200141	Elbow Connector G1/4X6 Ppsu	
19	00100899.001	Flow Limiter 0,8	
20	00100939.001	Flow Limiter D. 2.9 X 4	
21	00100147.001	Operator Kit 3/2 Way Water T30 (Acl)	
	00100149.001	Plunger 3/2 Water T30 (Acl)	
	10060607	Electrovalve Coffee Boiler	
	34040167	Valve 3/2 24V T30 (Sirai)	
22	34049012	Operator Kit 2/2 Ways Cold Water (T22)	
	34049014	Plunger 2/2 Cold Water T22	
23	34049011	Operator Kit 2/2 Ways Hot Water (T30)	
	34049013	Plunger 2/2 Hot Water T30	
24	00100313.001	Cold Water Valve Block Assay.	on machine before S/N 12011960 PIN 119415 use ACL valves 34049007 su macchine precedenti la N/F 12011960 PIN 119415 utilizzare valvole ACL 34049007 from S/N 12011960 PIN 119415 use SIRAI Valves 34040163 dalla N/F 12011960 PIN 119415 utilizzare valvole SIRAI 34040163
25	00046192	Spacers	
26	00053558	Flowmeter With O-Rings	
27	00055294	O-Ring Kit For Flowmeter	
28	34040163	KIT OPERATOR 2/2 T22 SIRAI	to be used on machine after S/N 12011960 PIN 119415 da utilizzare su macchine successive la N/F 12011960 PIN 119415
	34040164	Plunger 2/2 T22 (SIRAI)	to be used on machine after S/N 12011960 PIN 119415 da utilizzare su macchine successive la N/F 12011960 PIN 119415
	34049006	Plunger 2/2 Water T22 (Acl)	to be used on machine before S/N 12011960 PIN 119415 da utilizzare su macchine precedenti la N/F 12011960 PIN 119415
	34049007	Operator Kit 2/2 Way Water (Acl) T22	to be used on machine before S/N 12011960 PIN 119415 da utilizzare su macchine precedenti la N/F 12011960 PIN 119415
29	38228074	Teflon Hose Fep D. 8 X 6	
30	69200141	Elbow Connector G1/4X6 Ppsu	



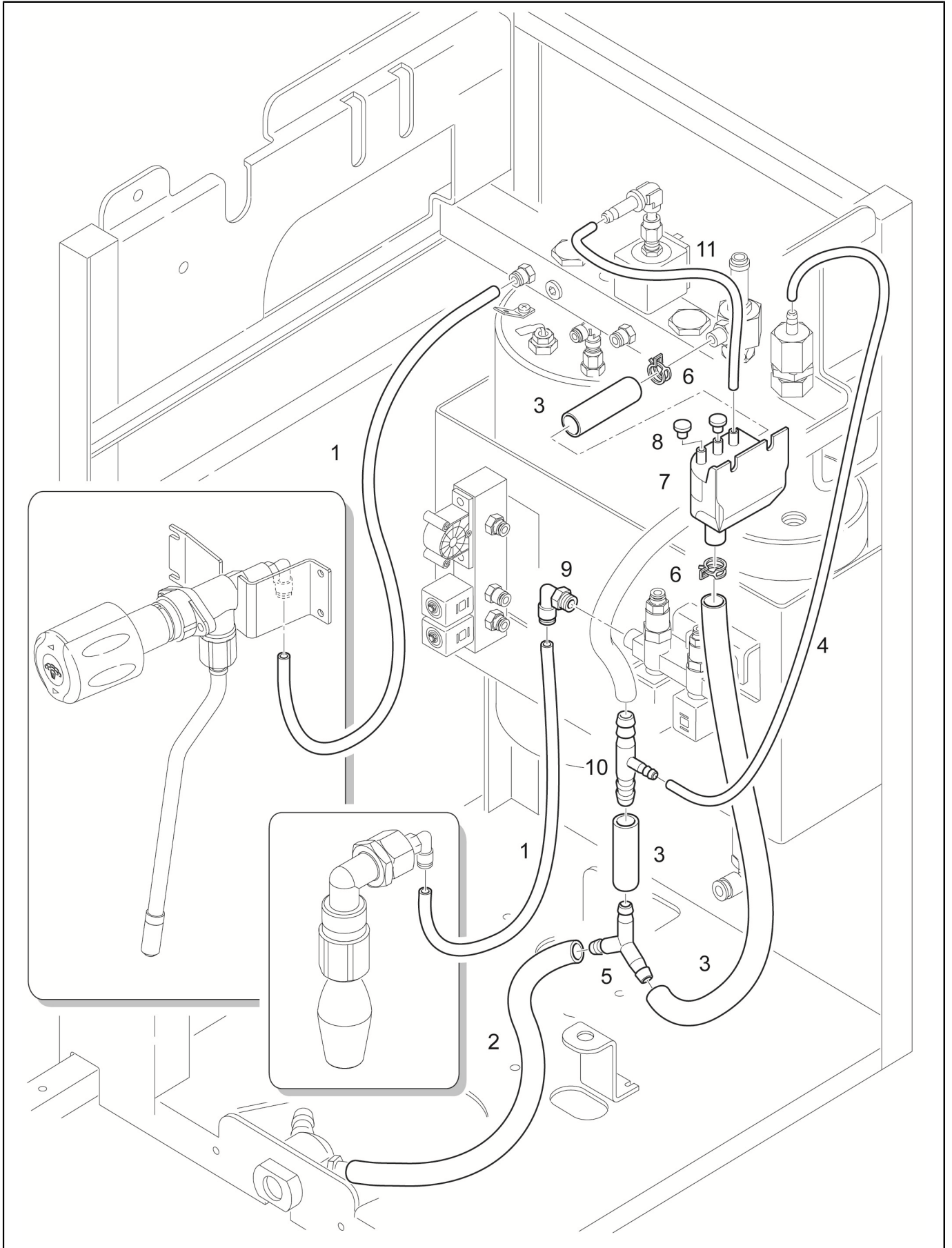
Pos.	Code	Description	Notes
31	00019974	Gasket 14,8 X 9 X 2 Copper	
32	38120127	Restriction Ring Little White	
33	10705756	Economizer 24V	
34	00100867.001	SLEEVEM12 X 1 G 1/8	
35	00100868.001	SLEEVEM10 X 1 G 1/8	
36	00053754	Threaded Elbow, Male D. 6 Mm X G1/8	
37	69200139	Elbow Connector 4 X G1/8 Ppsu	
38	34040156	Valve 3/2 24V	
39	69200115	Y CONNECTION D 4	
40	69200130	Elbow Connector 6X6	
41	00060076	PLUG IN ELBOW CONNECTOR 6X4	
42	69200142	Elbow Connector G1/4X4 Ppsu	



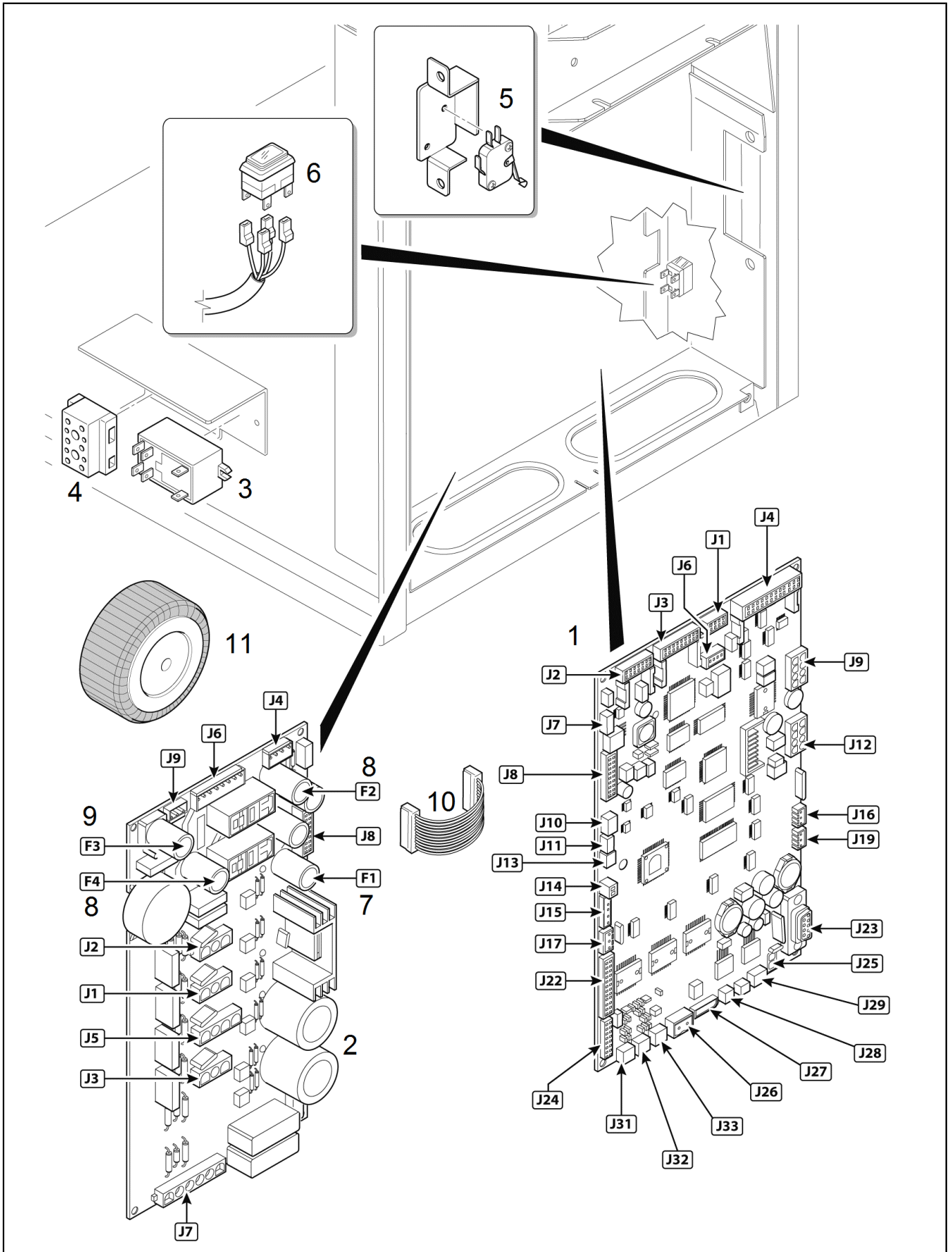
Pos.	Code	Description	Notes
1	00100802.001	Steam Boiler Assy. 3 Kw	FOR ALL OVER THE WORLD EXCEPT FOR SINGAPORE MARKET
	10020018	Steam Boiler Assy. 2,5Kw	ONLY FOR SINGAPORE VERSION
	10701374	Steam Boiler Assy. One 3Kw	
2	36901955	Sticky Tape 3M 50Mmx55Mt	
	69000417	Boiler Insulation Steam Boiler	
3	10701173	HEATING ELEMENT WITH GASKET 2500W/230V ONE	ONLY FOR SINGAPORE VERSION
	10701254	Heating Element/15 230V/3Kw+Gasket One-S50	FOR ALL OVER THE WORLD EXCEPT FOR SINGAPORE
4	36201035	Gasket Steam Boiler Resistance Garlock Egro One	
5	00100351.001	Gasket Steam Boiler	
6	00002240	O-Ring 14 X 1,78 Epdm 70Sh	
7	00100267.001	Steam Connection	
8	00100268.002	Level Sensor 140 Mm With Gasketg1/4	
9	00100793.001	Elbow Connector 6 X 6 Mm	
10	30001047	Suction Pipe	
11	27350014	Copper Gasket 12.5X9.8X1.5	
12	00100300.001	Temperature Limiter 140 C	
13	34160024	Lamellar Contact	
	37030408	Screw M 4 X 8	
	37430400	Toothed Washer D4	
14	10120004	Cable Pressure Probe	
	34200288	Pressure Sensor	
15	00100869.001	Adapter Nipple D. G 1/4 X 3/8	
16	10705232	Pipe For Pressure Transducer	
17	00100059.001	Double Nipple G 1/4 X G 1/4	
18	00100236.001	Manometer 4 Bar	
19	10705233	Pipe For Manometer	
20	00044464	Gasket 16,5 X 13,2 X 1,5 Copper	
	10060060	Vacuum Valve	
	36130008	Seat Teflon Nsf	
	36220009	Gasket Nut Note Teflon	
	36404013	O-Ring Silicone 2031	
	36404053	O-Ring 5,28 X 1,78 Epdm	
21	00010152	Threaded Nipple	
	00019974	Gasket 14,8 X 9 X 2 Copper	
	00027170	Union Nut G3/8 X 13,5Mm	
	00039067	Relief Valve, Steam	
	00045682	Splash Guard-Hose D. 16,0 X 45,0	
22	00060160	Brass Closing Screw	
23	00100016.005	Plunger 3/2 Steam T30 (Acl)	
	00100116.005	Operator Kit 3/2 Ways Steam (Acl) T30	
24	00057912	Threaded Elbow, Maled. 6 Mm X G1/8	
25	37411001	Plane Washer D.10	
26	00001484	Nut M10	
27	00100013.001	O-Ring 17,17 X 1,78 F	
28	69200135	Straight Connector G1/8 X 6	
29	00056751	Guiding Pin D.8X8	
30	23000299	Cap G1/8 Boiler One/Zero	
31	69200141	Elbow Connector G1/4X6 Ppsu	
32	37040621	Screw M 6 X 20 Inox	
33	37420601	Elastic Washer D. 6	
34	00100825.001	Steam Valve Block Assay.	
35	37040510	Screwm5 X 10Mm	



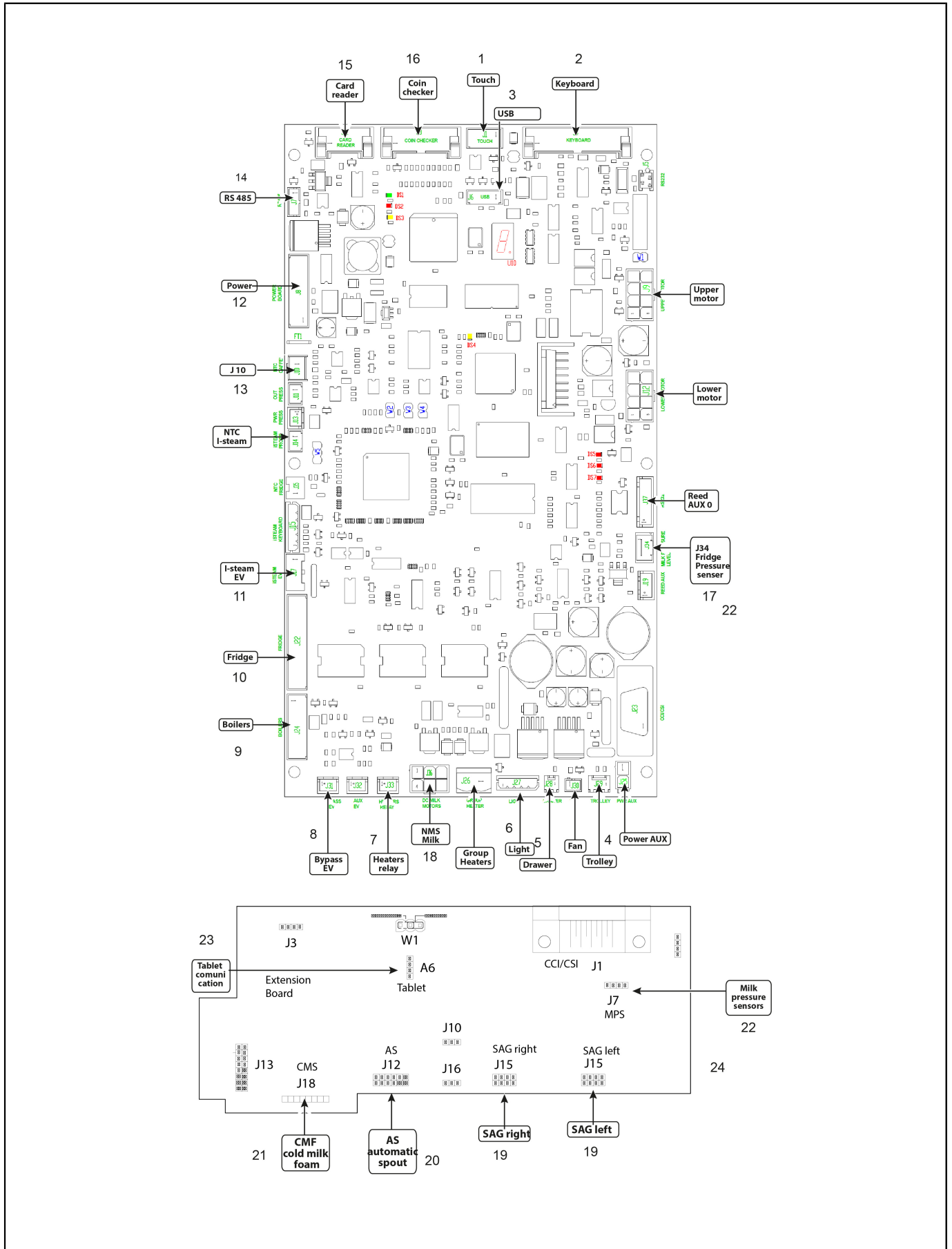
Pos.	Code	Description	Notes
36	36404054	O-Ring 12,42 X 1,78 V 70Sh 2050	
37	23000194	Plate Steam Boiler 100 X 1/4	
38	10700998	Service Kit Steam Boiler	
39	10110008	Kit Egro Boiler Wiring	
40	00049966	Threaded Male Nipple With Washer G 1/8	
	69200135	Straight Connector G1/8 X 6	XP/TM version NO NMS



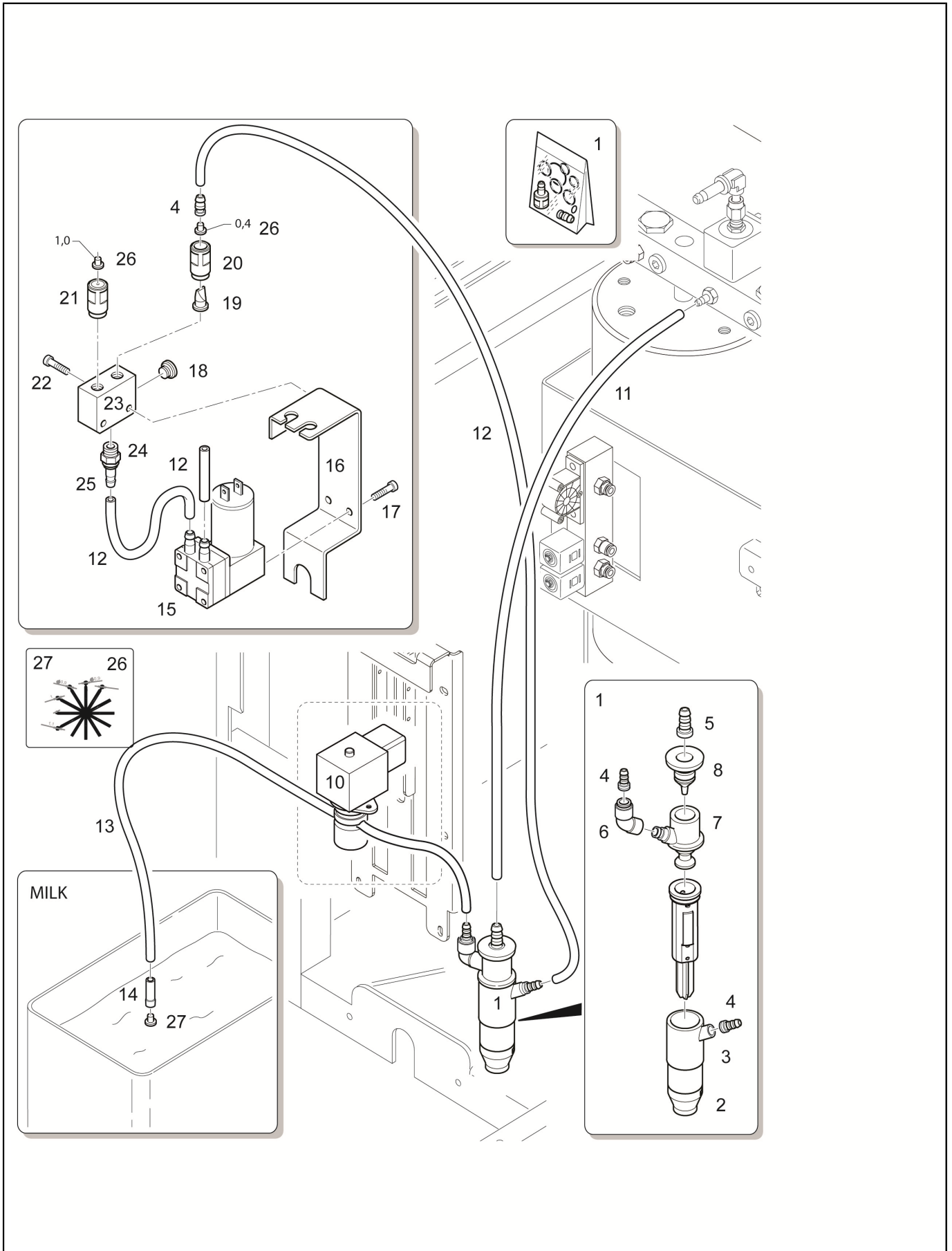
Pos.	Code	Description	Notes
1	38228073	Teflon Hose Fep D. 6 X 4	
2	00004475	Silicon Hose D. 12 X 8 Mm	
3	00004473	Silicon Hose D. 14 X 9 Mm	
4	00048474	Silicon Hose D. 7 X 4 Mm	
5	00046806	Y Unit D. 12 Mm	
6	00055795	Wire Hose Clamp 17,3 Mm	
7	10700232	Valve Drain Tray	
	38120109	Drain Collector Lower Part	
	38120110	Drain Collector Upper Part	
8	00004474	Silicon Hose D. 8 X 5 Mm	
9	69200140	Elbow Connector 6 X G1/8 Ppsu	
10	00045714	Reducing T Connector D. 12 - 6 - 12 Mm	
11	00100862.003	Drain Pipe Kit	



Pos.	Code	Description	Notes
1	10701056	Kit Cpu Board Egro One Nms	
2	10705962	Power Supply Egro One	
3	34200289	Heating Element Relay	
4	00053952	Connecting Terminal 3 P	
	34300073	Cavo H07Rn-F 5C.Sez.2,5 L=2000	
	34300075	Cavo H07Rn-F 3Capi Sez.4 L=2500	
	34300079	Cavo H07Rn-F 5C.Sez.4 L=2500	
5	34100021	Micro Switch	
6	34030077	Main Switch	
7	00003285	Fuset8A 250V 5X20Mm	
8	34200177	Fuse 2A 5X20	
9	00003280	Fuse F6,3A 250V 5X20Mm	
10	10110701	Cable Powersupply-Cpu One	
11	34200269	Transformer 140Va	



Pos.	Code	Description	Notes
1	10110705	Wiring Set Touchscreen One	
2	00044846	Flat Cable 600Mm	
3	10110706 34070075	Extension Usb-Cable Wiring Set J6 With Usb Connector (Touch Pad)	
4	10110714	Wiring Set J29	
5	10110717	Wiring Set J28	
6	10705592	Usb Wired Assy One	
7	10110716	Wiring Set J33 Relays	
8	10110704 10110867	Wiring Set J31 By Pass One Wiring Valves Sirai	
9	10110867	Wiring Valves Sirai	
10	10110709 10110715 10110759 10110821 10701324	Wiring Set J22 Ks7 Wiring Set J22 One Quick Milk Wiring Milk Pump Module Ks9 Wiring Set J22 One Quick Milk Nms Extension Kit - Undercounter Fridge	
11	10110703 10110874	Wiring Set J17 Isteam Wiring Electrovalve Isteam 3Valves Cc	
12	10110712	WIRING SET J10 EXTENSION WIRING COFFEE PROBE ONE	
13	10110701	Cable Powersupply-Cpu One	
14	10110728	Wiring Powder Module - Coffee Machine	
15	10110001 10110002	Flat Cable Pay System Machine 16 Poles Flat Cable Smart Card 10 Poles	
16	00034550 34200071 34200301	Cable Tie 2,5 X 200 Mm Fixing Cable Clamp CLAMP L.155X4,8MM	
17	10110835 10110837 10110839 10110976	Pressure Sensor Cable Set Nms 1Milk Extension Cable Pressure Sensor 4Pole Pressure Sensor Cable Set 2Milk Cable Milk Sensor Nms	Kabel Drucksensor von Maschine / cable pressure sensor from machine
19	10110962	Wiring Sag	
20	10110961	Wiring As	
21	10110959 10110960	Wiring Valve Pump Module Cmf Ks9 Wiring Cmf Valves	
22	10110835 10110837	Pressure Sensor Cable Set Nms 1Milk Extension Cable Pressure Sensor 4Pole	
23	10110958	Wiring Tablet Byo Fix	
24	34070236	Cable Button Display Byo	



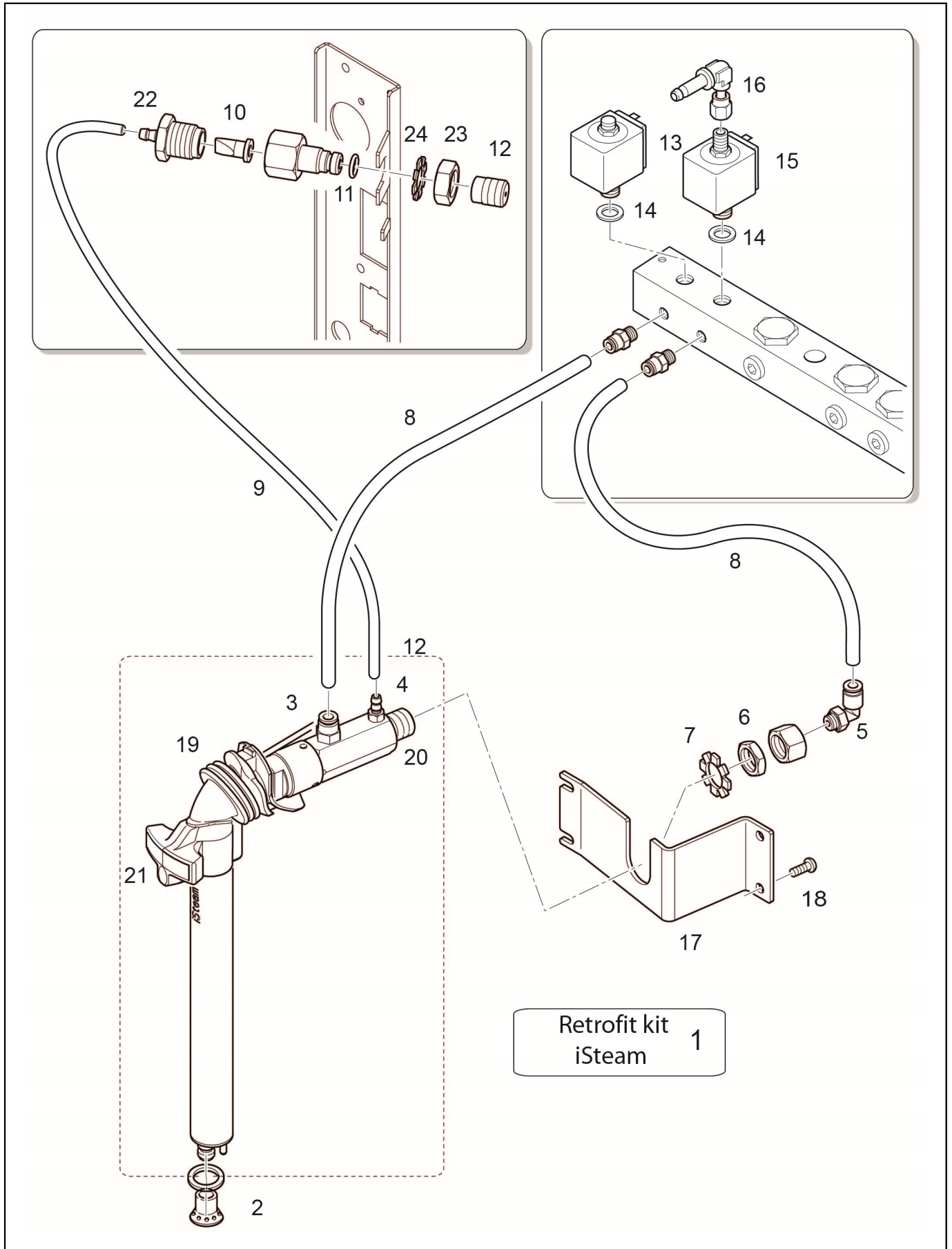
Pos.	Code	Description	Notes
1	00056913 00100064.001	O-Ring Kit Frother Head Mixer Kit	
2	00100027.002	Mixer Cap	
3	10700226	Lower Part Foamer Head	
4	00100063.001 10700952	Connector Aire Kit Air Pipe For Foamer Head	
5	00100062.002	Steam Connection	
6	00100028.001 00100032.001	Reduction Junction Connector Milk	
7	00100034.001	Mixer	
8	00100031.020		
10	00055455 10705730 34040123	Pinch Valve Big 7.9Mm RETROFIT KIT ONE PINCH-VALVE OLD MILK SYSTEM Pinch Valve Small 5.5Mm	
11	00049037	SILICON HOSE PINK D. 6,0 X 3,0 MM	
12	00049209 00050010.001	Silicon Hose D. 7,0 X 3,0 Mm Silicon Hose D. 6,0 X 3,0 Mm	
13	00048474 00060162 38228005	Silicon Hose D. 7 X 4 Mm Silicon Hose Blue (Kb) 50Shore D. 7,0 X 4,0 Mm Silicon Tube D.6X4	
14	10700005 23000196	Reduction Kit Sucking Nozzle	
15	00061106 00100743.001	Air Pump With Bracket Compl. Air Pump	
16	32331436	Air Pump Bracket One	
17	00048543 00100771.408	Washer M4 Inox CROSSED RAISED CHEESE HEAD SCREW L = 8MM	
18	00009917 69200132	GASKET 12,5 X 9,8 X 1,2 COPPER Cap G1/8 Aisi 316	
19	36230017	Duckbill Valve	
20	38120106	Valve Insert Duckbill	
21	38120111	Duckbill Block Reduction Block One	
22	00000930	Hex Socket Head Screw M5 X 25 Mm	
23	10705806 38120105	Air Valve Quick Milk One Electrovalve Air	
24	69200134	Straight Connector G1/8 X 4	
25	00055974	Double Plug-In Nipple D. 4 Mm	
26	38120127	Restriction Ring Little White	
27	38120128	Restriction Ring Big Black	



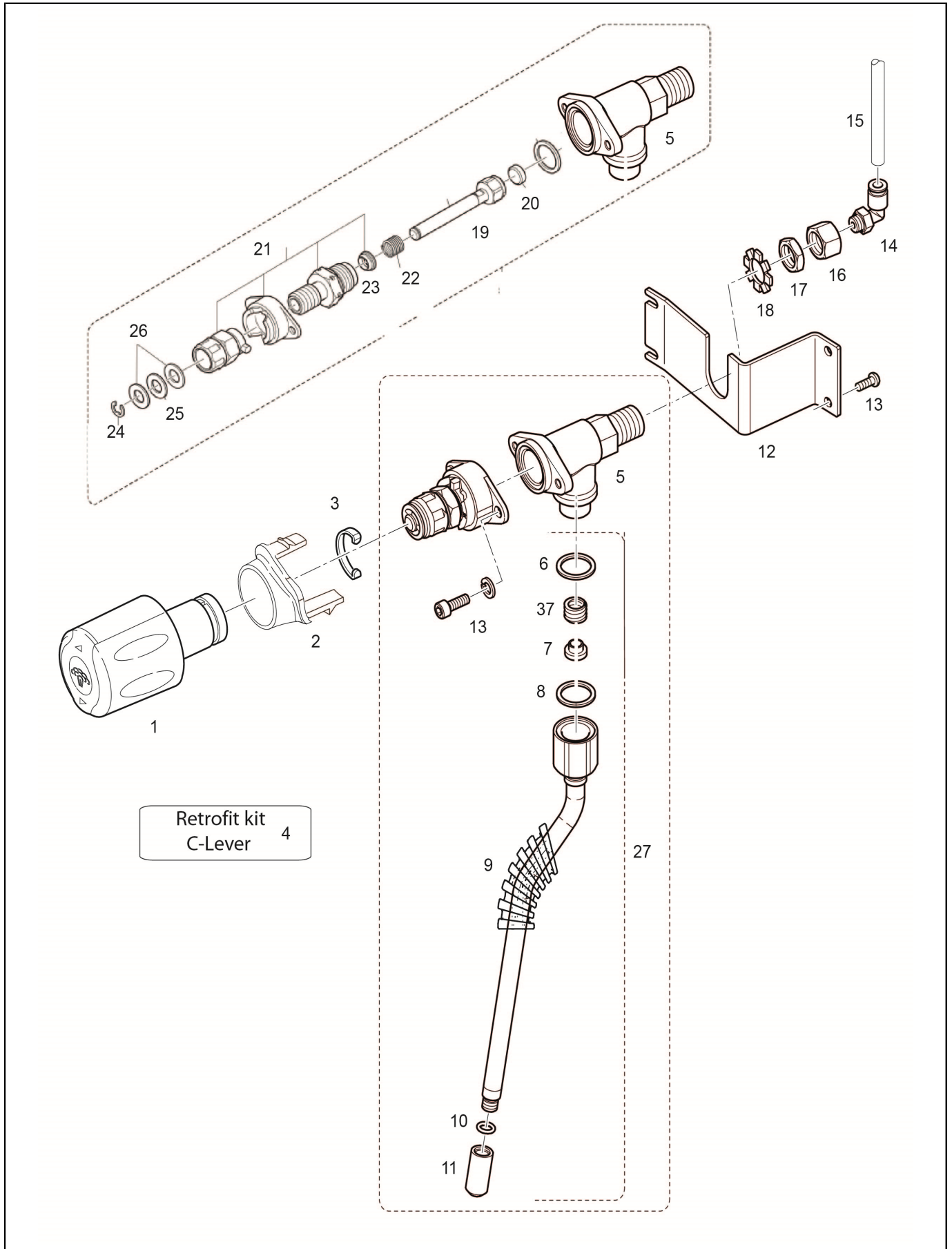
Pos.	Code	Description	Notes
1	10701101	RETROFIT KIT ONE XP NMS	
	10701142	Qm Nms Outlet Slider One/Zero Assy.	
	10701143	Tm Xp Nms Outlet Slider Assy.	
	10701144	RETROFIT KIT ONE QM NMS	
2	10701022	Air Injector	
3	10701019	Central Injector/14	
4	10701020	Coffee Injector	
5	10701023	Steam Injector Qm	
6	10701018	Injector Nms	
7	10701021	Milk Injector Quick Milk/14	
8	00030511	Screw	
9	38120210	Upper Spout Nms	
10	38120209	Lower Spout Nms D5.5	optimized for espresso
	38120277	Coffee Outlet Lower Part D.6,3	for long coffees / americano
11	38120211	Handle Brewing Outlet	
12	10701022	Air Injector	
13	10701024	Steam Injector Tm/Qmpro	
14	10701018	Injector Nms	
15	38120150	Chocolate Pipe Connector	
16	36990067	Powder Module Connection In Spout	
17	32331775	Bracket Powder Outlet	
18	37510400	Snap Ring D. 4	
19	38120216	Upper Powder Pipe	
20	38120215	Lower Powder Pipe	
21	37900105	INOX BALL DIAM. 1/4	
22	39110062	At Ball Spring	
23	10905117	Cover	
24	00100043.001	O-Ring 6,75 X 1,78 Mvq	
25	00100038.001	O-Ring 8,73 X 1,78 Mvq	
26	00001951	Snap Ring D. 6 Inox	
27	00001951	Snap Ring D. 6 Inox	
28	38228072	Teflon Hose Fep D. 4,0 X 2,5	
29	00060162	Silicon Hose Blue (Kb) 50Shore D. 7,0 X 4,0 Mm	
30	00050010.001	Silicon Hose D. 6,0 X 3,0 Mm	
31	38228005	Silicon Tube D.6X4	
32	10701028	Air Pump Assy. Quick Milk Nms	
	10701029	Air Pump Assy. Top Milk Nms	
	34011035		
33	00055794	Wire Hose Clamp 159 Mm	
	69200127	Y Connection D 4 Silicon Pipe	
	69200128	T Fast Connector With Check Valve	
34	00001062	Raised Cheese Head Screw M3 X 6 Mm	
	00048543	Washer M4 Inox	
	00100771.408	CROSSED RAISED CHEESE HEAD SCREW L = 8MM	
	32331786	Air Pump Bracket	
	37420300	Elastic Washer 3 X 0,8	
35	34040158	Valve 3/2 24V 5.5W	
36	23000277	Flow Limiter D. 3Mm Connection M5 X 6	
	36404056	O-Ring 3,68X1,78 Epdm 70Sh Nsf Teflon 2015	
37	69200139	Elbow Connector 4 X G1/8 Ppsu	
38	00054938	Threaded Male Nipple With Washerg 1/8 And Gasket	
39	32331778	Pinch Valve Bracket Nms	
	34040123	Pinch Valve Small 5.5Mm	
40	37020408	Screw M4 X 8 Tsp Inox	



Pos.	Code	Description	Notes
	37420401	Elastic Washer Diam.4	
	69200067	Screw M4X5 Inox	



Pos.	Code	Description	Notes
1	10701627 10705590	Retrofit Kit Isteam One/19 Isteam Assay.	250mm
2	23000098V 36404022	Isteam Sprayer O-RING 6,4 X 1,9 R5A	
3	69200135	Straight Connector G1/8 X 6	
4	23000100	Gasket-Holder Venturi Isteam	
5	69200140	Elbow Connector 6 X G1/8 Ppsu	
6	26220005	Flat Nut 3/8	
7	37431600	Outer Toothed Washer D16	
8	38228073	Teflon Hose Fep D. 6 X 4	
9	00050010.001	Silicon Hose D. 6,0 X 3,0 Mm	
10	10701437 36230017 36230021	Air Inlet Valve Isteam/17 Duckbill Valve Duckbill Valve	Replacement for 36230017 / Ersatz für 36230017
11	10701437 36404013	Air Inlet Valve Isteam/17 O-Ring Silicone 2031	
12	23000092 23000093 23000192	Flow Limiter 0,25 Isteam/Yousteam Flow Limiter 0,35 Isteam/Yousteam Flow Limiter 0,15 Isteam	
13	00100559.001 00100560.001	Operator Kit 2/2 Way Water T30 (Acl) Plunger 2/2 Water T30 (Acl)	
14	00100013.001	O-Ring 17,17 X 1,78 F	
15	00100016.005 00100116.005	Plunger 3/2 Steam T30 (Acl) Operator Kit 3/2 Ways Steam (Acl) T30	
16	00057912	Threaded Elbow, Maled. 6 Mm X G1/8	
17	32331413	Bracket	
18	37040410	Screw M 4 X 10	
19	36990024	Collar Isteam	
20	36404054	O-Ring 12,42 X 1,78 V 70Sh 2050	
21	10701363	Isteam Keypad/16	
22	36990058	RUBBER HOLDER AIR ISTEAM	
23	37321201	Nut M12	
24	37431200	Toothed Washer D. 12,5	



Pos.	Code	Description	Notes
1	10060189	Steam Tap/16	
2	38120087	Cover	
	38120088	Cover Steam Handel	
3	32210001	Steam Handle Spring	
4	00100998.001	Retrofit Kit C-Lever	
	10701326	Retrofit Kit C-Lever Cool Touch	
5	10060155	Fast Steam Tap Left No Connector	
6	36220009	Gasket Nut Note Teflon	
7	36930016	Gasket Teflon Connection Steam Wand	
8	36930017	Teflon Gasket For Steam Wand Nut	
9	10049112	Steam Pipe Inox Lg 25	
	10049121	Cool Touch Wand Classe 7	
	10701426	Cooltouch Wand/17	
	36990004	Rubber For Steam Pipes	
10	36404022	O-RING 6,4 X 1,9 R5A	
11	23212035	Steam Sprayer Lg44 D1.5	
	25111006	Steam Nozzle	
12	32331413	Bracket	
13	37040510	Screwm5 X 10Mm	
14	69200140	Elbow Connector6 X G1/8 Ppsu	
15	38228073	Teflon Hose Fep D. 6 X 4	
16	00100855.001	Sleeve	
17	26220005	Flat Nut 3/8	
18	37431600	Outer Toothed Washer D16	
19	10060001	Nut+Steam Cock Gasket	
	10060002	Rod+Nut And Steam Cock Gasket	
20	36301105	Gasket For Nut Steam Tap Epdm	
21	10701240	Kit Clever/15 Cams Peek Left	
22	39110035	Water-Steam Cock Spring	
23	36990078	Shaft Gasket Fast Tap	
24	37510700	Snap Ring D. 7	
25	36230001	Teflon Washer	
26	32239044	New Steam Cock Washer	
27	10706035	Steam Pipe+Junction One	
28	39110038	Spring Connection Steam Tap	

Code	No. table	Pos.	Code	No. table	Pos.	Code	No. table	Pos.
00000928	2002	21	00045032	2002	18	00054649	1000	15
00000928	2002_02	21	00045032	2002_02	18	00054861	2002	6
00000930	2002_02	12	00045393	2007	2	00054861	2002_02	6
00000930	6003	22	00045393	2007_02	2	00054920	2000	11
00000935	2002	13	00045682	2006	21	00054923	2000	9
00000935	2002_02	40	00045682	2009	21	00054938	6003_02	38
00001062	6003_02	34	00045714	2000	33	00054940	2002	26
00001065	1010	16	00045714	2000_02	23	00054944	1001	23
00001176	2002	4	00045714	2001_02	10	00055294	2007	27
00001176	2002_02	4	00045714	2001_02	5	00055294	2007_02	27
00001484	2006	26	00045714	2011	10	00055455	6003	10
00001484	2009	26	00046069	1000	16	00055557	1000	15
00001518	2002	24	00046069	1000	18	00055794	2000	5
00001518	2002	26	00046192	2007	25	00055794	2000_02	8
00001521	2000	17	00046192	2007_02	25	00055794	6003_02	33
00001521	2000_02	9	00046299	2007	2	00055795	2001_02	6
00001521	2002_02	24	00046806	2000	34	00055795	2011	6
00001522	2007	5	00046806	2011	5	00055941	2000	4
00001522	2007_02	5	00046844	1000	9	00055974	6003	25
00001951	6003_02	26	00046844	2002	28	00056751	2006	29
00001951	6003_02	27	00046844	2002_02	28	00056751	2009	29
00002195	2000	40	00046933	2005	20	00056913	6003	1
00002195	2000_02	26	00047077	1001	24	00057101	2002	33
00002207	2000	40	00047078	1001	24	00057446	2002	41
00002240	1000	17	00047934	2000	40	00057446	2002_02	41
00002240	2000	10	00047934	2000_02	26	00057567	2000	15
00002240	2006	6	00048474	2011	4	00057912	2006	24
00002240	2009	6	00048474	6003	13	00057912	2009	24
00003280	3000	9	00048543	6003	17	00057912	4000	16
00003285	3000	7	00048543	6003_02	34	00058587	2007	10
00004473	2000	31	00048548	2002_02	13	00058587	2007_02	10
00004473	2000	32	00048550	2002	23	00058836	2000	26
00004473	2001_02	3	00048550	2002_02	23	00060076	2007_02	41
00004473	2011	3	00048747	2002	30	00060116	2002	5
00004474	2000_02	21	00048747	2002_02	30	00060116	2002_02	5
00004474	2001_02	2	00049037	6003	11	00060160	2006	22
00004474	2011	8	00049209	6003	12	00060160	2009	22
00004475	2000	30	00049966	2006	28	00060162	6003	13
00004475	2000_02	24	00049966	2009	40	00060162	6003_02	29
00004475	2001_02	4	00050010.001	4000	9	00060283	2002	17
00004475	2011	2	00050010.001	6003	12	00060283	2002_02	17
0000930	2002	12	00050010.001	6003_02	30	00060858	2002	27
00009917	2006	11	00050095	2000	36	00060858	2002_02	27
00009917	2006	28	00050095	2000	40	00061106	6003	15
00009917	6003	18	00050095	2000_02	27	00100013.001	2006	27
00009934	2006	30	00050096	2000	40	00100013.001	2009	27
00010152	2006	21	00052557	2000_02	22	00100013.001	4000	14
00010152	2009	21	00053558	2007	26	00100016.005	2006	23
00019974	2006	21	00053558	2007_02	26	00100016.005	2009	23
00019974	2007	31	00053559	2002	34	00100016.005	4000	15
00019974	2007_02	31	00053560	2002	35	00100027.002	6003	2
00019974	2009	21	00053602	2002	32	00100028.001	6003	6
00027170	2006	21	00053752	2006	28	00100031.020	6003	8
00027170	2009	21	00053754	2007_02	36	00100032.001	6003	6
00030494	1010	17	00053785	2000	12	00100034.001	6003	7
00030511	6003_02	8	00053952	3000	4	00100038.001	6003_02	25
00034550	3001	16	00054063	2006	2	00100043.001	6003_02	24
00039064	2002	8	00054064	2000_02	12	00100059.001	2000	21
00039064	2002_02	8	00054067	2000	14	00100059.001	2006	17
00039067	2006	21	00054080	2002	26	00100059.001	2009	17
00039067	2009	21	00054087	2002	25	00100062.002	6003	5
00042324	2007	3	00054107	2000	11	00100063.001	6003	4
00042324	2007_02	3	00054220	2002	31	00100064.001	6003	1
00044464	2000	22	00054429	2000	2	00100105.001	2000	23
00044464	2006	20	00054430	2000	35	00100116.005	2006	23
00044464	2009	20	00054433	2002	20	00100116.005	2009	23
00044846	3001	2	00054647	2000	40	00100116.005	4000	15

Code	No. table	Pos.	Code	No. table	Pos.	Code	No. table	Pos.
00100136.001	2002	7	00101000.001	2005	19	10700177	2002_02	2
00100136.001	2002_02	7	00101001.001	2000	38	10700178	2002_02	33
00100147.001	2000	8	00101048.001	2005	14	10700226	6003	3
00100147.001	2000_02	3	00101070.001	2005	17	10700232	2000_02	13
00100147.001	2007_02	21	10020018	2006	1	10700232	2001_02	7
00100149.001	2000	8	10020018	2009	1	10700232	2011	7
00100149.001	2000_02	3	10020038	2000_02	1	10700268	2000	24
00100149.001	2007_02	21	10042099	2000_02	18	10700270	2006	3
00100232.001	2006	31	10042199	2000_02	4	10700281	2001_02	9
00100236.001	2006	18	10046062	2000_02	28	10700952	6003	4
00100236.001	2009	18	10049014	2004	5	10700989	1001	1
00100267.001	2006	7	10049112	4001	9	10700997	1000	25
00100267.001	2009	7	10049121	4001	9	10700998	2006	38
00100268.002	2006	8	10054001	2002	37	10700998	2009	38
00100268.002	2009	8	10054002	2002_02	37	10701018	6003_02	14
00100300.001	2006	12	10060001	4001	19	10701018	6003_02	6
00100300.001	2009	12	10060002	4001	19	10701019	6003_02	3
00100313.001	2007	24	10060006	2000_02	17	10701020	6003_02	4
00100313.001	2007_02	24	10060058	2006	20	10701021	6003_02	7
00100351.001	2006	5	10060060	2009	20	10701022	6003_02	12
00100351.001	2009	5	10060155	4001	5	10701022	6003_02	2
00100367.001	2007	2	10060189	1001	6	10701023	6003_02	5
00100506.001	2002	9	10060189	4001	1	10701024	6003_02	13
00100506.001	2002_02	9	10060479	2000_02	17	10701028	6003_02	32
00100510.001	2002	2	10060605	2000	18	10701029	6003_02	32
00100514.001	2002	3	10060606	2000_02	29	10701036	2002_02	36
00100523.001	2002	14	10060607	2000_02	3	10701049	2002	36
00100559.001	2000	35	10060607	2007_02	21	10701050	2002	11
00100559.001	4000	13	10110001	3001	15	10701050	2002_02	11
00100560.001	2000	35	10110002	3001	15	10701051	2002_02	1
00100560.001	4000	13	10110008	2009	39	10701056	3000	1
00100565.001	2005	16	10110701	3000	10	10701094	2000_02	1
00100743.001	6003	15	10110701	3001	13	10701101	1001	18
00100771.408	6003	17	10110703	3001	11	10701101	6003_02	1
00100771.408	6003_02	34	10110704	2000	37	10701142	6003_02	1
00100793.001	2006	9	10110704	2000_02	30	10701143	6003_02	1
00100793.001	2009	9	10110704	3001	8	10701144	1001	18
00100802.001	2006	1	10110705	3001	1	10701144	6003_02	1
00100802.001	2009	1	10110706	3001	3	10701148	2000_02	31
00100804.001	2000	1	10110709	3001	10	10701173	2009	3
00100825.001	2006	34	10110712	3001	12	10701209	2005	12
00100825.001	2009	34	10110714	3001	4	10701210	2005	12
00100855.001	2004	9	10110715	3001	10	10701240	4001	21
00100855.001	4001	16	10110716	3001	7	10701254	2009	3
00100862.003	2000	31	10110717	3001	5	10701274	1001	25
00100862.003	2001_02	11	10110728	3001	14	10701275	1001	25
00100862.003	2011	11	10110729	2000	25	10701276	1001	25
00100867.001	2007_02	34	10110759	3001	10	10701324	3001	10
00100868.001	2007_02	35	10110821	3001	10	10701326	4001	4
00100869.001	2006	15	10110835	3001	17	10701363	4000	21
00100869.001	2009	15	10110835	3001	22	10701374	2009	1
00100877.001	2005	2	10110837	3001	17	10701395	1010	1
00100877.002	2005	2	10110837	3001	22	10701413	1000	15
00100878.001	2005	1	10110839	3001	17	10701426	4001	9
00100878.002	2005	1	10110867	3001	8	10701437	4000	10
00100897.001	2007	15	10110867	3001	9	10701437	4000	11
00100897.001	2007_02	15	10110874	3001	11	10701527	1000	27
00100899.001	2007	19	10110958	3001	23	10701627	4000	1
00100899.001	2007_02	19	10110959	3001	21	10701642	2000	24
00100939.001	2007	20	10110960	3001	21	10701642	2000_02	11
00100939.001	2007_02	20	10110961	3001	20	10701659	1001	2
00100986.001	1000	20	10110962	3001	19	10705175	2000	27
00100987.001	1000	20	10110976	3001	17	10705179	2000	20
00100994.001	1001	18	10120004	2009	14	10705185	2000	20
00100996.001	1000	21	10700005	6003	14	10705232	2006	16
00100997.001	1000	19	10700101	2000	27	10705232	2009	16
00100998.001	4001	4	10700176	2002_02	3	10705233	2006	19

Code	No. table	Pos.	Code	No. table	Pos.	Code	No. table	Pos.
10705233	2009	19	26220005	2004	8	34049011	2007_02	23
10705245	2004	1	26220005	4000	6	34049012	2007	22
10705528	1000	7	26220005	4001	17	34049012	2007_02	22
10705529	1000	8	27350001	2000_02	17	34049013	2007	23
10705529	2005	7	27350014	2000	16	34049013	2007_02	23
10705590	4000	1	27350014	2000	7	34049014	2007	22
10705592	1001	17	27350014	2000_02	3	34049014	2007_02	22
10705592	3001	6	27350014	2000_02	32	34070075	1001	17
10705706	1000	5	27350014	2000_02	7	34070075	3001	3
10705706	2005	18	27350014	2009	11	34070236	3001	24
10705707	1000	6	30001047	2006	10	34100021	1010	9
10705708	1000	6	30001047	2009	10	34100021	3000	5
10705710	1001	8	30001048	2002	19	34160024	2006	13
10705713	2005	15	30001048	2002_02	19	34160024	2009	13
10705714	2005	15	32210001	4001	3	34200071	2002_02	39
10705715	2005	12	32239044	4001	26	34200071	3001	16
10705716	2005	12	32331403	2005	10	34200177	3000	8
10705717	1000	5	32331404	2005	9	34200269	3000	11
10705717	2005	18	32331405	1001	18	34200288	2006	14
10705718	2002	29	32331407	1001	18	34200288	2009	14
10705730	6003	10	32331413	4000	17	34200289	3000	3
10705756	2007_02	33	32331413	4001	12	34200294	2000_02	10
10705759	2007	33	32331419	1000	20	34200301	3001	16
10705801	1000	16	32331435	1000	26	34300073	3000	4
10705806	6003	23	32331436	6003	16	34300075	3000	4
10705809	2000	28	32331443	2002_02	20	34300079	3000	4
10705962	3000	2	32331498	2002_02	14	35002509	2000_02	19
10705964	1001	2	32331698	1000	29	35002511	2000	27
10705966	1000	1	32331775	6003_02	17	36130008	2009	20
10705966	1000	3	32331778	6003_02	39	36201035	2006	4
10705968	1000	1	32331780	2000_02	10	36201035	2009	4
10705979	1000	3	32331786	6003_02	34	36220009	2004	2
10706035	4001	27	32332163	1010	3	36220009	2006	20
10781311	1000	15	32332164	1010	4	36220009	2009	20
10905117	1001	20	32332165	1010	5	36220009	4001	6
10905117	6003_02	23	32332166	1010	6	36230001	4001	25
10905122	1001	20	32332167	1010	7	36230017	4000	10
20200113	2004	14	32332168	1010	8	36230017	6003	19
21000010A	1001	11	32332283	1010	1	36230021	4000	10
21000010B	1001	11	32332284	1010	2	36301040	2004	4
23000092	4000	12	32551057	1000	2	36301105	4001	20
23000093	4000	12	32551057A	1000	2	36322006	2007	4
23000098V	4000	2	33110003	2006	3	36322006	2007_02	4
23000100	4000	4	34010009	2002	1	36404013	2009	20
23000128	2005	22	34010015A	2005	24	36404013	4000	11
23000135	2000	29	34011035	6003_02	32	36404022	2004	12
23000135	2000_02	25	34020017	2007	3	36404022	4000	2
23000136	1000	21	34020017	2007_02	3	36404022	4001	10
23000144	2004	6	34020034	2005	17	36404053	2006	20
23000192	4000	12	34020125	2002_02	35	36404053	2009	20
23000194	2006	37	34030077	3000	6	36404054	2006	36
23000194	2009	37	34040123	6003	10	36404054	2009	36
23000196	6003	14	34040123	6003_02	39	36404054	4000	20
23000277	6003_02	36	34040156	2007_02	38	36404056	6003_02	36
23000288	2007	11	34040158	6003_02	35	36405002	1000	17
23000288	2007_02	11	34040163	2007_02	28	36901951	1000	23
23000299	2000_02	32	34040164	2007_02	28	36901952	1001	17
23000299	2009	30	34040167	2007_02	21	36901955	2000	2
23000322	2000	6	34040177	2000_02	29	36901955	2006	2
23000322	2000_02	6	34040180	2000_02	29	36901955	2009	2
23212035	4001	11	34040183	2000_02	29	36930016	4001	7
24300010	2002_02	32	34040184	2000_02	3	36930017	2004	3
25111006	4001	11	34049006	2007	28	36930017	4001	8
25128014	2004	6	34049006	2007_02	28	36930110	2002	10
25128015	2004	6	34049007	2007	28	36930110	2002_02	10
25135017	2004	13	34049007	2007_02	28	36930111	2002	22
25135019	2004	5	34049011	2007	23	36930111	2002_02	22

Code	No. table	Pos.	Code	No. table	Pos.	Code	No. table	Pos.
36990004	4001	9	38120088	1001	4	39920015	1000	18
36990024	4000	19	38120088	4001	2	45010208	1000	4
36990025	1000	28	38120089	1001	15	45010208	1001	2
36990025	2005	21	38120090	1001	16	45010208	1001	26
36990026	2005	13	38120097	1000	24	45010209	1000	4
36990058	4000	22	38120105	6003	23	69000174	1010	15
36990067	6003_02	16	38120106	6003	20	69000244	2000_02	20
36990078	4001	23	38120109	2000_02	13	69000288	2007	1
37020408	6003_02	40	38120109	2001_02	7	69000288	2007_02	1
37030309	1000	12	38120109	2011	7	69000336	1000	8
37030408	1010	10	38120110	2000_02	13	69000337	2005	7
37030408	2006	13	38120110	2001_02	7	69000338	1000	8
37030408	2009	13	38120110	2011	7	69000339	2005	8
37040409	2002_02	26	38120111	6003	21	69000415	2000_02	2
37040409	2002_02	40	38120115	2002_02	31	69000417	2009	2
37040410	1000	26	38120119	2002_02	30	69000737	2007	12
37040410	1000	29	38120120	2002_02	29	69000737	2007_02	12
37040410	1001	13	38120121	1000	10	69200067	6003_02	40
37040410	4000	18	38120126	1000	22	69200072	1000	19
37040411	1001	7	38120127	2007	32	69200072	1000	21
37040412	1000	20	38120127	2007_02	32	69200073	2005	23
37040420	1001	19	38120127	6003	26	69200115	2007_02	39
37040446	1001	14	38120128	6003	27	69200127	6003_02	33
37040510	2006	35	38120150	6003_02	15	69200128	6003_02	33
37040510	2009	35	38120163	1000	4	69200130	2007_02	40
37040510	4001	13	38120180	1001	24	69200131	2007	9
37040621	2006	32	38120209	6003_02	10	69200131	2007_02	9
37040621	2009	32	38120210	6003_02	9	69200132	6003	18
37041020	1010	11	38120211	6003_02	11	69200133	2000	4
37060306	2002_02	38	38120215	6003_02	20	69200133	2002	16
37113508	2005	11	38120216	6003_02	19	69200133	2002_02	16
37155011	2002_02	25	38120277	6003_02	10	69200134	2007	17
37320603	1000	24	38120318	1000	16	69200134	6003	24
37320603	1000	26	38120580	2005	3	69200135	2007	16
37321201	4000	23	38120581	2005	5	69200135	2007_02	16
37370301	1000	24	38123568	1000	13	69200135	2009	28
37410300	2005	11	38123852	1000	14	69200135	2009	40
37410303	1010	12	38221007	1000	5	69200135	4000	3
37411001	2006	25	38221017	1000	11	69200136	2007_02	6
37411001	2009	25	38221018	1000	11	69200137	2007	8
37420300	2002	38	38228005	6003	13	69200137	2007_02	8
37420300	2002_02	38	38228005	6003_02	31	69200138	2007_02	7
37420300	6003_02	34	38228072	2000	3	69200139	2000	13
37420401	6003_02	40	38228072	2000_02	16	69200139	2007	36
37420403	1001	14	38228072	2002	15	69200139	2007_02	37
37420601	2006	33	38228072	2002_02	15	69200139	6003_02	37
37420601	2009	33	38228072	2007	14	69200140	2001_02	8
37430400	2006	13	38228072	2007_02	14	69200140	2004	10
37430400	2009	13	38228072	6003_02	28	69200140	2004	15
37431200	4000	24	38228073	2001_02	1	69200140	2007	36
37431600	2004	7	38228073	2004	11	69200140	2011	9
37431600	4000	7	38228073	2007	13	69200140	4000	5
37431600	4001	18	38228073	2007_02	13	69200140	4001	14
37510320	1000	21	38228073	2011	1	69200141	2007	30
37510400	6003_02	18	38228073	4000	8	69200141	2007_02	18
37510700	4001	24	38228073	4001	15	69200141	2007_02	30
37900105	6003_02	21	38228074	2007	21	69200141	2009	31
37900115	1001	22	38228074	2007	29	69200142	2000_02	15
37901002	1001	9	38228074	2007_02	29	69200142	2000_02	5
38120054	1010	13	38903002	1000	19	69200142	2007_02	42
38120072	1000	16	38910003	1010	14	69200146	2004	10
38120075	2005	4	39110026	2002_02	34	69200150	2007	34
38120076	2005	6	39110035	4001	22	69200151	2007	35
38120077	1001	12	39110038	4001	28	69200164	2007	7
38120086	1001	3	39110062	1001	21	69200165	2007	6
38120087	1001	5	39110062	6003_02	22	69200173	2000_02	14
38120087	4001	2	39920006	1001	10	69200190	2007	18

Contacts

HEADQUARTERS, PRODUCTION PLANT AND R&D CENTERS

Rancilio Group s.p.a.
Viale della Repubblica 40
20010 Villastanza di Parabiago
Milano - Italy
Tel +39 0331 408200
Fax +39 0331 551437
www.ranciliogroup.com
info@ranciliogroup.com

Egro Suisse AG
Bahnhofstrasse 66
5605 Dottikon - Switzerland
Tel. +41 (0)56 616 95 95
Fax +41 (0)56 616 95 97
www.egrocoffee.com
info@egrocoffee.com

WORLDWIDE BRANCH LOCATIONS

SPAIN
RancilioGroup Espana, s.a.
Gran Via de Carlos III, 84 3ª
Edificio Trade
08028 Barcelona - Spain
Ph. +34 902 884 275
Ph. +34 934 923 414
Fax +34 934 965 701
www.ranciliogroup.com
info-es@ranciliogroup.com

PORTUGAL
Rancilio Group Portugal Lda
Estrada da Falagueira nº 68 E
2700-365 Amadora-Lisboa - Portugal
Ph. + 351 21 019 10 91
Fax + 351 21 019 10 91

Rua Nova do Seixo 1282
4465-706 Leca do Balio-Porto - Portugal
Ph. + 351 22 010 14 19
Fax + 351 22 010 14 19
www.ranciliogroup.com
info-pt@ranciliogroup.com

GERMANY
Rancilio Group Deutschland GmbH
Talstrasse 27
97990 Weikersheim - Germany
Ph. +49 7934 99 29 30
Fax +49 7934 99 29 330
www.ranciliogroup.de
info-de@ranciliogroup.com

SWITZERLAND
Egro Suisse AG
Bahnhofstrasse 66
5605 Dottikon - Switzerland
Tel. +41 (0)56 616 95 95
Fax +41 (0)56 616 95 97
www.egrosuisse.ch
info@egrosuisse.ch

USA/CANADA
RancilioGroup North America Inc.
1340 Internationale Parkway / Suite
200
Woodridge, IL 60517 - U.S.A.
Ph: +1 630 914 7900
Fax: +1 630 914 7901
Toll Free: +1 877 726 2454
www.ranciliogroup.com
info@ranciliogroupna.com

