

Egro Preventative Maintenance

Maintenance Cycle 1 (40,000 cycles or 1 year)

Basic Kit 99PM1-EBASIC14-CMF



	Check and Clean
	Lubricate
	Replace

To Do	Description	PN No.	Qty.	Fig.	Pos.
	Clean: brewing screen, upper piston head, flowlimiter			A	5, 22, 23
	Clean: brewing screen, lower piston head			A	5, 10
	Replace: lower piston Turcon gasket	00039064	1	A	8
	Replace and Lube: lower piston red silicone O-ring	00100136.001	1	A	7
	Replace and Lube: brewing O-ring	00100506.001	1	A	9
	Lubricate: both motor spindles				
	Clean: coffee brewing chamber			A	28
	Check: wiring on spindle motors, piston shaft magnet			A	11, 33
	Clean: coffee ejector and funnel			A	26, 35
	Replace: drain tray O-rings	36405002/00002240	2	B	17
	Clean: wash out the puck bin			B	10
	Clean: wash the drain tray and drain grate			B	15, 16
	Clean: dust the top lid			B	5
	Replace: brewing spout assembly	10701392	1	C	24
	Check: tighten the spout bracket if needed			C	20
	Check: tighten front panel hinges if needed			C	8
	Replace: espresso injector O-ring	00100038.001	1	D	4

Egro Preventative Maintenance

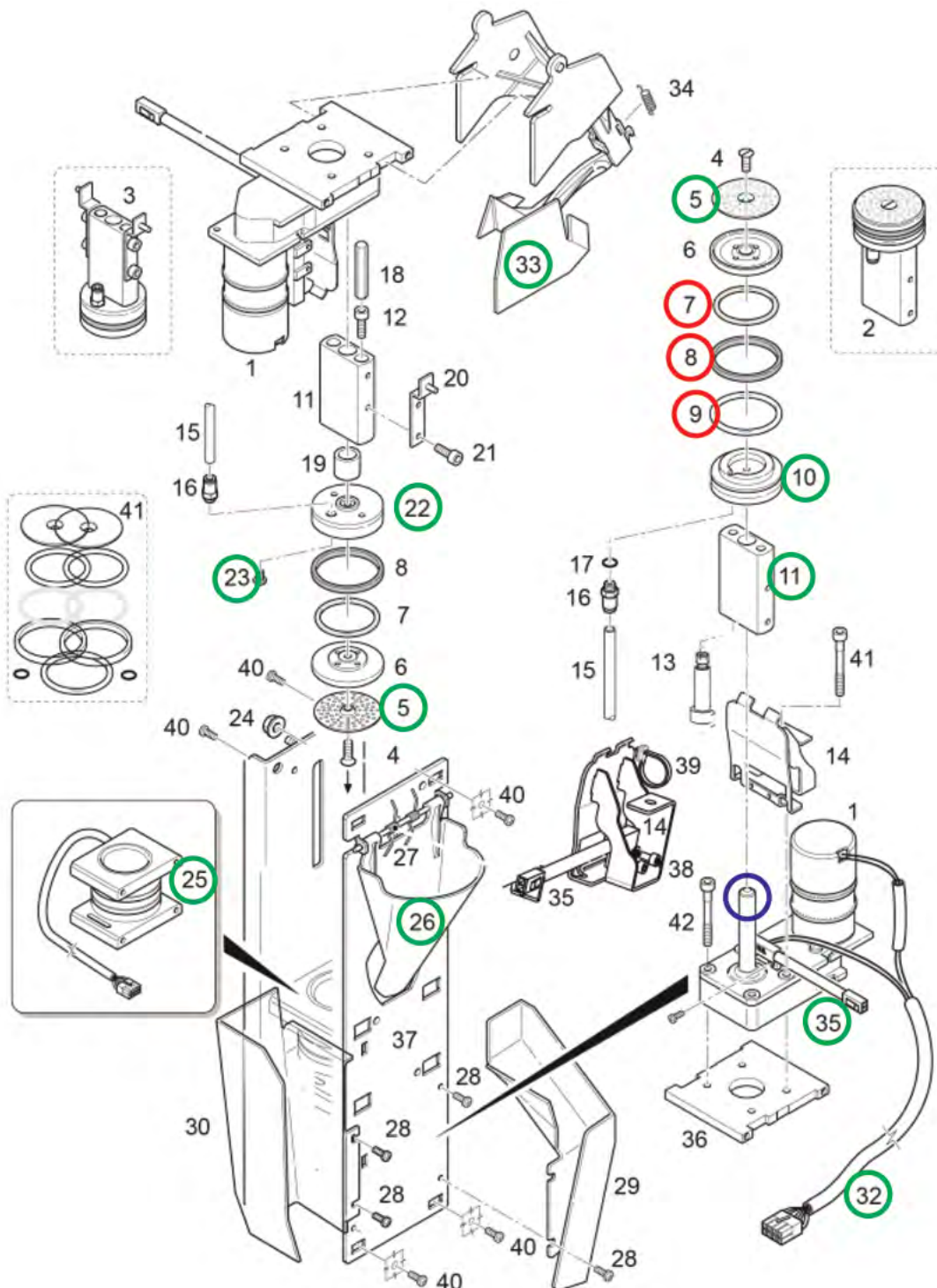
Maintenance Cycle 1 (40,000 cycles or 1 year)



Basic Kit 99PM1-EBASIC14-CMF

	Check and Clean
	Lubricate
	Replace

FIGURE A



Egro Preventative Maintenance

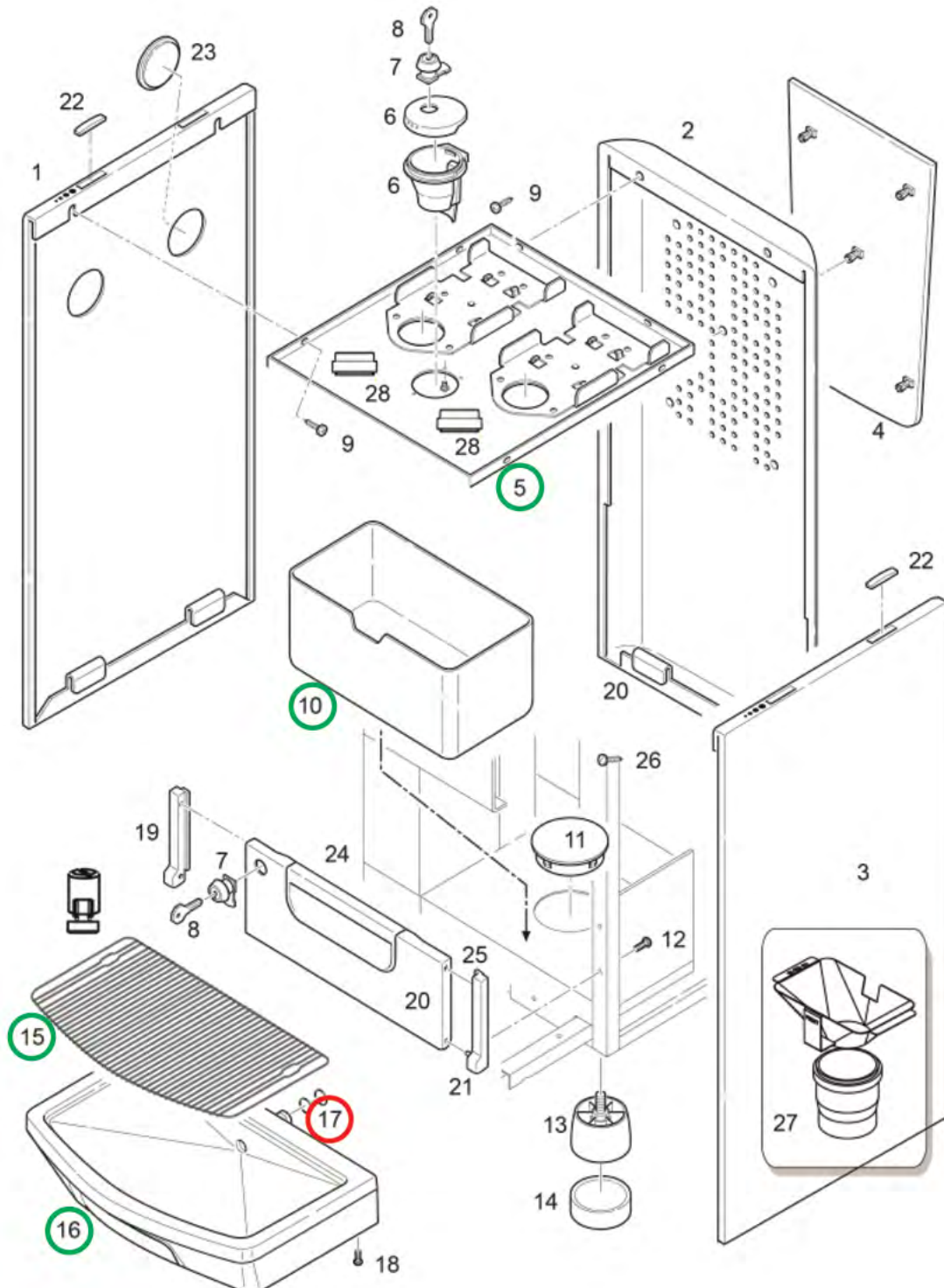
Maintenance Cycle 1 (40,000 cycles or 1 year)



Basic Kit 99PM1-EBASIC14-CMF

	Check and Clean
	Lubricate
	Replace

FIGURE B



Egro Preventative Maintenance

Maintenance Cycle 1 (40,000 cycles or 1 year)



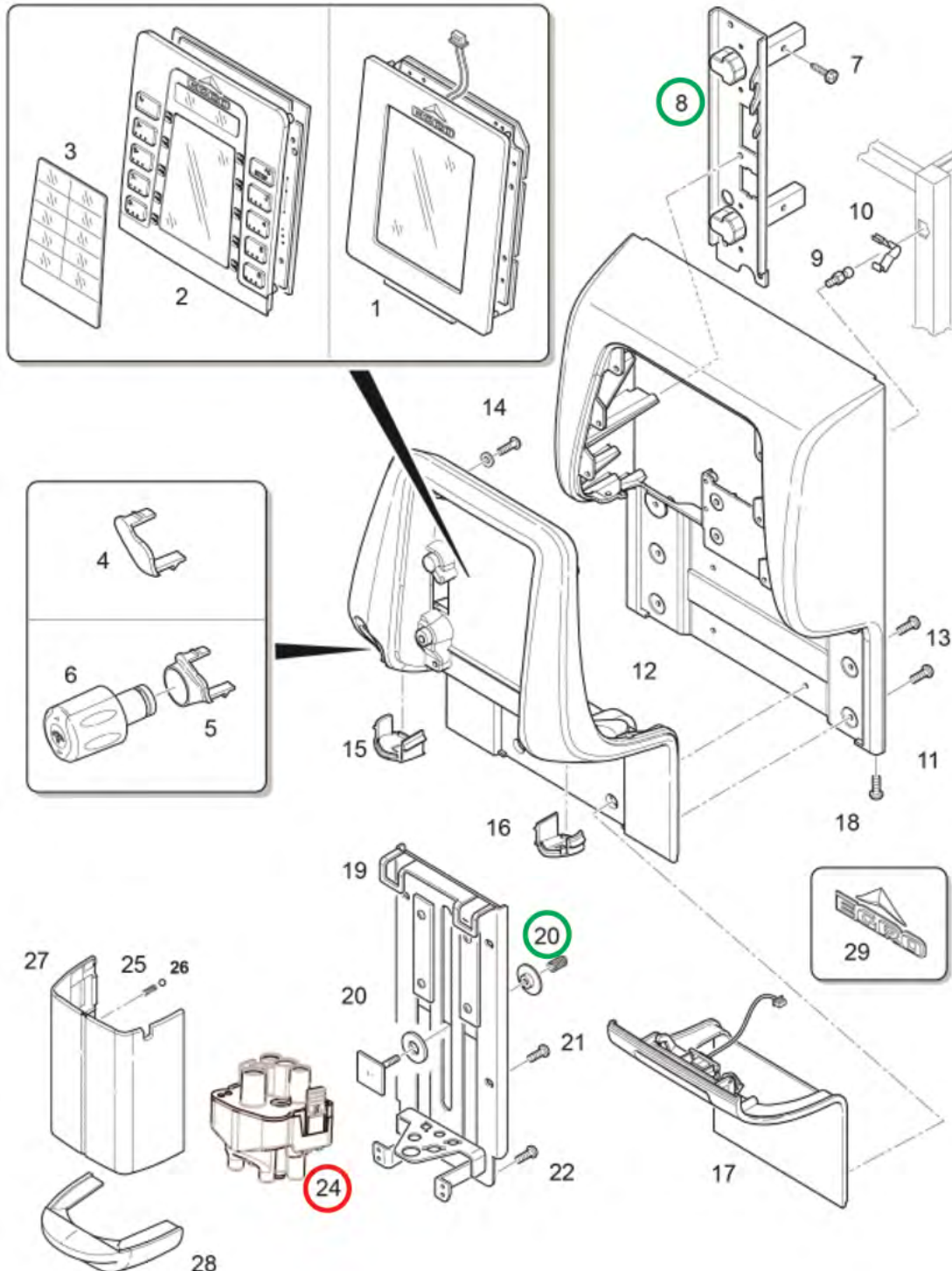
Basic Kit 99PM1-EBASIC14-CMF

- Check and Clean

- Lubricate

- Replace

FIGURE C



Egro Preventative Maintenance

Maintenance Cycle 1 (40,000 cycles or 1 year)



Basic Kit 99PM1-EBASIC14-CMF

- Check and Clean
- Lubricate
- Replace

FIGURE D

