

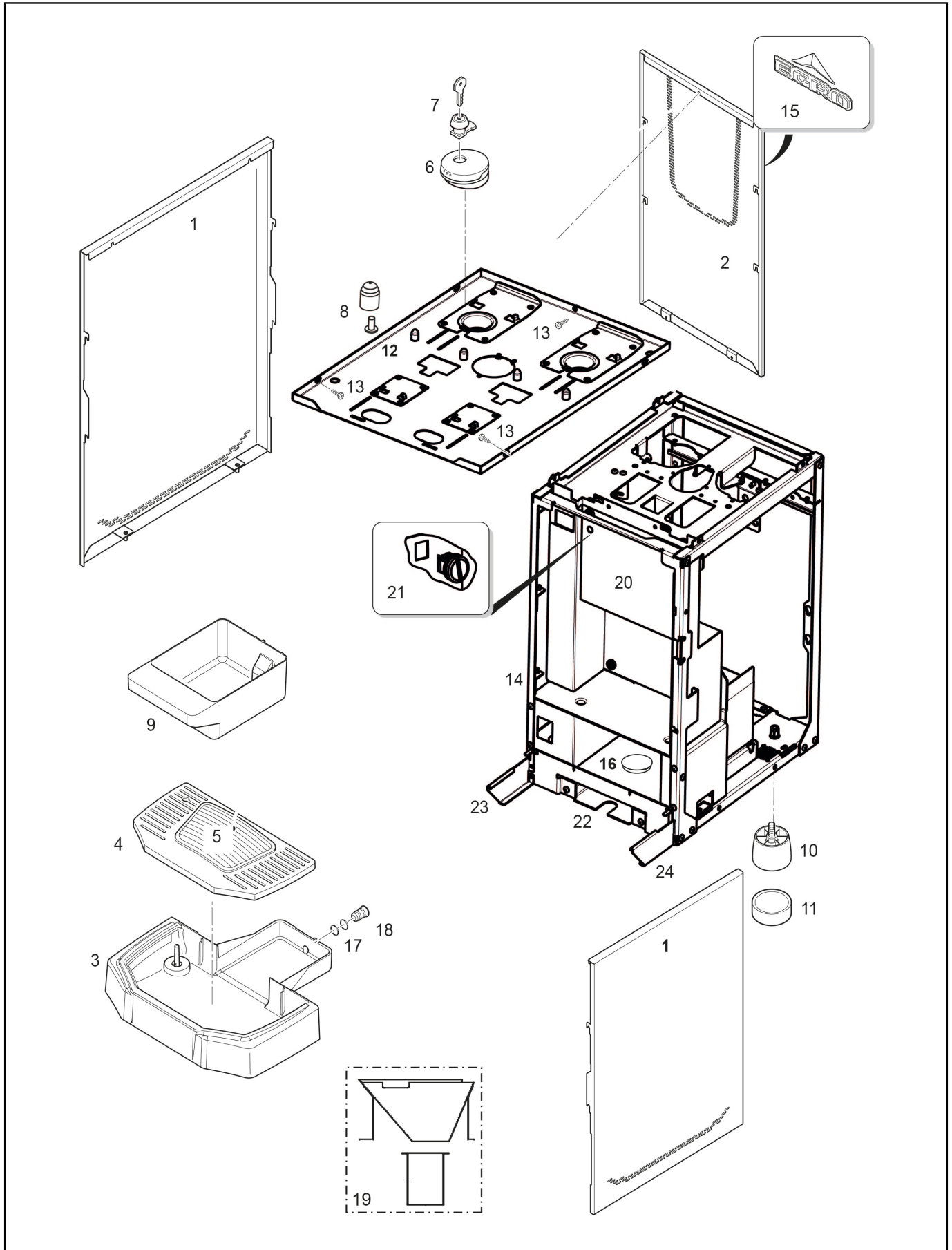
# EGRO ZERO PURE COFFEE



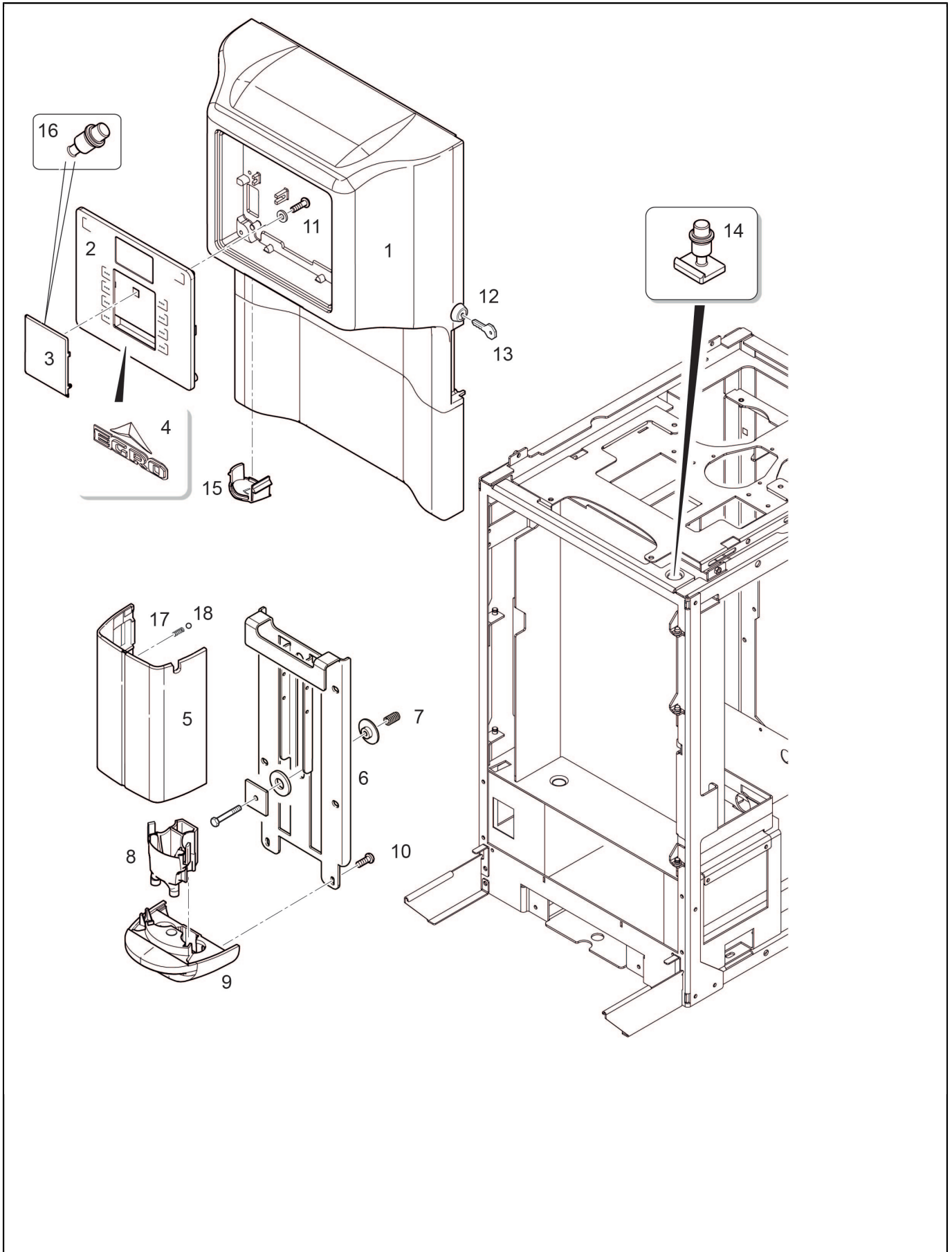
EGRO ZERO

## Index

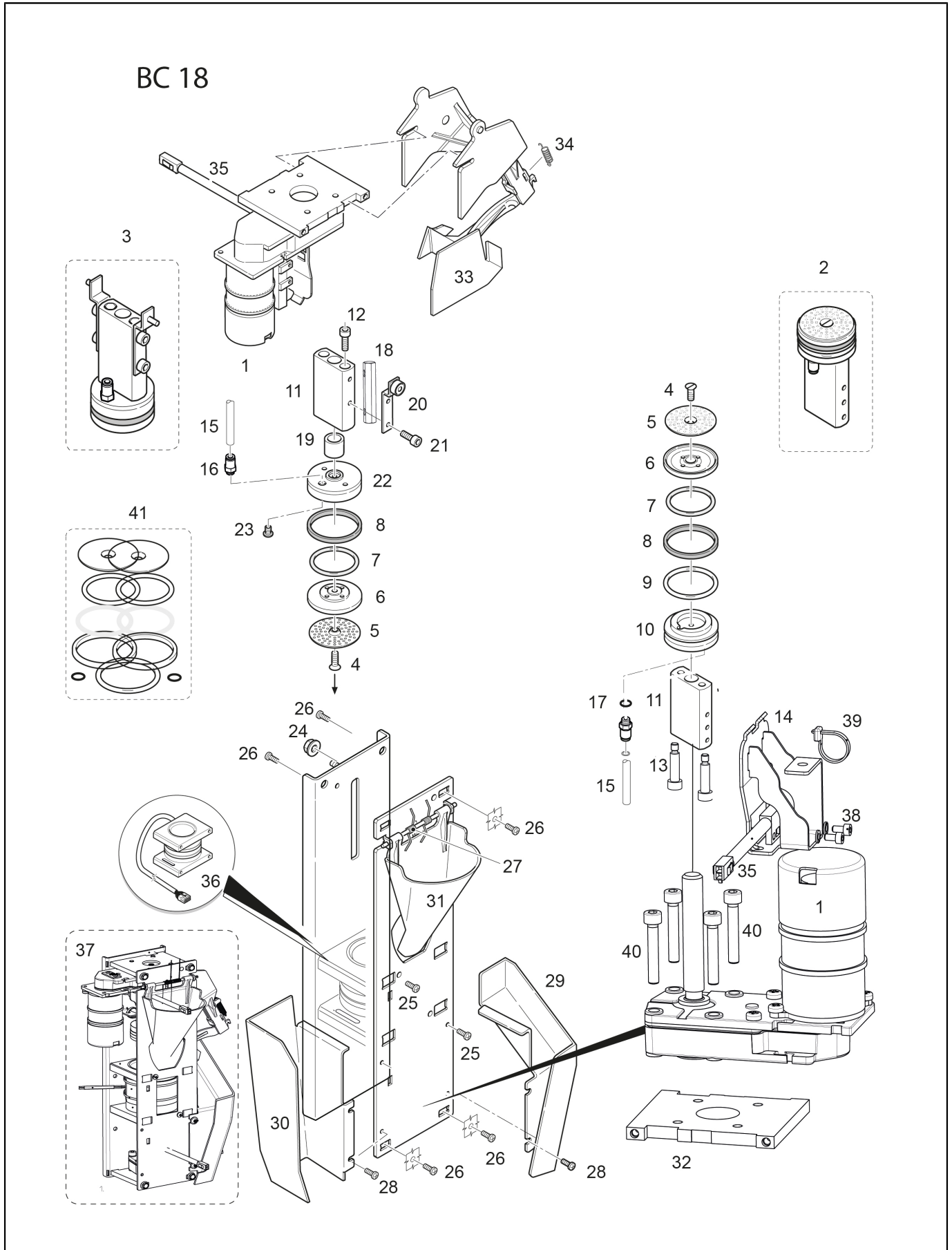
Table 1000 - Housing.....	4
Table 1001 - Front Panel.....	6
Table 2001 - Coffee Brewing Group.....	8
Table 2002 - Bean Hopper-Grinders.....	12
Table 2003 - Water Inlet System.....	14
Table 2000 - Coffee line .....	16
Table Z3001 - Electric Cable.....	18
Table 3000 - Electric Part/Electronic Board.....	20
Table 5000 - Water spout/steam wand.....	22
Table 5002 - Steam boiler.....	24
Alphanumeric index.....	26



POS.	CODE	DESCRIPTION	NOTES
1	32551162A	SIDE PANEL ZERO	
2	32551163A	REAR PANEL ZERO	
3	10705750	RETROFIT KIT DRIP TRAY/16 ZERO	
	34020129	MAGNET 10 X 6	
4	10781312	CUP TRAY ZERO SELF	
	32331489	CUP TRAY ZERO	
5	38120591	CUP TRAY GRID BLACK	
6	10705698	COFFEE POWDER INLET ASSY.	
	10705708	COFFEE POWDER INLET SELF ASSY	
7	10705529	LOCK ASSAY. RONIS M15X17,5 WITH HOOK 25.5MM	
8	69000337	LOCK 90 M15 X 17,5	
9	38120205	COFFEE WASTE DRAWER ZERO	
10	38123568	MACHINE FOOT	
11	38123852	RISER FOR MACHINE FOOT	
12	10700313	TOP LID 1 GRINDER	
	10700314	TOP LID 2 GRINDER	
	10700315	TOP LID 1GRIDER+1POWDER	
	10700316	TOP LID 2 GRINDER+1POWDER	
	10700317	TOP LID 2GRINDER+2POWDER	
13	00046844	SCREW M4 X 8 MM	
14	10880306	INTERNAL DOOR	
	32551190	INTERNAL DOOR ZERO NO TANK	
15	45010209	Sticker &quot;EGRO LOGO&quot; big	
16	38221020	CAP D. 88,9 BLACK	
17	<a href="#">36404059</a>	O-RING 14X1,78 NBR70 BLACK 2056	
18	36990037	DRAIN TRAY CAP ZERO	
19	38120253	WASTE FUNNEL ZERO	
	38120254	WASTE EXTENSION	
20	23000306	PIVOT CLOSING LOCK ZERO/14	
21	32551291	INTERNAL COVER ZERO/14	
22	38120212	COVER DRIP TRAY ZERO	

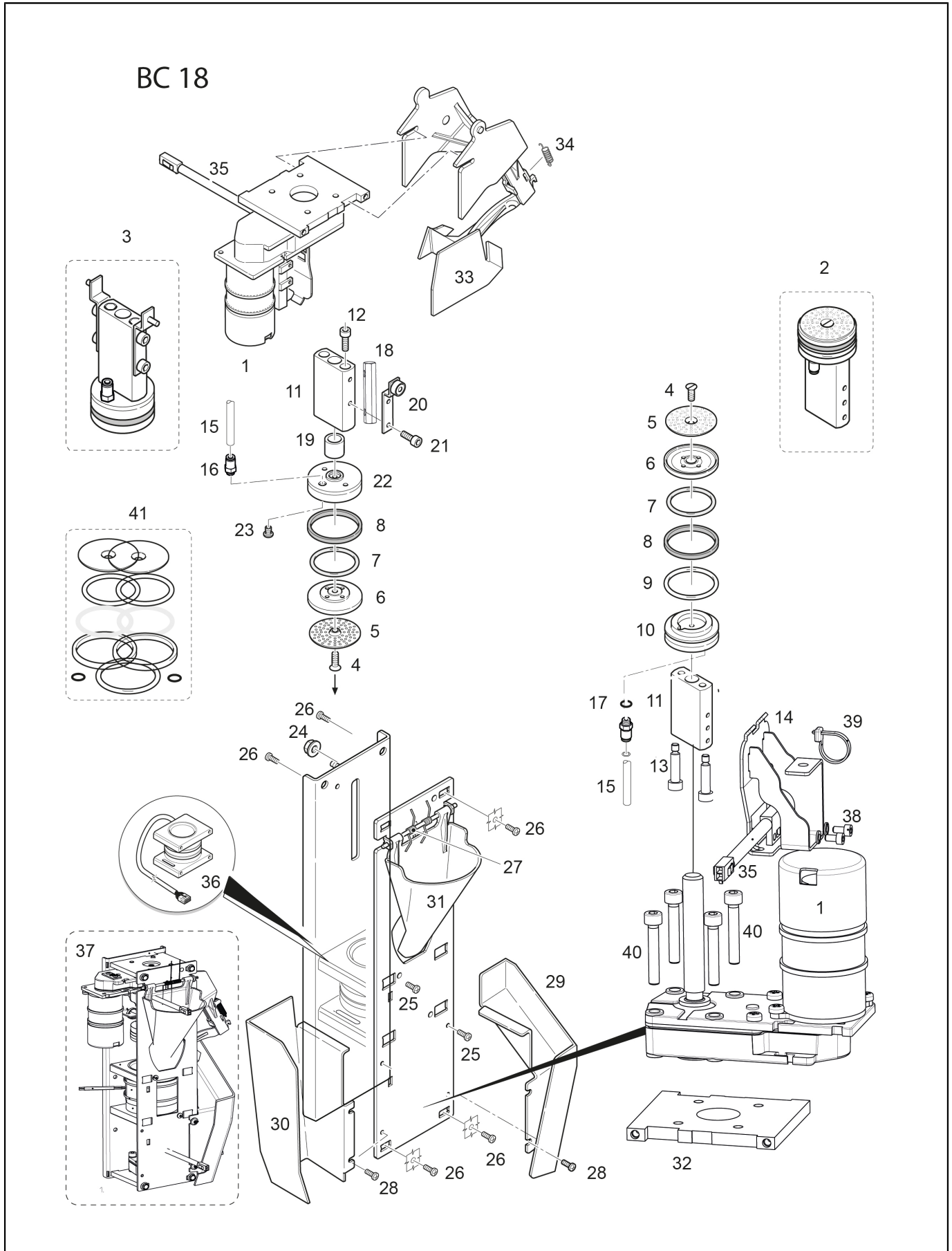


POS.	CODE	DESCRIPTION	NOTES
1	10700303	FRONT PANEL ASSY. NO STEAM	
	10700304	FRONT PANEL ASSY. WITH STEAM	
	10700312	FRONT PANEL ASSY. QUICK MILK	
	10700319	FRONT PANEL ASSY. QUICK MILK WITH STEAM WAND	
2	10705690	CAPACITIVE KEYPAD ZERO	
4	45010208	Sticker &quot;EGRO LOGO&quot; small	
5	10905151	COVER COFFEE OUTLET EGRO ZERO	
6	10701145	RETROFIT KIT ZERO QM NMS	
	32331407	COFFEE OUTLET BASEPLATE	
7	00001517	6-EDGE NUT SELF LOCKING M4	
	00017719	WASHER M4 INOX	
	00040706	PLANE WASHER 4,5 X 20 X 1	
	00048354	HEX SCREW M4 X 30	
	00054944	SCREW WITH SPRING ASSAY.	
	00055483	SPRING	
	36930101	BUSH FOR SPRING COFFEE OUTLET	
	36930102	SPACER COFFEE OUTLET	
8	00047077	FLOW CUP SELF	
	00047078	FLOW CUP STANDARDT	
9	10701274	Outlet ONE Old Milk System assy.	
10	37113535	SELFSCREW M3,5X35	
11	38120193	FRONT PANEL ZERO	
12	32551187	CLOSING PANEL ZERO	
13	10705529	LOCK ASSAY. RONIS M15X17,5 WITH HOOK 25.5MM	
	69000337	LOCK 90 M15 X 17,5	
14	10700309	FRONT PANEL BUTTON ASSY.	
15	38120213	WAND CAP ZERO	
16	10701035	PUSH BUTTON PRODUCT LIST ZERO	
	23000223	BUTTONS SLIDER LABEL SHAFT	
	34200212	CLAMP + SCREW	
	36930018	BUTTON FOR PRODUCT LABEL	
	39110062	AT BALL SPRING	
17	37900115	BALL 1/4 100	
18	39110062	AT BALL SPRING	

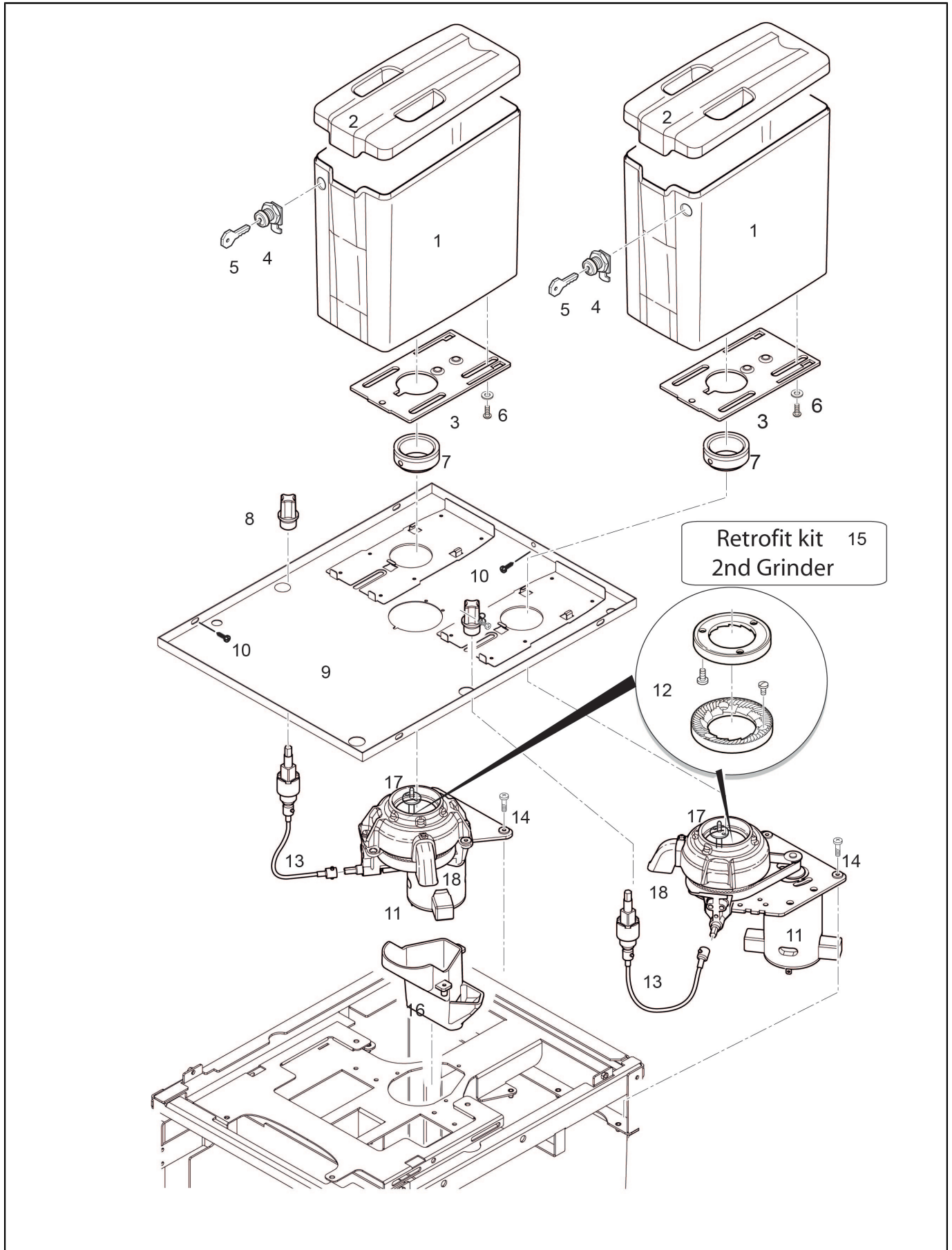


POS.	CODE	DESCRIPTION	NOTES
1	10701051	SPINDLE MOTOR WITH SENSOR	for Egro ONE: S/N 12009467 PIN 108293
2	10700177	LOWER PISTON BC18	
3	10700176	UPPER PISTON BC18	
4	00001176	COUNTERSUNK SCREW M4X12 MM	
5	00060116	BREWING SIEVE D. 44 MM	
6	00054861	FILTER CARRIER	
7	00100136.001	O-RING 31,35 X 3,53 SILICONE 70SH RED	
8	00039064	TURCON RING 32 X 44 X 4,2	
9	00100506.001	O-RING 36,09 X 3,53 SILICONE 70SH	
10	36930110	LOWER PISTON GR. BC18	
11	10701050	PISTON SHAFT WITH MAGNET	piston shaft for BC18, ATTENTION to the magnet position. (could be used also on L61 or previous groups, put the magnet on the opposite side) albero pistone per BC18, ATTENZIONE alla posizione del magnete. (può essere utilizzato su gruppi L61 o precedenti posizionando al contrario il magnete)
12	00000930	HEX SOCKET HEAD SCREW M5 X 25 MM	
13	00048548	HEX SOCKET HEAD SCREW FOR PEEK PISTONM4 X 15 MM	
14	32331498	PISTON GUIDE REED	
15	38228072	TEFLON HOSE FEP D. 4,0 X 2,5	
16	69200133	STRAIGHT CONNECTOR D.4 X M5	
17	00060283	O-RING 4 X 1,2 F	
18	00045032	NUT	
19	30001048	SPACER PISTON GUIDE	
20	32331443	BRACKET UPPER PISTON	
21	00000928	HEX SOCKET HEAD SCREW M4 X10 MM	
22	36930111	UPPER PISTON GROUP BC18	
23	00048550	FLOW LIMITER D. 0.7	
24	00001521	KEPS NUT M5	
25	37155011	SCREW ATF PT 4X10 TCB PH INOX	
26	37040409	SCREW M4 X 8 TE	
27	00060858	TRANSMISSION ASSAY.	
28	00046844	SCREW M4 X 8 MM	
29	38120120	SPINDLE MOTOR PROTECTION	
30	00048747	GROUNDS SLIDE	Fit for all generation brewing unit (L61/BC18)/ passt für alle Generationen von Brühgruppen (L61/BC18)
	38120119	GROUNDS SLIDER	does not fit for Automatic spout - use metal version 00048747 / passt nicht für Automatischen Auslauf - Metall Ausführung verwenden 00048747
31	38120115	COFFEE POWDER FUNNEL	
32	24300010	SPINDLE MOTOR PLATE	
33	10700178	EJECTOR BREWING GROUP	
34	39110026	SPRING EJECTOR	
35	34020125	End switch Spindle motor	
36	10701036	BREWING CHAMBER BC18	
37	10054002	BREWING GROUP BC18	
38	37060306	SCREW M3 X 6 TCEI	
	37420300	ELASTIC WASHER 3 X 0,8	
39	34200071	FIXING CABLE CLAMP	
40	00000935	HEX SOCKET HEAD SCREW M5 X 30 MM	





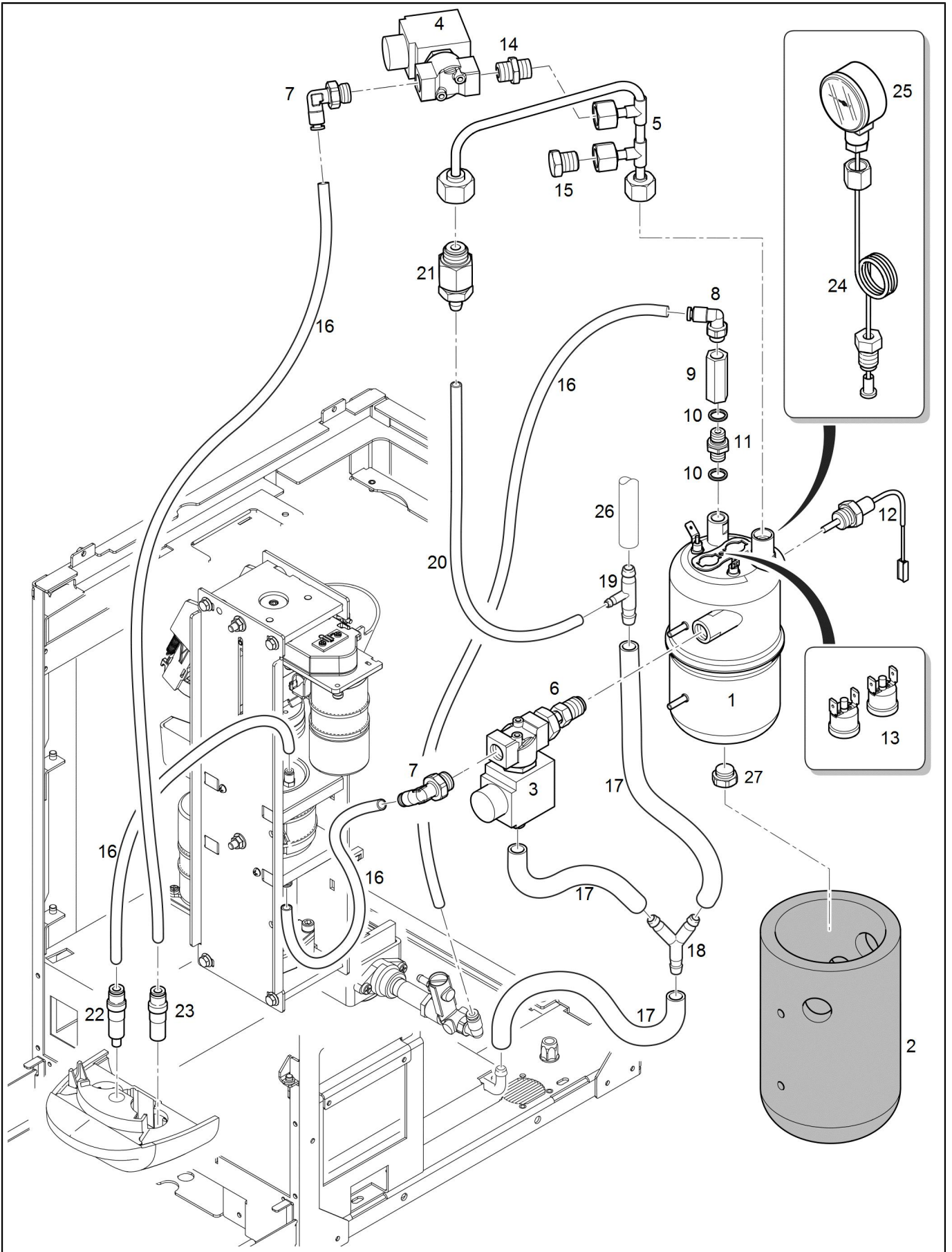
POS.	CODE	DESCRIPTION	NOTES
	37040409	SCREW M4 X 8 TE	
41	00057446	GASKET KIT BREWING GROUP	



POS.	CODE	DESCRIPTION	NOTES
1	10701347	Bean hopper ZERO/16 ASSY	
2	38120192	Lid for bean hopper ZERO	
3	32331910	CLOSING SLIDER HOPPER ZERO/14	
4	10705529	LOCK ASSAY. RONIS M15X17,5 WITH HOOK 25.5MM	
5	69000337	LOCK 90 M15 X 17,5	
6	37113508	SELFSCREW M3X8	
	37410300	PLANE WASHER D3.2X9	
7	36990034	BEAN INLET RUBBER ZERO	
8	38120217	HANDLE GRINDER REGULATION	
9	10700313	TOP LID 1 GRINDER	
	10700314	TOP LID 2 GRINDER	
10	00046844	SCREW M4 X 8 MM	
11	10700305	GRINDER RIGHT 230V	
	10700306	GRINDER LEFT 230V	
	10700307	GRINDER RIGHT 110V	
	10700308	GRINDER LEFT 110V	
12	69140036	GRINDER BURRS ZERO	
13	39920017	ELASTIC MOVEMENT GRINDER REGULATION ZERO	
14	00001065	RAISED CHEESE HEAD SCREW M3 X 16 MM	
15	10701037	RETROFIT KIT 2ND GRINDER 230V ZERO	
	10701038	RETROFIT KIT 2ND GRINDER 110V ZERO	
16	10705755	RETROFIT KIT COFFEE FUNNEL	only compatible with grinder outlet 69140040 / nur kompatibel mit Mühlenausgang 69140040
	10705755	RETROFIT KIT COFFEE FUNNEL	
17	69140039	GEAR WHEEL WITH BELT	
18	10705755	RETROFIT KIT COFFEE FUNNEL	only compatible new coffee collector 38120332 / nur kompatibel mit neuem Kaffeesammler 38120332
	10705755	RETROFIT KIT COFFEE FUNNEL	

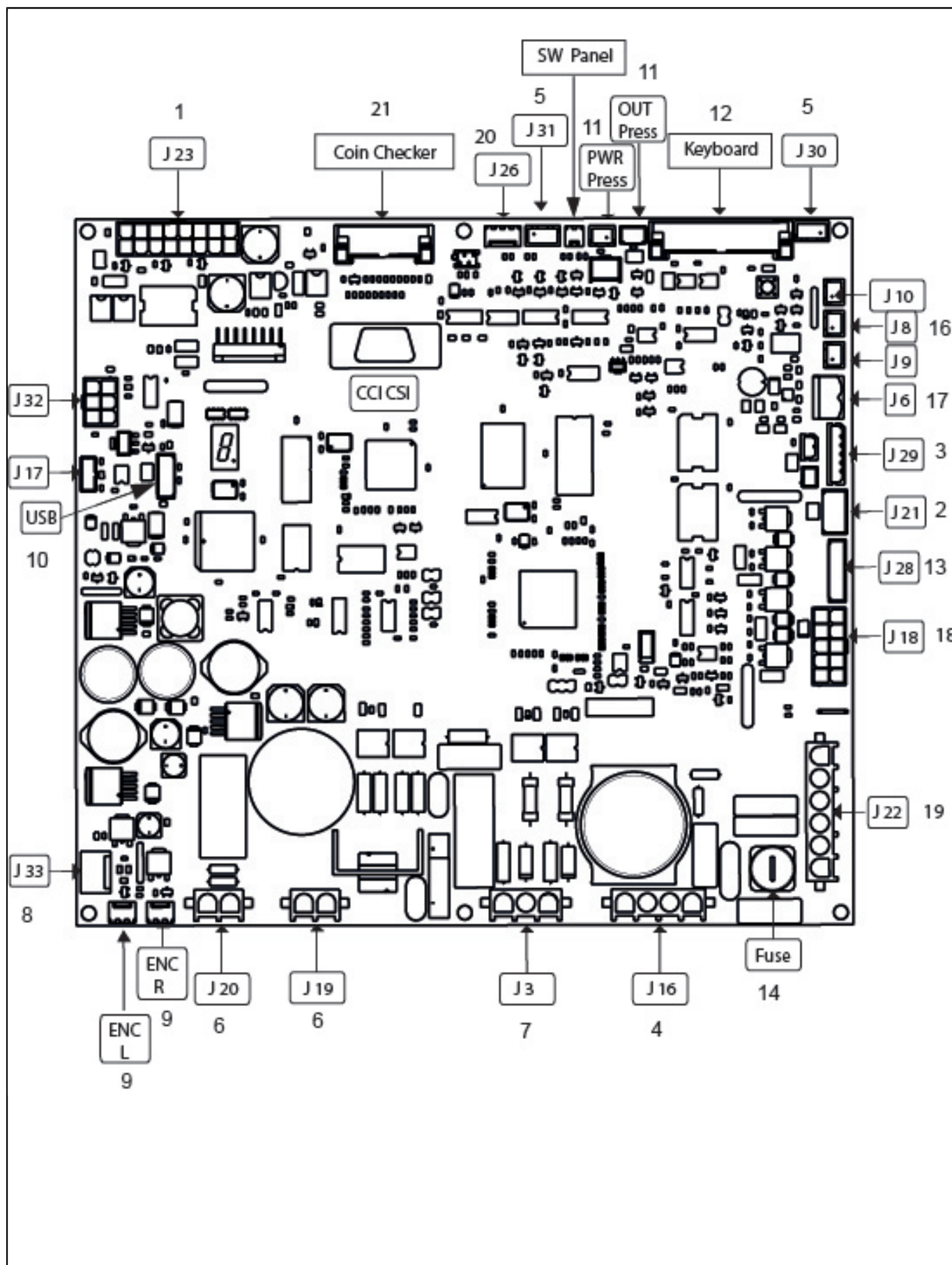


POS.	CODE	DESCRIPTION	NOTES
1	34011023 34011026 34011029 34200044	PUMP 120V 60Hz PUMP 220-230V 50Hz PUMP 220-230V 60HZ THERMAL 2MMT 120&#164;	
2	69200069	PRESSURE ADJUSTER 0,8 BAR ZERO	pre-set 1,5 bar net connection only voreingestellt auf 1,5 bar (nur bei Festwasser vorhanden)
3	34040125	Valve inlet 2/2 24V	net connection only
4	36990056	ANTI-VIBRATING DEVICE ULKA	
5	23000378	CONNECTOR M1/8-M12	
6	69200095 69200133	BYPASS INLET VALVE ZERO STRAIGHT CONNECTOR D.4 X M5	
7	38228072	TEFLON HOSE FEP D. 4,0 X 2,5	
8	69200139	ELBOW CONNECTOR 4 x G1/8 PPSU	
9	00044824 00045715 34070053	CONNECTOR 3 POLES FLOWMETER FLOWMETER LOW PRESSION 1,5	net connection tank version
10	00044464	GASKET 16,5 X 13,2 X 1,5 COPPER	net connection
11	69200142	ELBOW CONNECTOR G1/4x4 PPSU	
12	32551169	PRESSURE ADJUSTER BRACKET	
13	36990057	ANTI-VIBRATING DEVICE 20 X 25 FF	
14	36322005	THREADED INSERT M5X17	
15	37030509	SCREW M5 X 10 TCB PH INOX	
16	00100248.002	REINFORCED HOSE G 3/8 X 1500MML = 150 MM	net connection only
17	38228072	TEFLON HOSE FEP D. 4,0 X 2,5	
18	69200139	ELBOW CONNECTOR 4 x G1/8 PPSU	
19	69200187	Y CONNECTOR D.4 PPSU	
20	69200154	ELBOW CONNECTOR 6 X G1/4 X 1,78 PPSU	net connection
21	<a href="#">36901804</a>	DRAIN PIPE 14 X 1500	
22	38228073	TEFLON HOSE FEP D. 6 X 4	
23	10705750	RETROFIT KIT DRIP TRAY/16 ZERO	
24	23000377	ECO RACCORDO INTERMEDIO M1/4-M1/2 ZERO -OT-	net connection only
25	10700320 36901957 38120223 38120224 39110085 69111016 69111017	TANK ASSY. GASKET TANK ZERO WATER TANK CONNECTION ZERO WATER TANK VALVE ZERO RUBBER TANK SPRING EGRO ZERO CARTRIDGE FILTER &quot;M&quot; ZERO TANK ADAPTER FOR FILTER &quot;M&quot; TO CARTRIDGE &quot;G&quot; ZERO TANK	tank version tank version tank version tank version tank version tank version tank version
26	10700353	TANK COVER ASSY. ZERO	tank version
27	34020128	LEVEL SENSOR TANK ZERO	tank version
28	23000094 23000242	NUT M10X1 FIX TANK CONNECTION	tank version
29	37030509	SCREW M5 X 10 TCB PH INOX	
30	69200187	Y CONNECTOR D.4 PPSU	NMS version only
31	69200175	FAST CONNECTOR PUMP ZERO	
32	10700321 10700322 10700325 10700356 10701151	WATER INLET ASSY. 110V ZERO WATER INLET ASSY. 230V ZERO WATER TANK INLET 230V ZERO WATER INLET 220V 60HZ ZERO ASSY. RETROFIT KIT INLET SYSTEM FEP ZERO	only with FEP pipes only with FEP pipes solo con tubi FEP  only with FEP pipes

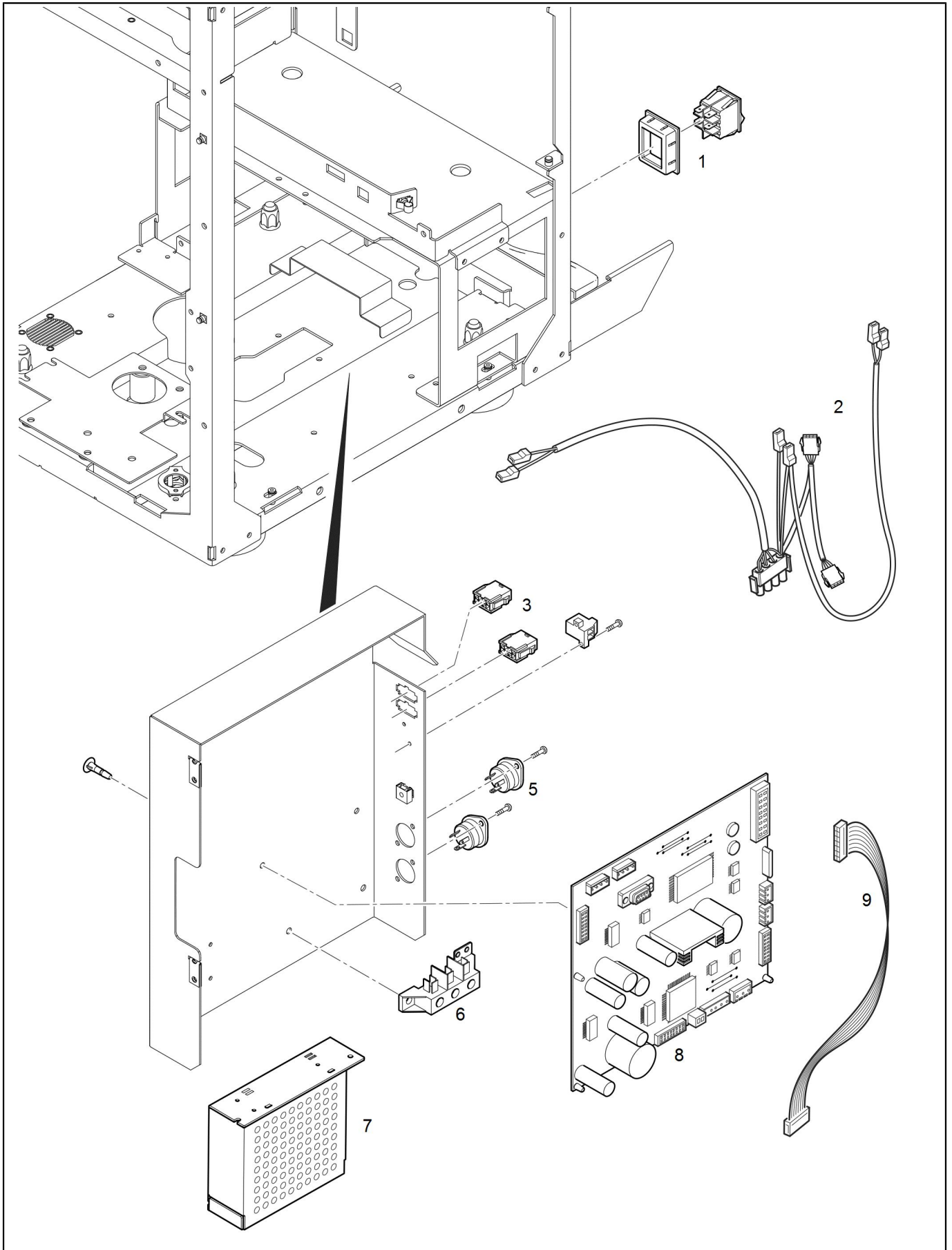


POS.	CODE	DESCRIPTION	NOTES
1	10701242	RETROFIT KIT COFFEE BOILER DHE ZERO	
	10701243	RETROFIT KIT COFFEE AND STEAM BOILER DHE ZERO	
2	69000415	BOILER INSULATION	
3	00100147.001	OPERATOR KIT 3/2 WAY WATER T30 (ACL)	
	00100149.001	Plunger 3/2 water T30 (ACL)	
	10060607	ELECTROVALVE COFFEE BOILER	
	27350014	COPPER GASKET 12.5X9.8X1.5	
	34040184	Valve 3/2 24V T30 (Sirai)	
4	00100559.001	OPERATOR KIT 2/2 WAY WATER T30 (ACL)	
	00100560.001	Plunger 2/2 water T30 (ACL)	
	10060608	ELECTROVALVE HOT WATER	
	34040183	Valve 2/2 24V T30 (Sirai)	
5	10046062	PIPE EXPANSION VALVE+BOILER COFFEE	
6	10042199	PIPE VALVE-BOILER COFFEE ZERO	
7	69200142	ELBOW CONNECTOR G1/4x4 PPSU	
8	69200139	ELBOW CONNECTOR 4 x G1/8 PPSU	
9	00054067	Check valve D. G 1/8	
10	27350014	COPPER GASKET 12.5X9.8X1.5	
11	00054064	THREADED MALE NIPPLE (USA)	
12	10701642	TEMPERATURE SENSOR WITH O-RING	
13	32331780	THERMOSTAT FIXING BRACKET	
	34200294	CLICSON THERMOSTAT 127 ONE	
14	23000274	CONNECTOR M1/4 X M1/4 GAS	
15	00044464	GASKET 16,5 X 13,2 X 1,5 COPPER	
	10060608	ELECTROVALVE HOT WATER	
	23000289	CLOSING PIN G1/4	
16	38228072	TEFLON HOSE FEP D. 4,0 X 2,5	
17	00004473	SILICON HOSE D. 14 X 9 MM	
18	00046806	Y UNIT D. 12 MM	
19	00045714	REDUCING T CONNECTOR D. 12 - 6 - 12 MM	
20	00004474	SILICON HOSE D. 8 X 5 MM	
21	10060009	Gasket holder with Viton gasket	
	10060479	EXPANSION VALVE 8 X G 3/8	
22	00050096	COFFEE SPOUT WITHOUT CHECKVALVE	
23	00054647	HOT WATER SPOUT BY SELF SERVICE	
24	69000244	PIPE PUMP MANOMETER	
25	35002509	Manometer Pumpe 0-16 D. 44	
26	00052557	SILICON HOSE D. 18 X 12 MM	
27	23000299	CAP G1/8 BOILER ONE/ZERO	
	27350014	COPPER GASKET 12.5X9.8X1.5	

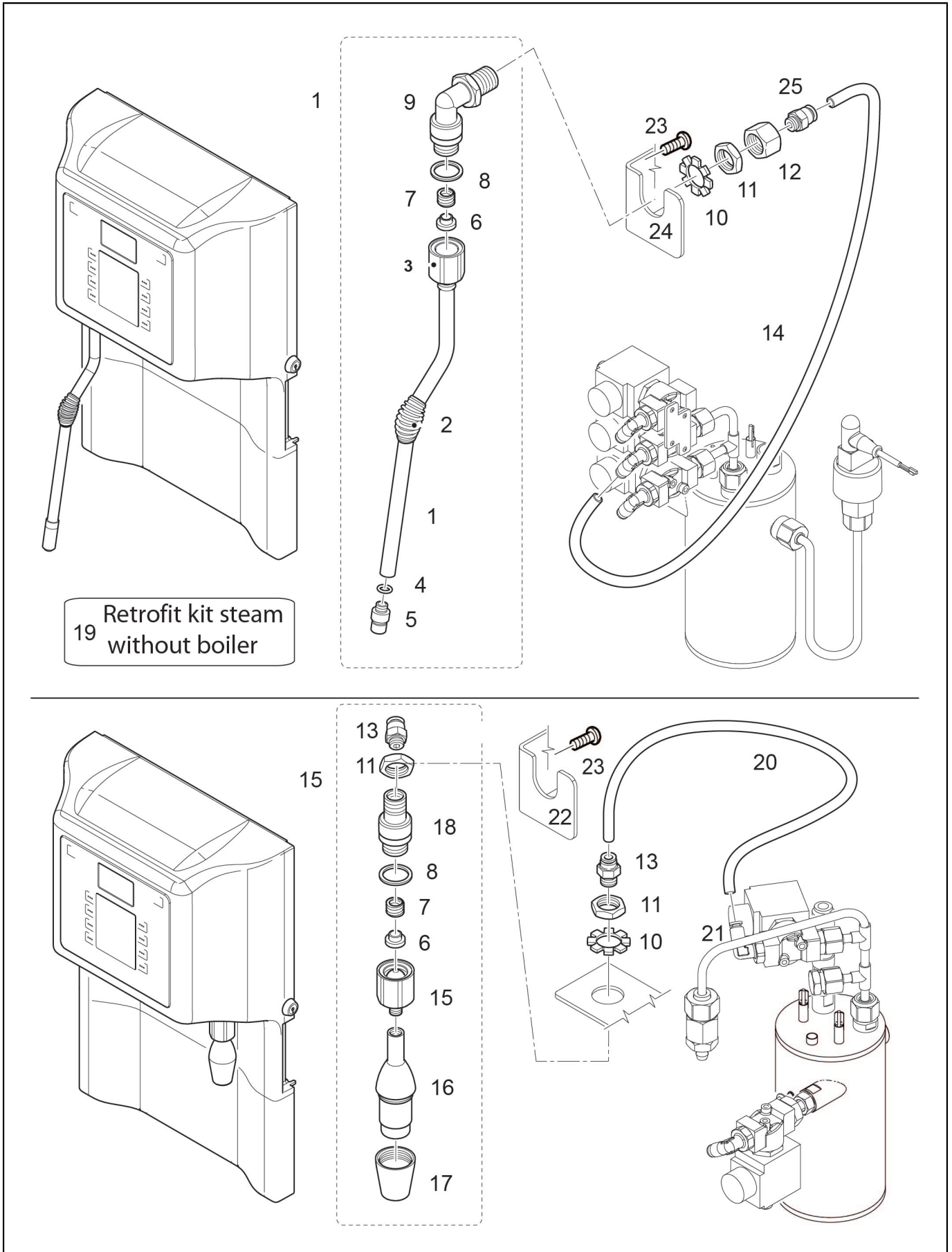




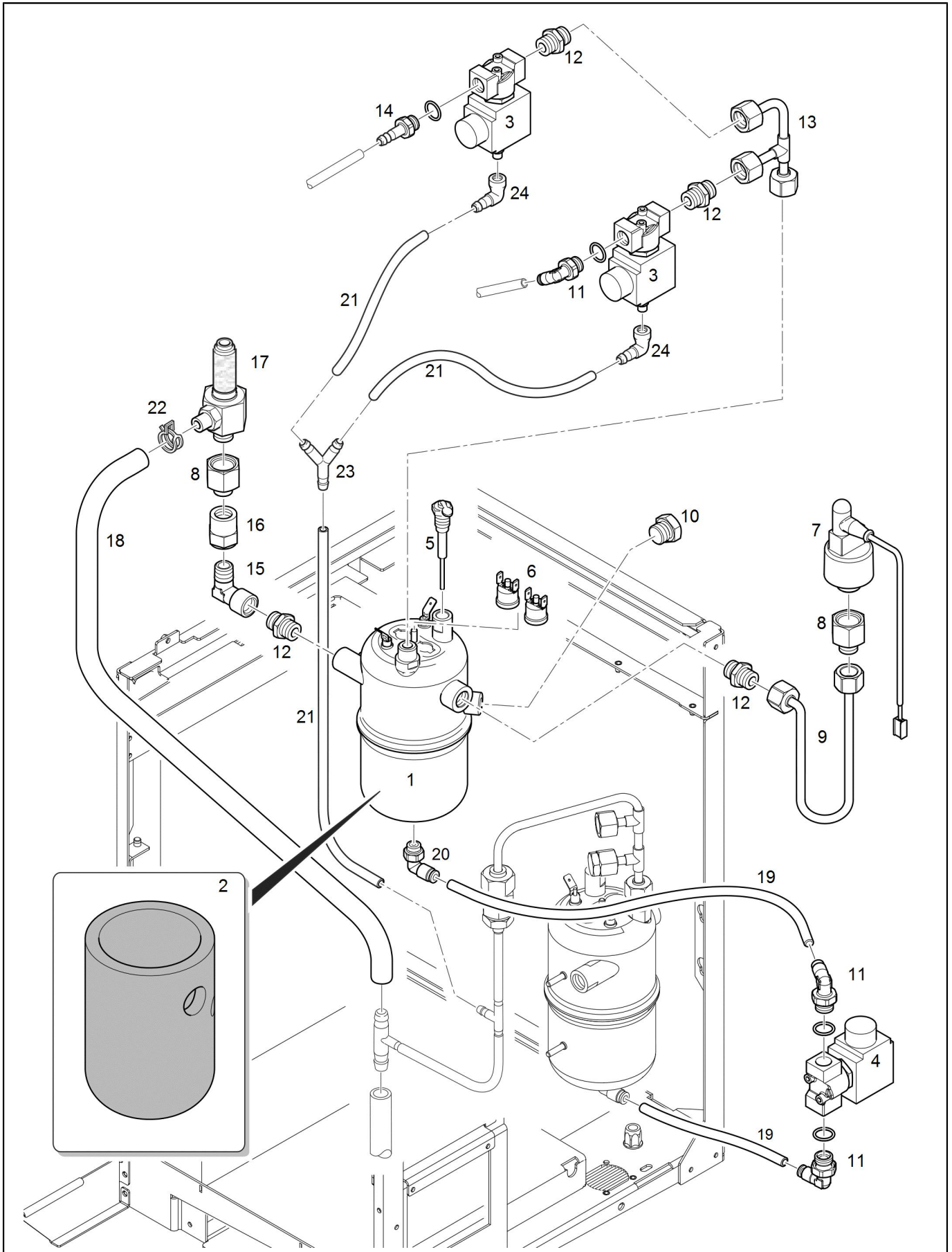
POS.	CODE	DESCRIPTION	NOTES
1	10110775	CABLAGGIO MOTORE-RESIST-GRUPPO ZERO	
2	10110777	Wiring Coffee boiler ZERO	firem boiler
	10110846	POWER CABLE 230V EGRO ZERO DHE	
	10110870	POWER CABLE 110V ZERO DHE	
3	10110778	STEAM BOILER CABLE EGRO ZERO	
	10110845	STEAM POWER CABLE 230V EGRO ZERO DHE	
4	10110846	POWER CABLE 230V EGRO ZERO DHE	
	10110870	POWER CABLE 110V ZERO DHE	
5	10110781	MICRO CABLE EGRO ZERO	
6	10110785	WIRING GRINDER EGRO ZERO	110V & 230V
7	10110780	POWDER UNIT CABLE EGRO ZERO	
	10110787	STEAM POWER WIRING ZERO	
	10110845	STEAM POWER CABLE 230V EGRO ZERO DHE	
	10110869	STEAM POWER CABLE 110V ZERO DHE	
8	10110774	WIRING SWITCHING ZERO	
9	10110784	CABLAGGIO ENCODER ZERO	
10	10110782	USB EXTENSION CABLE EGRO ZERO	
	10110784	CABLAGGIO ENCODER ZERO	
11	10120004	CABLE PRESSURE PROBE	
	34200288	PRESSURE SENSOR	
12	10110789	KEYBOARD WIRING	
13	10110779	MILK SYSTEM WIRING ZERO	
	10110820	WIRING EGRO ZERO NMS	
14	10110841	CABLE GRINDER FUSE 110V ZERO	
	10110842	GRINDER FUSE CABLE 230V EGRO ZERO	
15	10120010	CABLAGGIO 24V PUMP-ZERO PLUS	
16	10110771	WIRING MOTOR CPU POWDER MODULE	
	10110840	WIRING BYPASS ZERO	for bypass (Y20)retrofit connect to J8 / für Bypass nachrüstung anschliessen an J8
17	10110775	CABLAGGIO MOTORE-RESIST-GRUPPO ZERO	
18	10110780	POWDER UNIT CABLE EGRO ZERO	
21	10110001	FLAT CABLE PAY SYSTEM MACHINE 16 POLES	



POS.	CODE	DESCRIPTION	NOTES
1	34030079	SWITCH BLACK 0-1	
	38120207	SWITCH BRACKET ZERO	
2	10110780	POWDER UNIT CABLE EGRO ZERO	
	10110781	MICRO CABLE EGRO ZERO	
	10110785	WIRING GRINDER EGRO ZERO	
	10110786	POWER WIRING ZERO	
	10110787	STEAM POWER WIRING ZERO	
3	10110775	CABLAGGIO MOTORE-RESIST-GRUPPO ZERO	
5	10701053	KIT TRIAC ZERO	
6	34150023	CLAMP 3 POL.	
7	10110774	WIRING SWITCHING ZERO	
	34070314	POWER SUPPLY 24V 100W	only for Zero and Zero NMS
8	10701052	CONTROL BOARD ZERO	
9	10110789	KEYBOARD WIRING	
2	10110782	USB EXTENSION CABLE EGRO ZERO	



POS.	CODE	DESCRIPTION	NOTES
1	10701039	STEAM WAND ZERO ASSY.	
2	36990004	RUBBER FOR STEAM PIPES	
3	23000339	NUT CONNECTION WAND INOX	
4	36301050	O-RING 6.4X1.9	
5	23000115 25111006	STEAM SPRAYER SILVIA STEAM NOZZLE	
6	36930016	GASKET TEFLON CONNECTION STEAM WAND	
7	39110038	SPRING CONNECTION STEAM TAP	
8	36930017	TEFLON GASKET FOR STEAM WAND NUT	
9	20200113	HOT WATER CONNECTION BRASS	
10	37431600	OUTER TOOTHED WASHER D16	
11	26220005	FLAT NUT 3/8	
12	00100855.001	SLEEVE	
13	69200134	STRAIGHT CONNECTOR G1/8 X 4	
14	38228073	TEFLON HOSE FEP D. 6 X 4	
15	10701040 10701100 23000144 25128014 25128015	WATER WAND ZERO ASSY. WATER WAND ZERO ASSY. RIGHT EXTENSION INOX M10 X 23MM EXTENSION INOX M10 X 76MM EXTENTION INOX M10 X 59MM	
16	10049120	WATER WAND ZERO	
17	25135018	LOWER PART WATER SPRAYER	
18	20200113 23000300	HOT WATER CONNECTION BRASS WATER WAND RIGHT CONNECTION ZERO	
20	38228072	TEFLON HOSE FEP D. 4,0 X 2,5	
21	69200142	ELBOW CONNECTOR G1/4x4 PPSU	
22	32551281	BRACKET WATER SPOUT	
23	00001518 37040510	KEPS NUT M4 SCREWM5 X 10MM	
24	32551174	STEAM BRACKET ZERO	
25	69200135	STRAIGHT CONNECTOR G1/8 X 6	



POS.	CODE	DESCRIPTION	NOTES
1	10701243	RETROFIT KIT COFFEE AND STEAM BOILER DHE ZERO	
2	69000415	BOILER INSULATION	
3	00100016.005 00100116.005 34040184	Plunger 3/2 steam T30 (ACL) OPERATOR KIT 3/2 WAYS STEAM (ACL) T30 Valve 3/2 24V T30 (Sirai)	
4	00100559.001 00100560.001 34040183	OPERATOR KIT 2/2 WAY WATER T30 (ACL) Plunger 2/2 water T30 (ACL) Valve 2/2 24V T30 (Sirai)	
5	34200068	LEVEL PROBE ASSEMBLY 70	
6	32331780 34200101	THERMOSTAT FIXING BRACKET THERMOSTAT 140 STEAM BOILER	
7	34200288	PRESSURE SENSOR	
8	00100869.001 23000077	ADAPTER NIPPLE D. G 1/4 X 3/8 EXTENSION CONNECTOR PRESSION TRANSDUCER	
9	10042103	PIPE 6X4X240 F1/4-F1/4	
10	23000289	CLOSING PIN G1/4	
11	69200142	ELBOW CONNECTOR G1/4x4 PPSU	
12	00048923	DOUBLE NIPPLE G 1/4 X G 1/4	
13	10042200	PIPE EXPANSION VALVE-SAFETY VALVE ZERO	
14	23000316	CONNECTOR FOR SILICON PIPE 5mm x G1/4	
15	00018843	ADJUSTABLE ELBOWG 1/4 X D. 8MM	
16	23000239	CONNECTOR F1/4-F1/4	
17	00039067 00045682	RELIEF VALVE, STEAM SPLASH GUARD-HOSE D. 16,0 X 45,0	
18	00052557	SILICON HOSE D. 18 X 12 MM	
19	38228075	TEFLON HOSE 4 X 2 FDA	
20	69200139	ELBOW CONNECTOR 4 x G1/8 PPSU	
21	00004474	SILICON HOSE D. 8 X 5 MM	
22	00055795	WIRE HOSE CLAMP 17,3 MM	
23	00055748	Y UNIT D. 6 MM	
24	38121034	PIPE CONNECTOR EP5	



Code	No. table	Pos.	Code	No. table	Pos.	Code	No. table	Pos.
00000928	2001	21	10054002	2001	37	10700325	2003	32
00000930	2001	12	10060009	2000	21	10700353	2003	26
00000935	2001	40	10060479	2000	21	10700356	2003	32
00001065	2002	14	10060607	2000	3	10701035	1001	16
00001176	2001	4	10060608	2000	15	10701036	2001	36
00001517	1001	7	10060608	2000	4	10701037	2002	15
00001518	5000	23	10110001	Z3001	21	10701038	2002	15
00001521	2001	24	10110771	Z3001	16	10701039	5000	1
00004473	2000	17	10110774	3000	7	10701040	5000	15
00004474	2000	20	10110774	Z3001	8	10701050	2001	11
00004474	5002	21	10110775	3000	3	10701051	2001	1
00017719	1001	7	10110775	Z3001	1	10701052	3000	8
00018843	5002	15	10110775	Z3001	17	10701053	3000	5
00039064	2001	8	10110777	Z3001	2	10701100	5000	15
00039067	5002	17	10110778	Z3001	3	10701145	1001	6
00040706	1001	7	10110779	Z3001	13	10701151	2003	32
00044464	2000	15	10110780	3000	2	10701242	2000	1
00044464	2003	10	10110780	Z3001	18	10701243	2000	1
00044824	2003	9	10110780	Z3001	7	10701243	5002	1
00045032	2001	18	10110781	3000	2	10701274	1001	9
00045682	5002	17	10110781	Z3001	5	10701347	2002	1
00045714	2000	19	10110782	3000	2	10701642	2000	12
00045715	2003	9	10110782	Z3001	10	10705529	1000	7
00046806	2000	18	10110784	Z3001	10	10705529	1001	13
00046844	1000	13	10110784	Z3001	9	10705529	2002	4
00046844	2001	28	10110785	3000	2	10705690	1001	2
00046844	2002	10	10110785	Z3001	6	10705698	1000	6
00047077	1001	8	10110786	3000	2	10705708	1000	6
00047078	1001	8	10110787	3000	2	10705750	1000	3
00048354	1001	7	10110787	Z3001	7	10705750	2003	23
00048548	2001	13	10110789	3000	9	10705755	2002	16
00048550	2001	23	10110789	Z3001	12	10705755	2002	16
00048747	2001	30	10110820	Z3001	13	10705755	2002	18
00048923	5002	12	10110840	Z3001	16	10705755	2002	18
00050096	2000	22	10110841	Z3001	14	10781312	1000	4
00052557	2000	26	10110842	Z3001	14	10880306	1000	14
00052557	5002	18	10110845	Z3001	3	10905151	1001	5
00054064	2000	11	10110845	Z3001	7	20200113	5000	18
00054067	2000	9	10110846	Z3001	2	20200113	5000	9
00054647	2000	23	10110846	Z3001	4	23000077	5002	8
00054861	2001	6	10110869	Z3001	7	23000094	2003	28
00054944	1001	7	10110870	Z3001	2	23000115	5000	5
00055483	1001	7	10110870	Z3001	4	23000144	5000	15
00055748	5002	23	10120004	Z3001	11	23000223	1001	16
00055795	5002	22	10120010	Z3001	15	23000239	5002	16
00057446	2001	41	10700176	2001	3	23000242	2003	28
00060116	2001	5	10700177	2001	2	23000274	2000	14
00060283	2001	17	10700178	2001	33	23000289	2000	15
00060858	2001	27	10700303	1001	1	23000289	5002	10
00100016.005	5002	3	10700304	1001	1	23000299	2000	27
00100116.005	5002	3	10700305	2002	11	23000300	5000	18
00100136.001	2001	7	10700306	2002	11	23000306	1000	20
00100147.001	2000	3	10700307	2002	11	23000316	5002	14
00100149.001	2000	3	10700308	2002	11	23000339	5000	3
00100248.002	2003	16	10700309	1001	14	23000377	2003	24
00100506.001	2001	9	10700312	1001	1	23000378	2003	5
00100559.001	2000	4	10700313	1000	12	24300010	2001	32
00100559.001	5002	4	10700313	2002	9	25111006	5000	5
00100560.001	2000	4	10700314	1000	12	25128014	5000	15
00100560.001	5002	4	10700314	2002	9	25128015	5000	15
00100855.001	5000	12	10700315	1000	12	25135018	5000	17
00100869.001	5002	8	10700316	1000	12	26220005	5000	11
10042103	5002	9	10700317	1000	12	27350014	2000	10
10042199	2000	6	10700319	1001	1	27350014	2000	27
10042200	5002	13	10700320	2003	25	27350014	2000	3
10046062	2000	5	10700321	2003	32	30001048	2001	19
10049120	5000	16	10700322	2003	32	32331407	1001	6

Code	No. table	Pos.	Code	No. table	Pos.
32331443	2001	20	37900115	1001	17
32331489	1000	4	38120115	2001	31
32331498	2001	14	38120119	2001	30
32331780	2000	13	38120120	2001	29
32331780	5002	6	38120192	2002	2
32331910	2002	3	38120193	1001	11
32551162A	1000	1	38120205	1000	9
32551163A	1000	2	38120207	3000	1
32551169	2003	12	38120212	1000	22
32551174	5000	24	38120213	1001	15
32551187	1001	12	38120217	2002	8
32551190	1000	14	38120223	2003	25
32551281	5000	22	38120224	2003	25
32551291	1000	21	38120253	1000	19
34011023	2003	1	38120254	1000	19
34011026	2003	1	38120591	1000	5
34011029	2003	1	38121034	5002	24
34020125	2001	35	38123568	1000	10
34020128	2003	27	38123852	1000	11
34020129	1000	3	38221020	1000	16
34030079	3000	1	38228072	2000	16
34040125	2003	3	38228072	2001	15
34040183	2000	4	38228072	2003	17
34040183	5002	4	38228072	2003	7
34040184	2000	3	38228072	5000	20
34040184	5002	3	38228073	2003	22
34070053	2003	9	38228073	5000	14
34070314	3000	7	38228075	5002	19
34150023	3000	6	39110026	2001	34
34200044	2003	1	39110038	5000	7
34200068	5002	5	39110062	1001	16
34200071	2001	39	39110062	1001	18
34200101	5002	6	39110085	2003	25
34200212	1001	16	39920017	2002	13
34200288	5002	7	45010208	1001	4
34200288	Z3001	11	45010209	1000	15
34200294	2000	13	69000244	2000	24
35002509	2000	25	69000337	1000	8
36301050	5000	4	69000337	1001	13
36322005	2003	14	69000337	2002	5
36404059	1000	17	69000415	2000	2
36901804	2003	21	69000415	5002	2
36901957	2003	25	69111016	2003	25
36930016	5000	6	69111017	2003	25
36930017	5000	8	69140036	2002	12
36930018	1001	16	69140039	2002	17
36930101	1001	7	69200069	2003	2
36930102	1001	7	69200095	2003	6
36930110	2001	10	69200133	2001	16
36930111	2001	22	69200133	2003	6
36990004	5000	2	69200134	5000	13
36990034	2002	7	69200135	5000	25
36990037	1000	18	69200139	2000	8
36990056	2003	4	69200139	2003	18
36990057	2003	13	69200139	2003	8
37030509	2003	15	69200139	5002	20
37030509	2003	29	69200142	2000	7
37040409	2001	26	69200142	2003	11
37040409	2001	40	69200142	5000	21
37040510	5000	23	69200142	5002	11
37060306	2001	38	69200154	2003	20
37113508	2002	6	69200175	2003	31
37113535	1001	10	69200187	2003	19
37155011	2001	25	69200187	2003	30
37410300	2002	6			
37420300	2001	38			
37431600	5000	10			

## Contacts

### HEADQUARTERS, PRODUCTION PLANT AND R&D CENTERS

**Rancilio Group s.p.a.**  
Viale della Repubblica 40  
20010 Villastanza di Parabiago  
Milano - Italy  
Tel +39 0331 408200  
Fax +39 0331 551437  
www.ranciliogroup.com  
info@ranciliogroup.com

**Egro Suisse AG**  
Bahnhofstrasse 66  
5605 Dottikon - Switzerland  
Tel. +41 (0)56 616 95 95  
Fax +41 (0)56 616 95 97  
www.egrocoffee.com  
info@egrocoffee.com

### WORLDWIDE BRANCH LOCATIONS

#### SPAIN

RancilioGroup Espana, s.a.  
Gran Via de Carlos III, 84 3ª  
Edificio Trade  
08028 Barcelona - Spain  
Ph. +34 902 884 275  
Ph. +34 934 923 414  
Fax +34 934 965 701  
www.ranciliogroup.com  
info-es@ranciliogroup.com

#### PORTUGAL

Rancilio Group Portugal Lda  
Estrada da Falagueira nº 68 E  
2700-365 Amadora-Lisboa - Portugal  
Ph. + 351 21 019 10 91  
Fax + 351 21 019 10 91  
  
Rua Nova do Seixo 1282  
4465-706 Leca do Balio-Porto - Portugal  
Ph. + 351 22 010 14 19  
Fax + 351 22 010 14 19  
www.ranciliogroup.com  
info-pt@ranciliogroup.com

#### GERMANY

Rancilio Group Deutschland GmbH  
Talstrasse 27  
97990 Weikersheim - Germany  
Ph. +49 7934 99 29 30  
Fax +49 7934 99 29 330  
www.ranciliogroup.de  
info-de@ranciliogroup.com

#### SWITZERLAND

Egro Suisse AG  
Bahnhofstrasse 66  
5605 Dottikon - Switzerland  
Tel. +41 (0)56 616 95 95  
Fax +41 (0)56 616 95 97  
www.egrosuisse.ch  
info@egrosuisse.ch

#### USA/CANADA

RancilioGroup North America Inc.  
1340 Internationale Parkway / Suite  
200  
Woodridge, IL 60517 - U.S.A.  
Ph: +1 630 914 7900  
Fax: +1 630 914 7901  
Toll Free: +1 877 726 2454  
www.ranciliogroup.com  
info@ranciliogroupna.com

