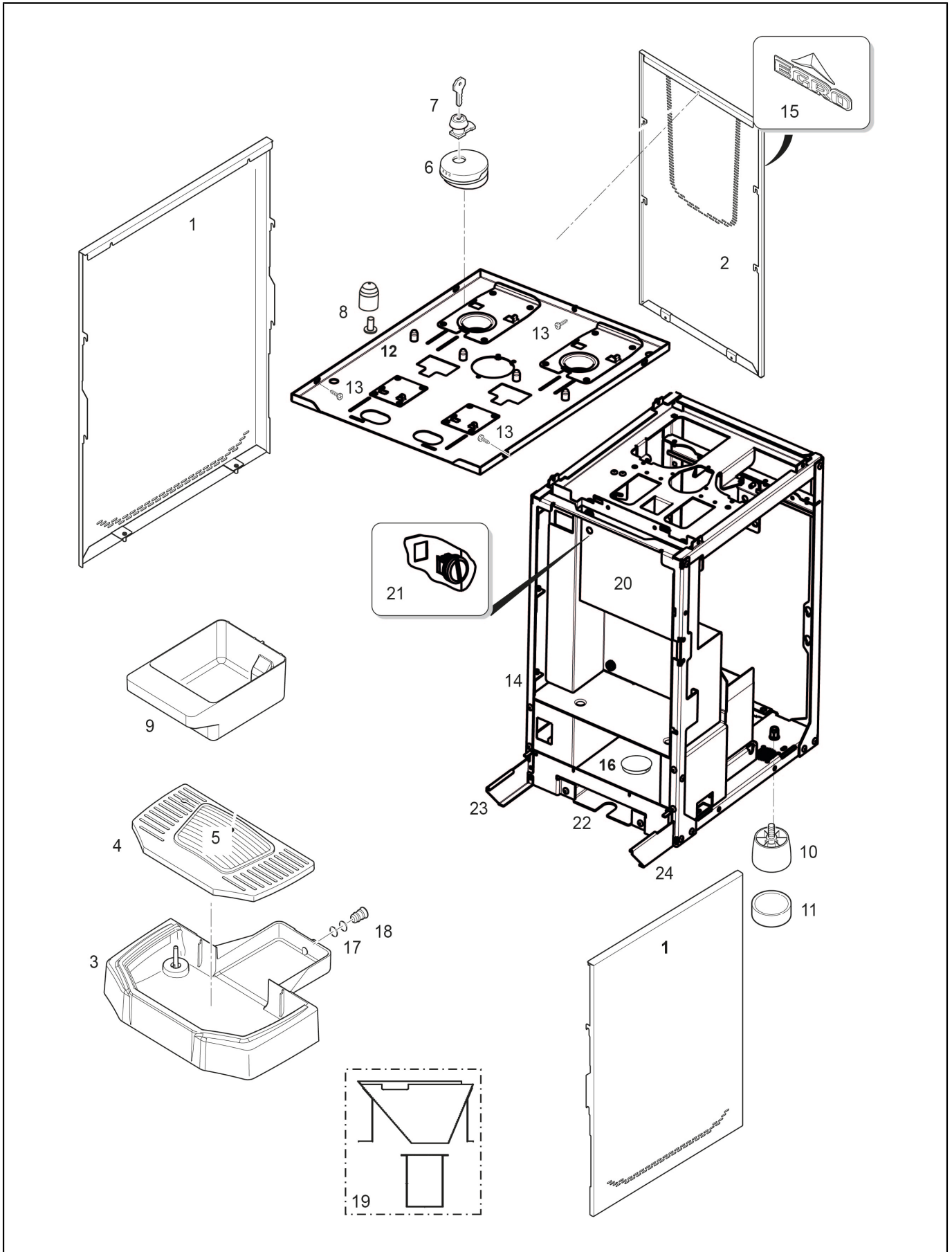


EGRO ZERO QUICK MILK

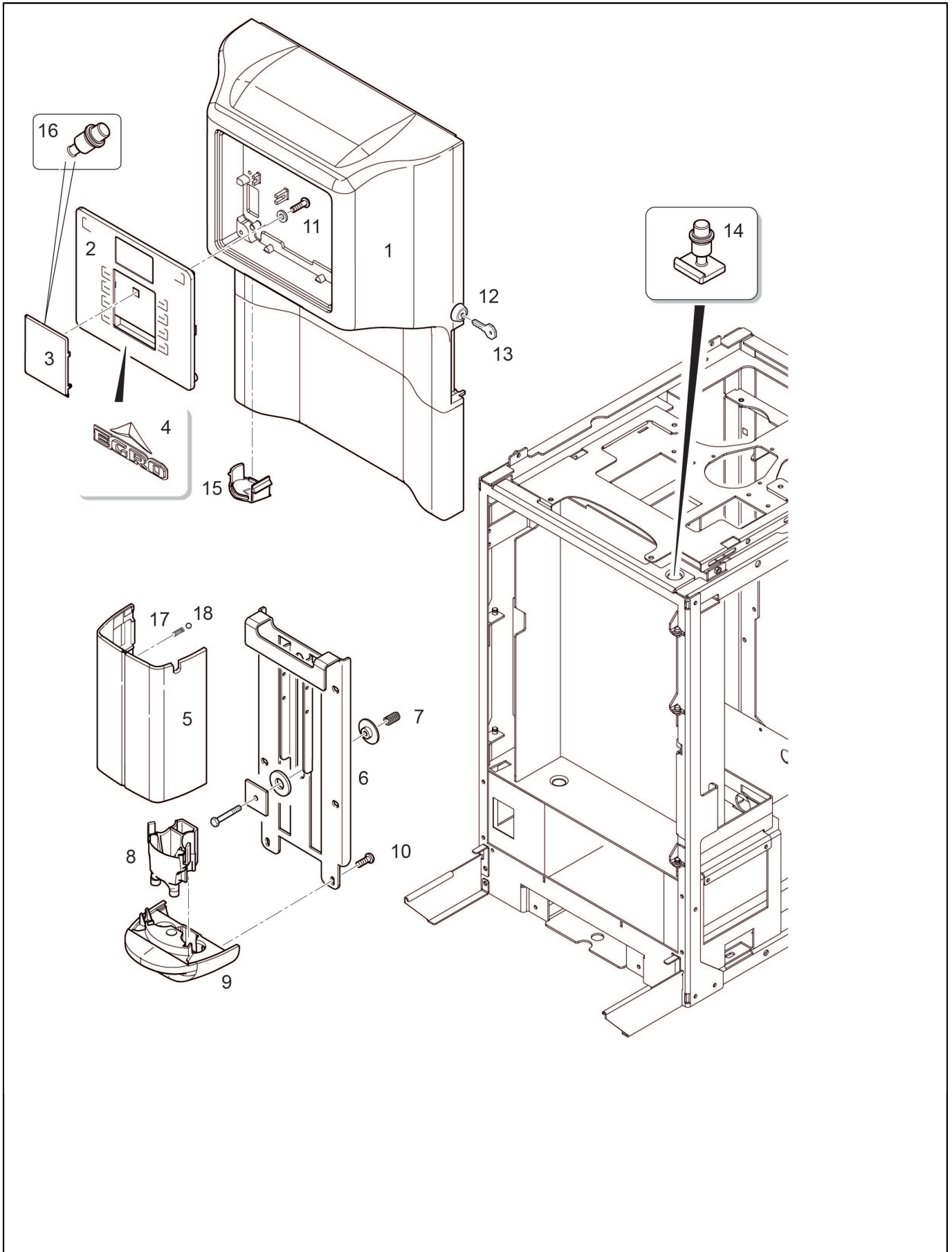


EGRO ZERO

Table 1000 - Housing.....	4
Table 1001 - Front Panel.....	6
Table 2001 - Coffee Brewing Group.....	8
Table 2005 - Steam boiler.....	12
Table 2002 - Bean Hopper-Grinders.....	14
Table 2003 - Water Inlet System.....	16
Table 2000 - Coffee line	18
Table Z3001 - Electric Cable.....	20
Table 3000 - Electric Part/Electronic Board.....	22
Table 4000 - QM Milk Brewing System.....	24
Table 5000 - Water spout/steam wand.....	26
Table Z5003 - Powder hopper.....	28
Alphanumeric index.....	30

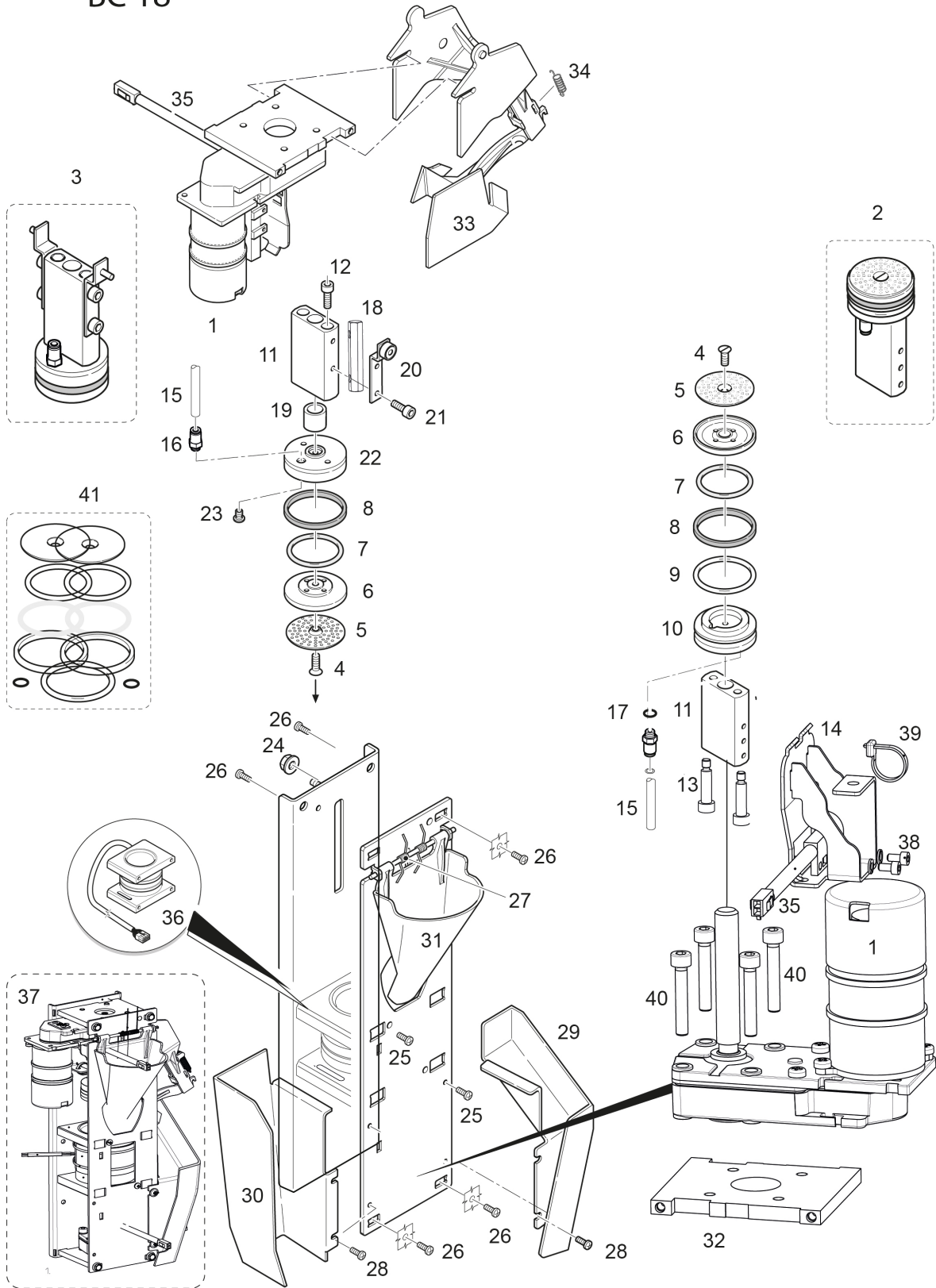


POS.	CODE	DESCRIPTION	NOTES
1	32551162A	SIDE PANEL ZERO	
2	32551163A	REAR PANEL ZERO	
3	10705750	RETROFIT KIT DRIP TRAY/16 ZERO	
	34020129	MAGNET 10 X 6	
4	10781312	CUP TRAY ZERO SELF	
	32331489	CUP TRAY ZERO	
5	38120591	CUP TRAY GRID BLACK	
6	10705698	COFFEE POWDER INLET ASSY.	
	10705708	COFFEE POWDER INLET SELF ASSY	
7	10705529	LOCK ASSAY. RONIS M15X17,5 WITH HOOK 25.5MM	
8	69000337	LOCK 90 M15 X 17,5	
9	38120205	COFFEE WASTE DRAWER ZERO	
10	38123568	MACHINE FOOT	
11	38123852	RISER FOR MACHINE FOOT	
12	10700313	TOP LID 1 GRINDER	
	10700314	TOP LID 2 GRINDER	
	10700315	TOP LID 1GRIDER+1POWDER	
	10700316	TOP LID 2 GRINDER+1POWDER	
	10700317	TOP LID 2GRINDER+2POWDER	
13	00046844	SCREW M4 X 8 MM	
14	10880306	INTERNAL DOOR	
	32551190	INTERNAL DOOR ZERO NO TANK	
15	45010209	Sticker "EGRO LOGO" big	
16	38221020	CAP D. 88,9 BLACK	
17	36404059	O-RING 14X1,78 NBR70 BLACK 2056	
18	36990037	DRAIN TRAY CAP ZERO	
19	38120253	WASTE FUNNEL ZERO	
	38120254	WASTE EXTENSION	
20	23000306	PIVOT CLOSING LOCK ZERO/14	
21	32551291	INTERNAL COVER ZERO/14	
22	38120212	COVER DRIP TRAY ZERO	



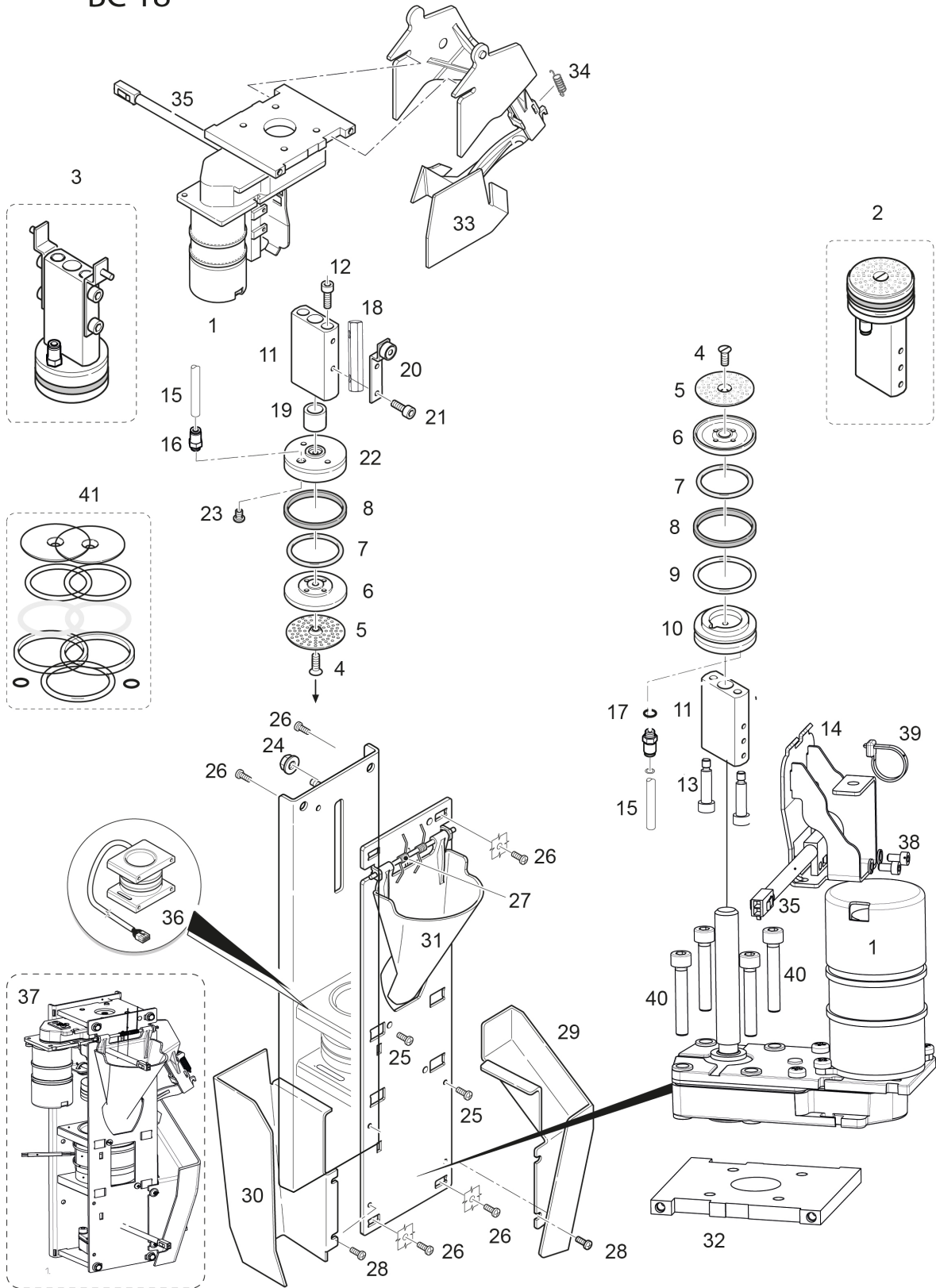
POS.	CODE	DESCRIPTION	NOTES
1	10700303	FRONT PANEL ASSY. NO STEAM	
	10700304	FRONT PANEL ASSY. WITH STEAM	
	10700312	FRONT PANEL ASSY. QUICK MILK	
	10700319	FRONT PANEL ASSY. QUICK MILK WITH STEAM WAND	
2	10705690	CAPACITIVE KEYPAD ZERO	
4	45010208	Sticker "EGRO LOGO" small	
5	10905151	COVER COFFEE OUTLET EGRO ZERO	
6	10701145	RETROFIT KIT ZERO QM NMS	
	32331407	COFFEE OUTLET BASEPLATE	
7	00001517	6-EDGE NUT SELF LOCKING M4	
	00017719	WASHER M4 INOX	
	00040706	PLANE WASHER 4,5 X 20 X 1	
	00048354	HEX SCREW M4 X 30	
	00054944	SCREW WITH SPRING ASSAY.	
	00055483	SPRING	
	36930101	BUSH FOR SPRING COFFEE OUTLET	
	36930102	SPACER COFFEE OUTLET	
8	00047077	FLOW CUP SELF	
	00047078	FLOW CUP STANDARDT	
9	10701274	Outlet ONE Old Milk System assy.	
10	37113535	SELFSCREW M3,5X35	
11	38120193	FRONT PANEL ZERO	
12	32551187	CLOSING PANEL ZERO	
13	10705529	LOCK ASSAY. RONIS M15X17,5 WITH HOOK 25.5MM	
	69000337	LOCK 90 M15 X 17,5	
14	10700309	FRONT PANEL BUTTON ASSY.	
15	38120213	WAND CAP ZERO	
16	10701035	PUSH BUTTON PRODUCT LIST ZERO	
	23000223	BUTTONS SLIDER LABEL SHAFT	
	34200212	CLAMP + SCREW	
	36930018	BUTTON FOR PRODUCT LABEL	
	39110062	AT BALL SPRING	
17	37900115	BALL 1/4 100	
18	39110062	AT BALL SPRING	

BC 18

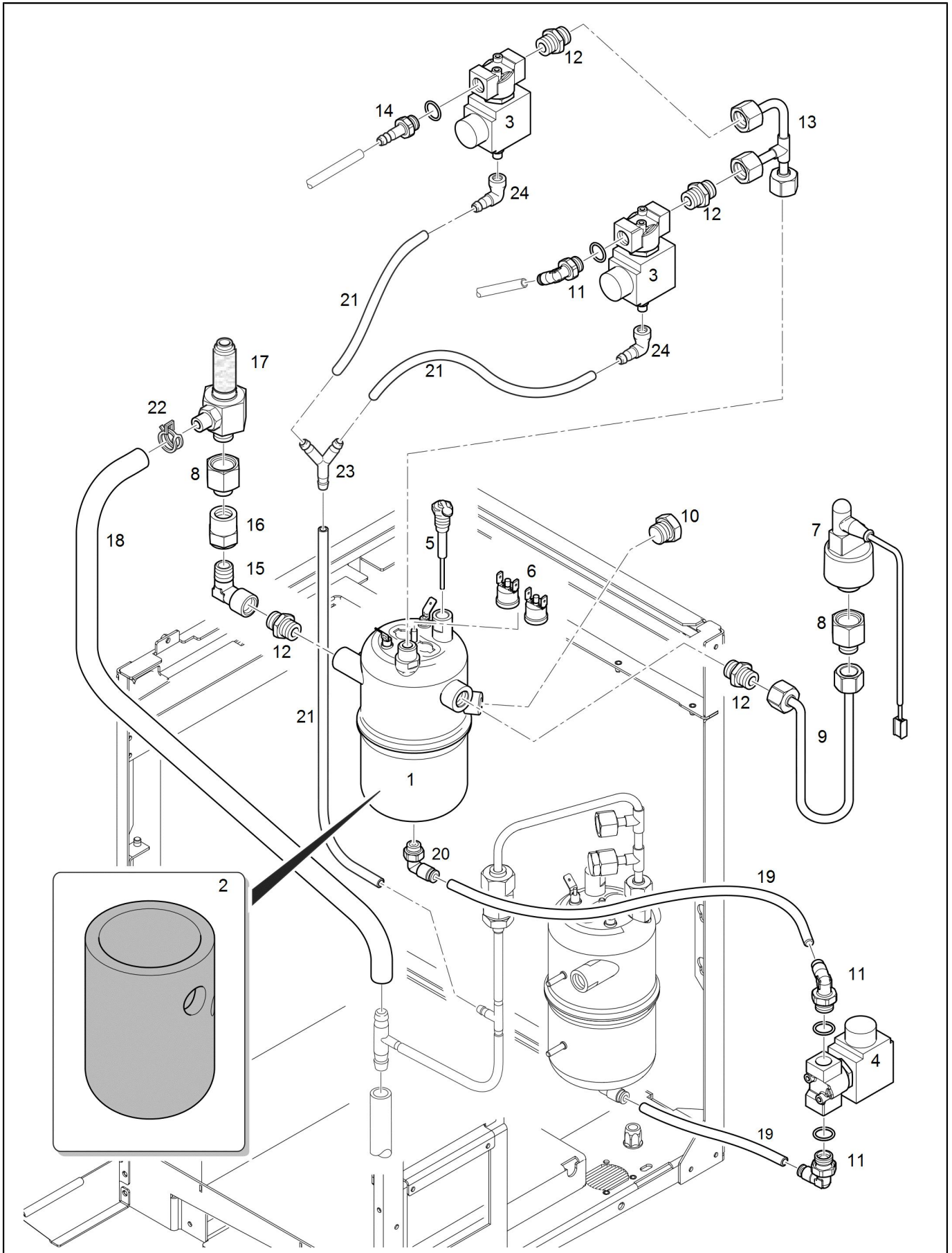


POS.	CODE	DESCRIPTION	NOTES
1	10701051	SPINDLE MOTOR WITH SENSOR	for Egro ONE: S/N 12009467 PIN 108293
2	10700177	LOWER PISTON BC18	
3	10700176	UPPER PISTON BC18	
4	00001176	COUNTERSUNK SCREW M4X12 MM	
5	00060116	BREWING SIEVE D. 44 MM	
6	00054861	FILTER CARRIER	
7	00100136.001	O-RING 31,35 X 3,53 SILICONE 70SH RED	
8	00039064	TURCON RING 32 X 44 X 4,2	
9	00100506.001	O-RING 36,09 X 3,53 SILICONE 70SH	
10	36930110	LOWER PISTON GR. BC18	
11	10701050	PISTON SHAFT WITH MAGNET	piston shaft for BC18, ATTENTION to the magnet position. (could be used also on L61 or previous groups, put the magnet on the opposite side) albero pistone per BC18, ATTENZIONE alla posizione del magnete. (può essere utilizzato su gruppi L61 o precedenti posizionando al contrario il magnete)
12	00000930	HEX SOCKET HEAD SCREW M5 X 25 MM	
13	00048548	HEX SOCKET HEAD SCREW FOR PEEK PISTONM4 X 15 MM	
14	32331498	PISTON GUIDE REED	
15	38228072	TEFLON HOSE FEP D. 4,0 X 2,5	
16	69200133	STRAIGHT CONNECTOR D.4 X M5	
17	00060283	O-RING 4 X 1,2 F	
18	00045032	NUT	
19	30001048	SPACER PISTON GUIDE	
20	32331443	BRACKET UPPER PISTON	
21	00000928	HEX SOCKET HEAD SCREW M4 X10 MM	
22	36930111	UPPER PISTON GROUP BC18	
23	00048550	FLOW LIMITER D. 0.7	
24	00001521	KEPS NUT M5	
25	37155011	SCREW ATF PT 4X10 TCB PH INOX	
26	37040409	SCREW M4 X 8 TE	
27	00060858	TRANSMISSION ASSAY.	
28	00046844	SCREW M4 X 8 MM	
29	38120120	SPINDLE MOTOR PROTECTION	
30	00048747	GROUNDS SLIDE	Fit for all generation brewing unit (L61/BC18)/ passt für alle Generationen von Brühgruppen (L61/BC18)
	38120119	GROUNDS SLIDER	does not fit for Automatic spout - use metal version 00048747 / passt nicht für Automatischen Auslauf - Metall Ausführung verwenden 00048747
31	38120115	COFFEE POWDER FUNNEL	
32	24300010	SPINDLE MOTOR PLATE	
33	10700178	EJECTOR BREWING GROUP	
34	39110026	SPRING EJECTOR	
35	34020125	End switch Spindle motor	
36	10701036	BREWING CHAMBER BC18	
37	10054002	BREWING GROUP BC18	
38	37060306	SCREW M3 X 6 TCEI	
	37420300	ELASTIC WASHER 3 X 0,8	
39	34200071	FIXING CABLE CLAMP	
40	00000935	HEX SOCKET HEAD SCREW M5 X 30 MM	

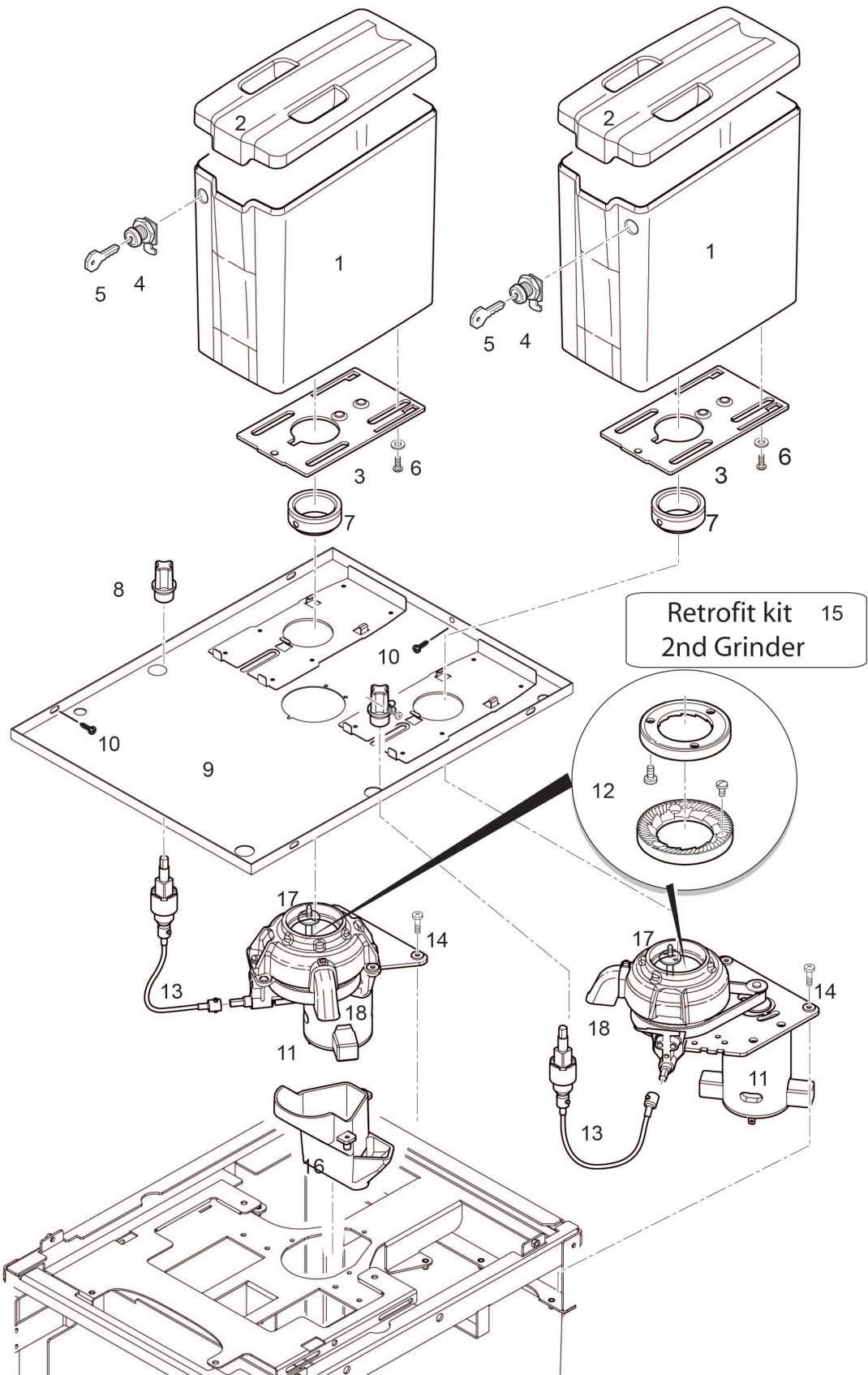
BC 18



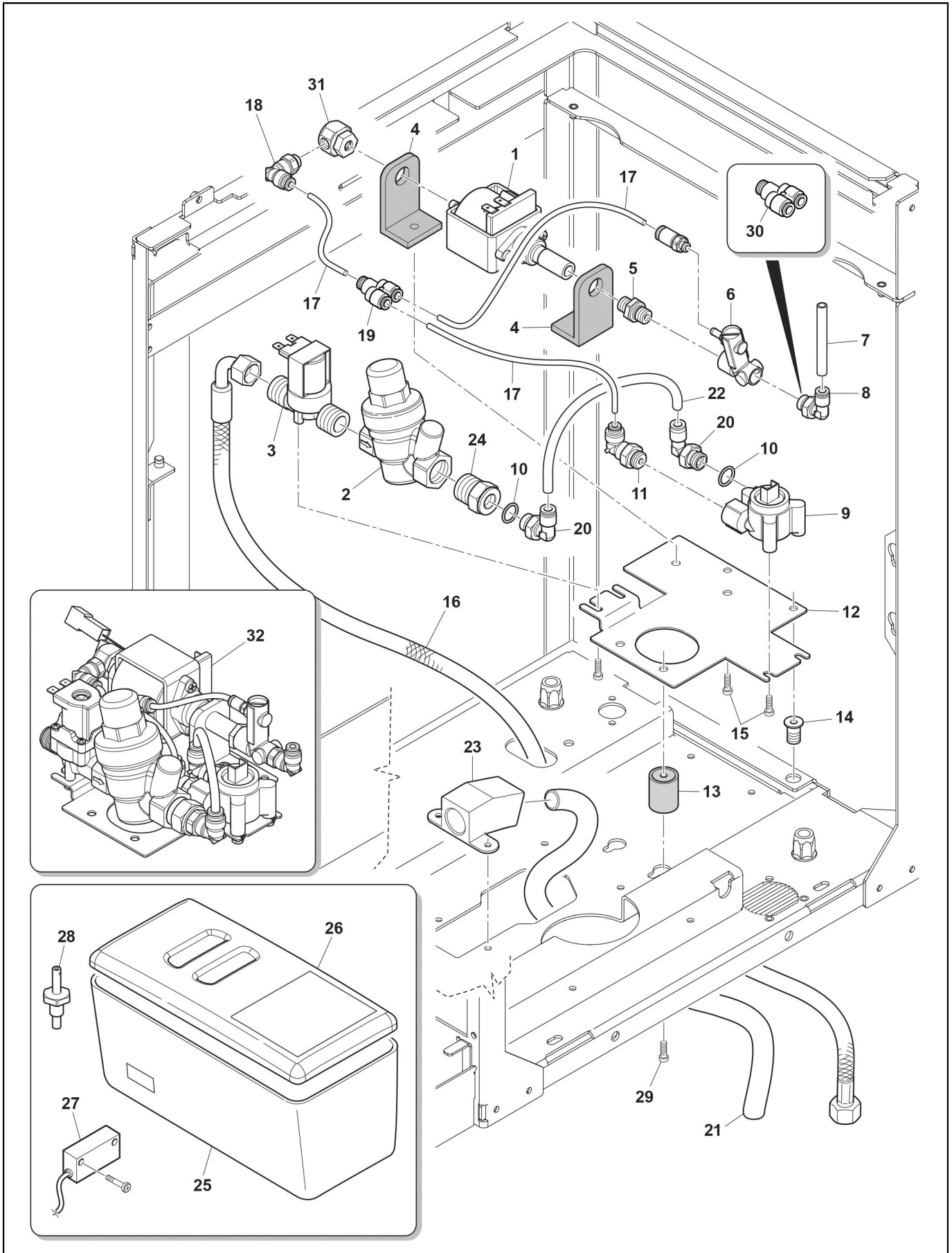
POS.	CODE	DESCRIPTION	NOTES
	37040409	SCREW M4 X 8 TE	
41	00057446	GASKET KIT BREWING GROUP	



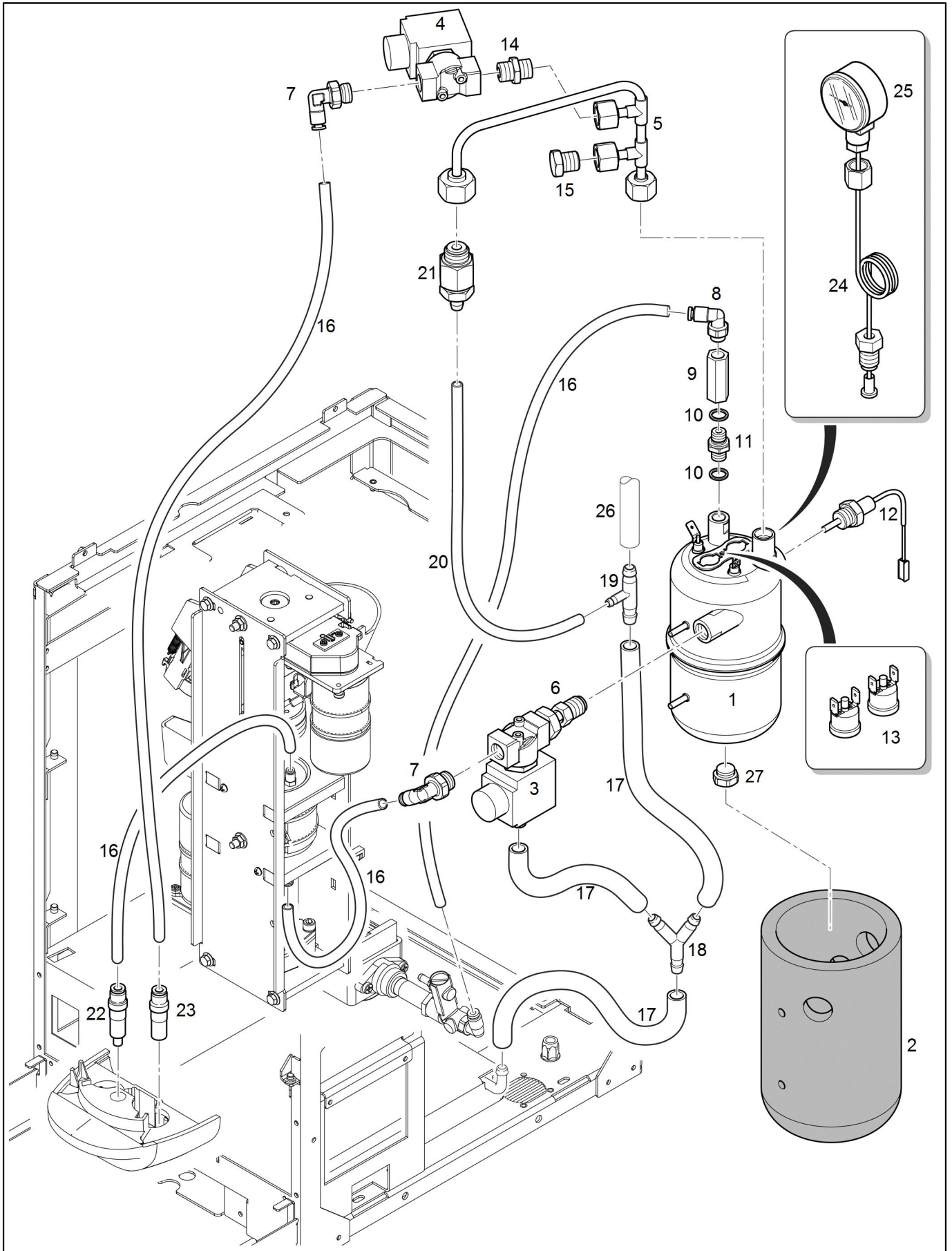
POS.	CODE	DESCRIPTION	NOTES
1	10701243	RETROFIT KIT COFFEE AND STEAM BOILER DHE ZERO	
2	69000415	BOILER INSULATION	
3	00100016.005 00100116.005 34040184	Plunger 3/2 steam T30 (ACL) OPERATOR KIT 3/2 WAYS STEAM (ACL) T30 Valve 3/2 24V T30 (Sirai)	
4	00100559.001 00100560.001 34040183	OPERATOR KIT 2/2 WAY WATER T30 (ACL) Plunger 2/2 water T30 (ACL) Valve 2/2 24V T30 (Sirai)	
5	34200068	LEVEL PROBE ASSEMBLY 70	
6	32331780 34200101	THERMOSTAT FIXING BRACKET THERMOSTAT 140 STEAM BOILER	
7	34200288	PRESSURE SENSOR	
8	00100869.001 23000077	ADAPTER NIPPLE D. G 1/4 X 3/8 EXTENSION CONNECTOR PRESSION TRANSDUCER	
9	10042103	PIPE 6X4X240 F1/4-F1/4	
10	23000289	CLOSING PIN G1/4	
11	69200142	ELBOW CONNECTOR G1/4x4 PPSU	
12	00048923	DOUBLE NIPPLE G 1/4 X G 1/4	
13	10042200	PIPE EXPANSION VALVE-SAFETY VALVE ZERO	
14	23000316	CONNECTOR FOR SILICON PIPE 5mm x G1/4	
15	00018843	ADJUSTABLE ELBOWG 1/4 X D. 8MM	
16	23000239	CONNECTOR F1/4-F1/4	
17	00039067 00045682	RELIEF VALVE, STEAM SPLASH GUARD-HOSE D. 16,0 X 45,0	
18	00052557	SILICON HOSE D. 18 X 12 MM	
19	38228075	TEFLON HOSE 4 X 2 FDA	
20	69200139	ELBOW CONNECTOR 4 x G1/8 PPSU	
21	00004474	SILICON HOSE D. 8 X 5 MM	
22	00055795	WIRE HOSE CLAMP 17,3 MM	
23	00055748	Y UNIT D. 6 MM	
24	38121034	PIPE CONNECTOR EP5	



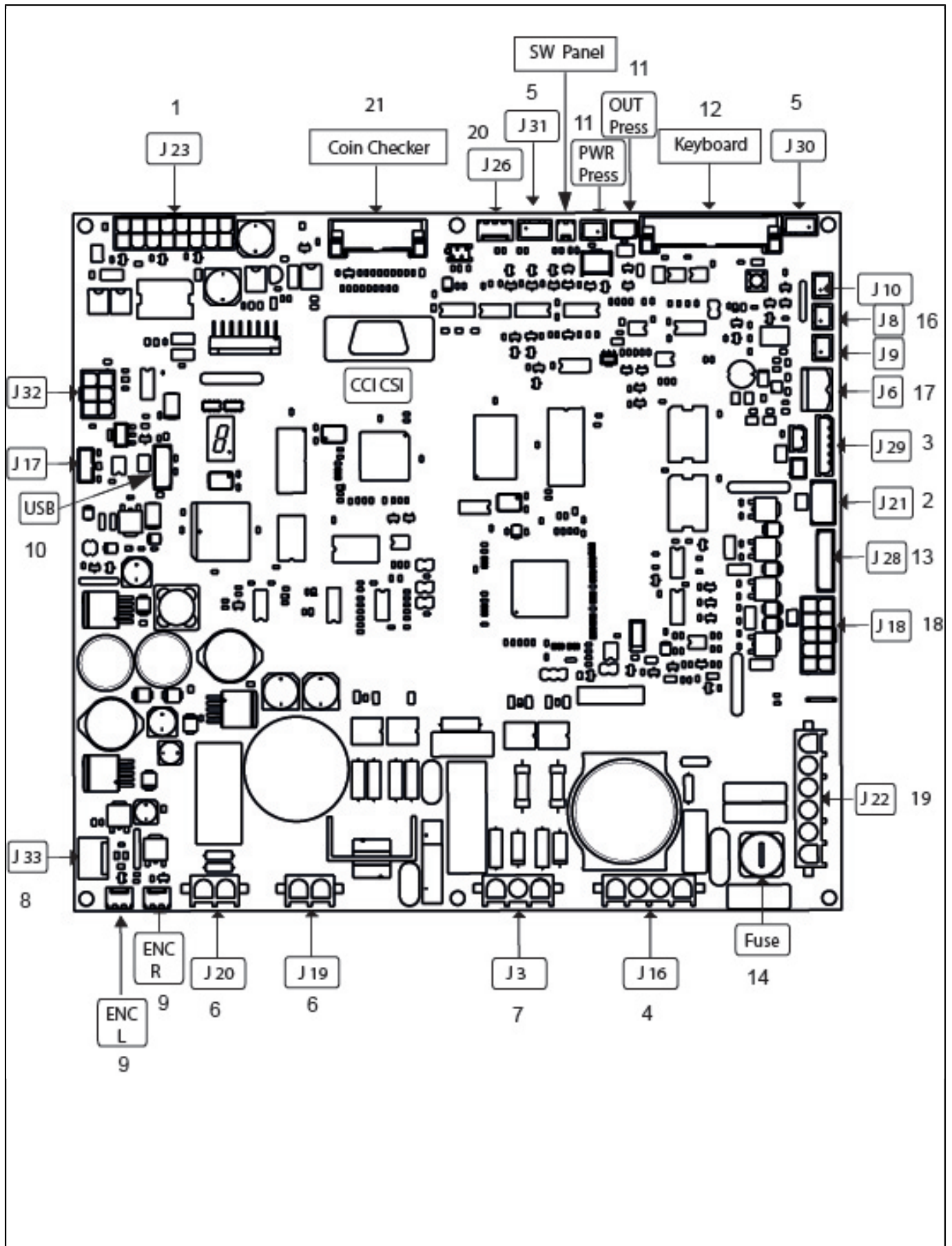
POS.	CODE	DESCRIPTION	NOTES
1	10701347	Bean hopper ZERO/16 ASSY	
2	38120192	Lid for bean hopper ZERO	
3	32331910	CLOSING SLIDER HOPPER ZERO/14	
4	10705529	LOCK ASSAY. RONIS M15X17,5 WITH HOOK 25.5MM	
5	69000337	LOCK 90 M15 X 17,5	
6	37113508	SELFSCREW M3X8	
	37410300	PLANE WASHER D3.2X9	
7	36990034	BEAN INLET RUBBER ZERO	
8	38120217	HANDLE GRINDER REGULATION	
9	10700313	TOP LID 1 GRINDER	
	10700314	TOP LID 2 GRINDER	
10	00046844	SCREW M4 X 8 MM	
11	10700305	GRINDER RIGHT 230V	
	10700306	GRINDER LEFT 230V	
	10700307	GRINDER RIGHT 110V	
	10700308	GRINDER LEFT 110V	
12	69140036	GRINDER BURRS ZERO	
13	39920017	ELASTIC MOVEMENT GRINDER REGULATION ZERO	
14	00001065	RAISED CHEESE HEAD SCREW M3 X 16 MM	
15	10701037	RETROFIT KIT 2ND GRINDER 230V ZERO	
	10701038	RETROFIT KIT 2ND GRINDER 110V ZERO	
16	10705755	RETROFIT KIT COFFEE FUNNEL	only compatible with grinder outlet 69140040 / nur kompatibel mit Mühlenausgang 69140040
	10705755	RETROFIT KIT COFFEE FUNNEL	
17	69140039	GEAR WHEEL WITH BELT	
18	10705755	RETROFIT KIT COFFEE FUNNEL	only compatible new coffee collector 38120332 / nur kompatibel mit neuem Kaffeesammler 38120332
	10705755	RETROFIT KIT COFFEE FUNNEL	



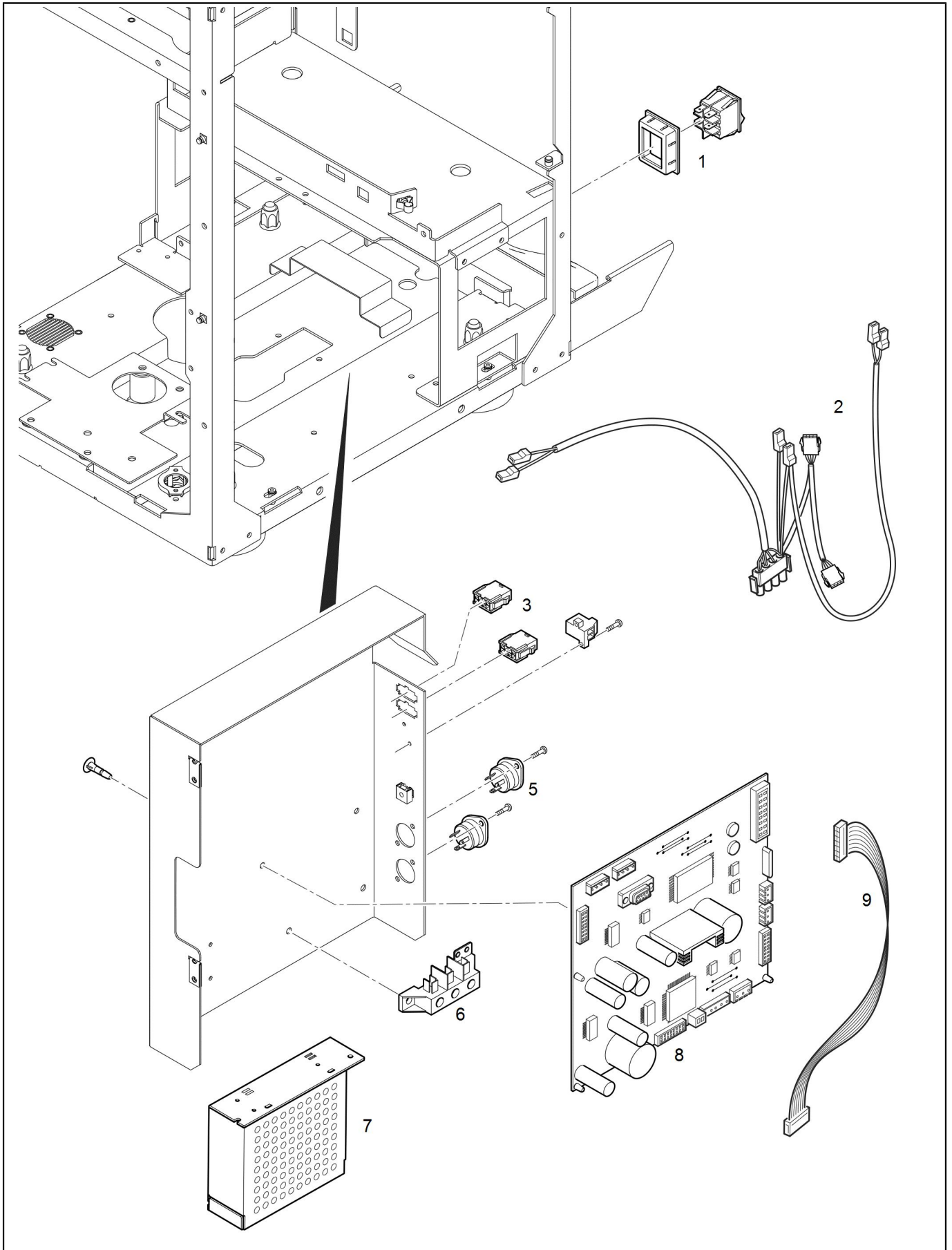
POS.	CODE	DESCRIPTION	NOTES
1	34011023	PUMP 120V 60Hz	
	34011026	PUMP 220-230V 50Hz	
	34011029	PUMP 220-230V 60HZ	
	34200044	THERMAL 2MMT 120¤	
2	69200069	PRESSURE ADJUSTER 0,8 BAR ZERO	pre-set 1,5 bar net connection only voreingestellt auf 1,5 bar (nur bei Festwasser vorhanden)
3	34040125	Valve inlet 2/2 24V	net connection only
4	36990056	ANTI-VIBRATING DEVICE ULKA	
5	23000378	CONNECTOR M1/8-M12	
6	69200095	BYPASS INLET VALVE ZERO	
	69200133	STRAIGHT CONNECTOR D.4 X M5	
7	38228072	TEFLON HOSE FEP D. 4,0 X 2,5	
8	69200139	ELBOW CONNECTOR 4 x G1/8 PPSU	
9	00044824	CONNECTOR 3 POLES	
	00045715	FLOWMETER	net connection
	34070053	FLOWMETER LOW PRESSION 1,5	tank version
10	00044464	GASKET 16,5 X 13,2 X 1,5 COPPER	net connection
11	69200142	ELBOW CONNECTOR G1/4x4 PPSU	
12	32551169	PRESSURE ADJUSTER BRACKET	
13	36990057	ANTI-VIBRATING DEVICE 20 X 25 FF	
14	36322005	THREADED INSERT M5X17	
15	37030509	SCREW M5 X 10 TCB PH INOX	
16	00100248.002	REINFORCED HOSE G 3/8 X 1500MML = 150 MM	net connection only
17	38228072	TEFLON HOSE FEP D. 4,0 X 2,5	
18	69200139	ELBOW CONNECTOR 4 x G1/8 PPSU	
19	69200187	Y CONNECTOR D.4 PPSU	
20	69200154	ELBOW CONNECTOR 6 X G1/4 X 1,78 PPSU	net connection
21	36901804	DRAIN PIPE 14 X 1500	
22	38228073	TEFLON HOSE FEP D. 6 X 4	
23	10705750	RETROFIT KIT DRIP TRAY/16 ZERO	
24	23000377	ECO RACCORDO INTERMEDIO M1/4-M1/2 ZERO -OT-	net connection only
25	10700320	TANK ASSY.	tank version
	36901957	GASKET TANK ZERO	tank version
	38120223	WATER TANK CONNECTION ZERO	tank version
	38120224	WATER TANK VALVE ZERO	tank version
	39110085	RUBBER TANK SPRING EGRO ZERO	tank version
	69111016	CARTRIDGE FILTER "M" ZERO TANK	tank version
	69111017	ADAPTER FOR FILTER "M" TO CARTRIDGE "G" ZERO TANK	tank version
26	10700353	TANK COVER ASSY. ZERO	tank version
27	34020128	LEVEL SENSOR TANK ZERO	tank version
28	23000094	NUT M10X1 FIX	
	23000242	TANK CONNECTION	tank version
29	37030509	SCREW M5 X 10 TCB PH INOX	
30	69200187	Y CONNECTOR D.4 PPSU	NMS version only
31	69200175	FAST CONNECTOR PUMP ZERO	
32	10700321	WATER INLET ASSY. 110V ZERO	only with FEP pipes
	10700322	WATER INLET ASSY. 230V ZERO	only with FEP pipes solo con tubi FEP
	10700325	WATER TANK INLET 230V ZERO	
	10700356	WATER INLET 220V 60HZ ZERO ASSY.	only with FEP pipes
	10701151	RETROFIT KIT INLET SYSTEM FEP ZERO	



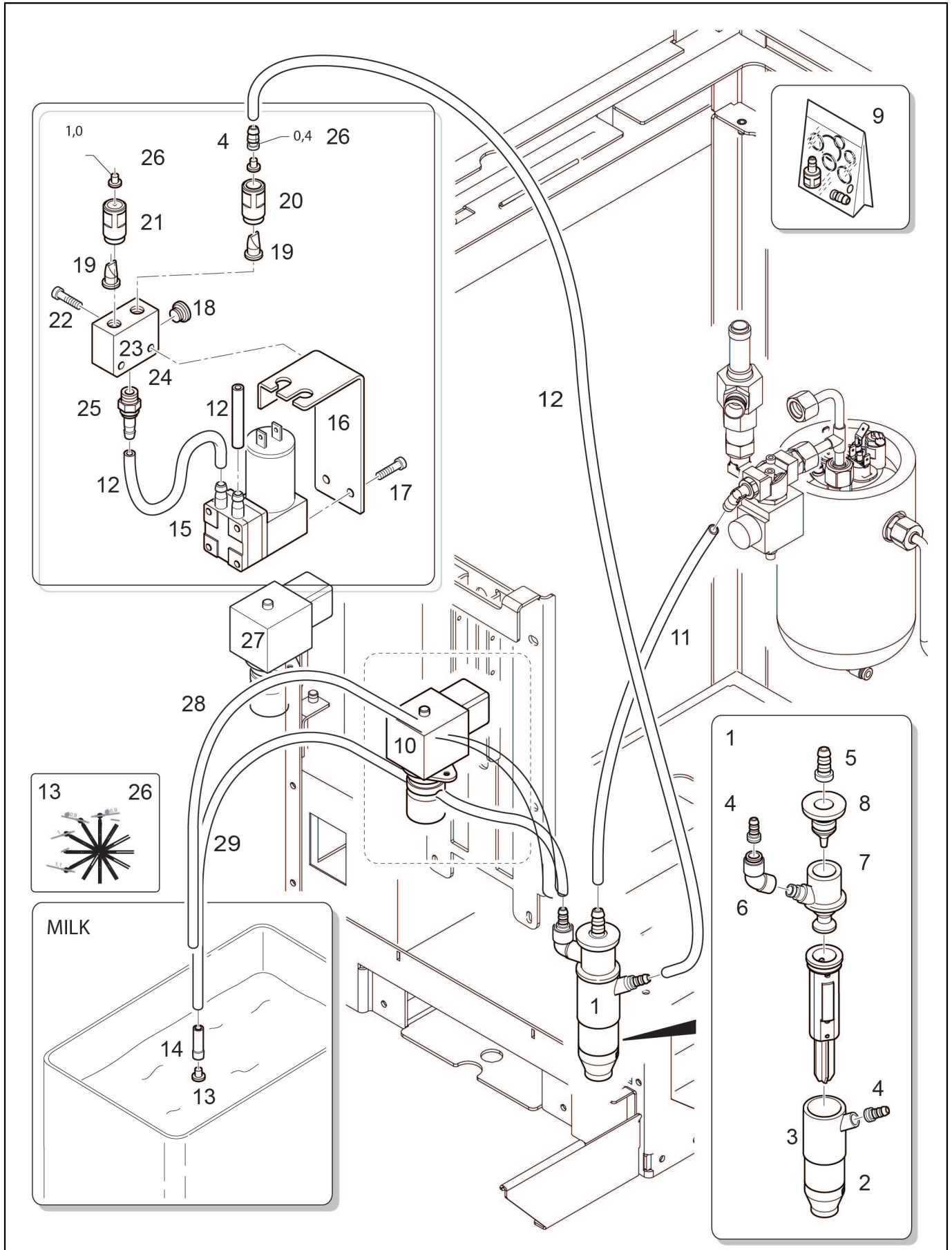
POS.	CODE	DESCRIPTION	NOTES
1	10701242	RETROFIT KIT COFFEE BOILER DHE ZERO	
	10701243	RETROFIT KIT COFFEE AND STEAM BOILER DHE ZERO	
2	69000415	BOILER INSULATION	
3	00100147.001	OPERATOR KIT 3/2 WAY WATER T30 (ACL)	
	00100149.001	Plunger 3/2 water T30 (ACL)	
	10060607	ELECTROVALVE COFFEE BOILER	
	27350014	COPPER GASKET 12.5X9.8X1.5	
	34040184	Valve 3/2 24V T30 (Sirai)	
4	00100559.001	OPERATOR KIT 2/2 WAY WATER T30 (ACL)	
	00100560.001	Plunger 2/2 water T30 (ACL)	
	10060608	ELECTROVALVE HOT WATER	
	34040183	Valve 2/2 24V T30 (Sirai)	
5	10046062	PIPE EXPANSION VALVE+BOILER COFFEE	
6	10042199	PIPE VALVE-BOILER COFFEE ZERO	
7	69200142	ELBOW CONNECTOR G1/4x4 PPSU	
8	69200139	ELBOW CONNECTOR 4 x G1/8 PPSU	
9	00054067	Check valve D. G 1/8	
10	27350014	COPPER GASKET 12.5X9.8X1.5	
11	00054064	THREADED MALE NIPPLE (USA)	
12	10701642	TEMPERATURE SENSOR WITH O-RING	
13	32331780	THERMOSTAT FIXING BRACKET	
	34200294	CLICSON THERMOSTAT 127 ONE	
14	23000274	CONNECTOR M1/4 X M1/4 GAS	
15	00044464	GASKET 16,5 X 13,2 X 1,5 COPPER	
	10060608	ELECTROVALVE HOT WATER	
	23000289	CLOSING PIN G1/4	
16	38228072	TEFLON HOSE FEP D. 4,0 X 2,5	
17	00004473	SILICON HOSE D. 14 X 9 MM	
18	00046806	Y UNIT D. 12 MM	
19	00045714	REDUCING T CONNECTOR D. 12 - 6 - 12 MM	
20	00004474	SILICON HOSE D. 8 X 5 MM	
21	10060009	Gasket holder with Viton gasket	
	10060479	EXPANSION VALVE 8 X G 3/8	
22	00050096	COFFEE SPOUT WITHOUT CHECKVALVE	
23	00054647	HOT WATER SPOUT BY SELF SERVICE	
24	69000244	PIPE PUMP MANOMETER	
25	35002509	Manometer Pumpe 0-16 D. 44	
26	00052557	SILICON HOSE D. 18 X 12 MM	
27	23000299	CAP G1/8 BOILER ONE/ZERO	
	27350014	COPPER GASKET 12.5X9.8X1.5	



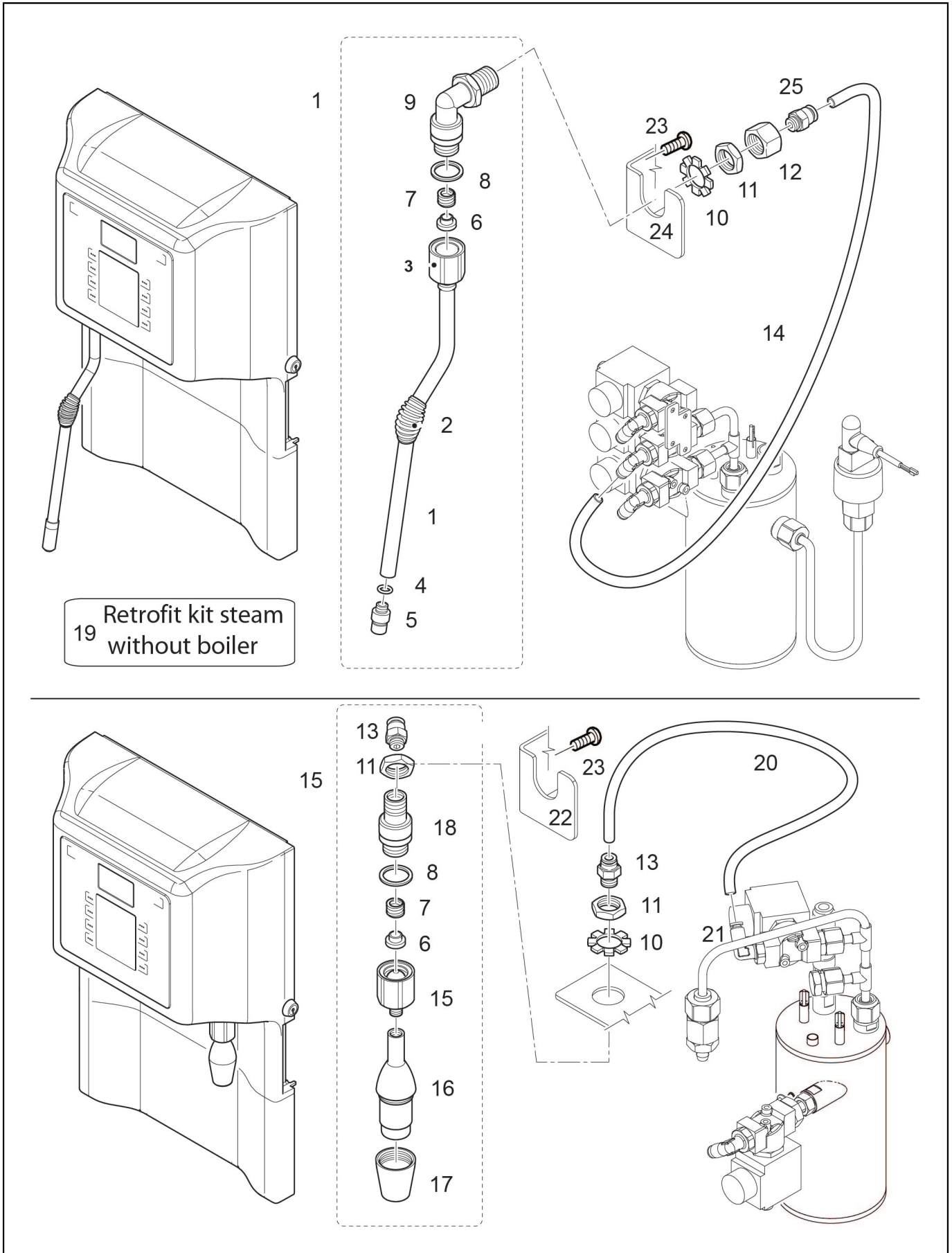
POS.	CODE	DESCRIPTION	NOTES
1	10110775	CABLAGGIO MOTORE-RESIST-GRUPPO ZERO	
2	10110777	Wiring Coffee boiler ZERO	firem boiler
	10110846	POWER CABLE 230V EGRO ZERO DHE	
	10110870	POWER CABLE 110V ZERO DHE	
3	10110778	STEAM BOILER CABLE EGRO ZERO	
	10110845	STEAM POWER CABLE 230V EGRO ZERO DHE	
4	10110846	POWER CABLE 230V EGRO ZERO DHE	
	10110870	POWER CABLE 110V ZERO DHE	
5	10110781	MICRO CABLE EGRO ZERO	
6	10110785	WIRING GRINDER EGRO ZERO	110V & 230V
7	10110780	POWDER UNIT CABLE EGRO ZERO	
	10110787	STEAM POWER WIRING ZERO	
	10110845	STEAM POWER CABLE 230V EGRO ZERO DHE	
	10110869	STEAM POWER CABLE 110V ZERO DHE	
8	10110774	WIRING SWITCHING ZERO	
9	10110784	CABLAGGIO ENCODER ZERO	
10	10110782	USB EXTENSION CABLE EGRO ZERO	
	10110784	CABLAGGIO ENCODER ZERO	
11	10120004	CABLE PRESSURE PROBE	
	34200288	PRESSURE SENSOR	
12	10110789	KEYBOARD WIRING	
13	10110779	MILK SYSTEM WIRING ZERO	
	10110820	WIRING EGRO ZERO NMS	
14	10110841	CABLE GRINDER FUSE 110V ZERO	
	10110842	GRINDER FUSE CABLE 230V EGRO ZERO	
15	10120010	CABLAGGIO 24V PUMP-ZERO PLUS	
16	10110771	WIRING MOTOR CPU POWDER MODULE	
	10110840	WIRING BYPASS ZERO	for bypass (Y20)retrofit connect to J8 / für Bypass nachrüstung anschliessen an J8
17	10110775	CABLAGGIO MOTORE-RESIST-GRUPPO ZERO	
18	10110780	POWDER UNIT CABLE EGRO ZERO	
21	10110001	FLAT CABLE PAY SYSTEM MACHINE 16 POLES	



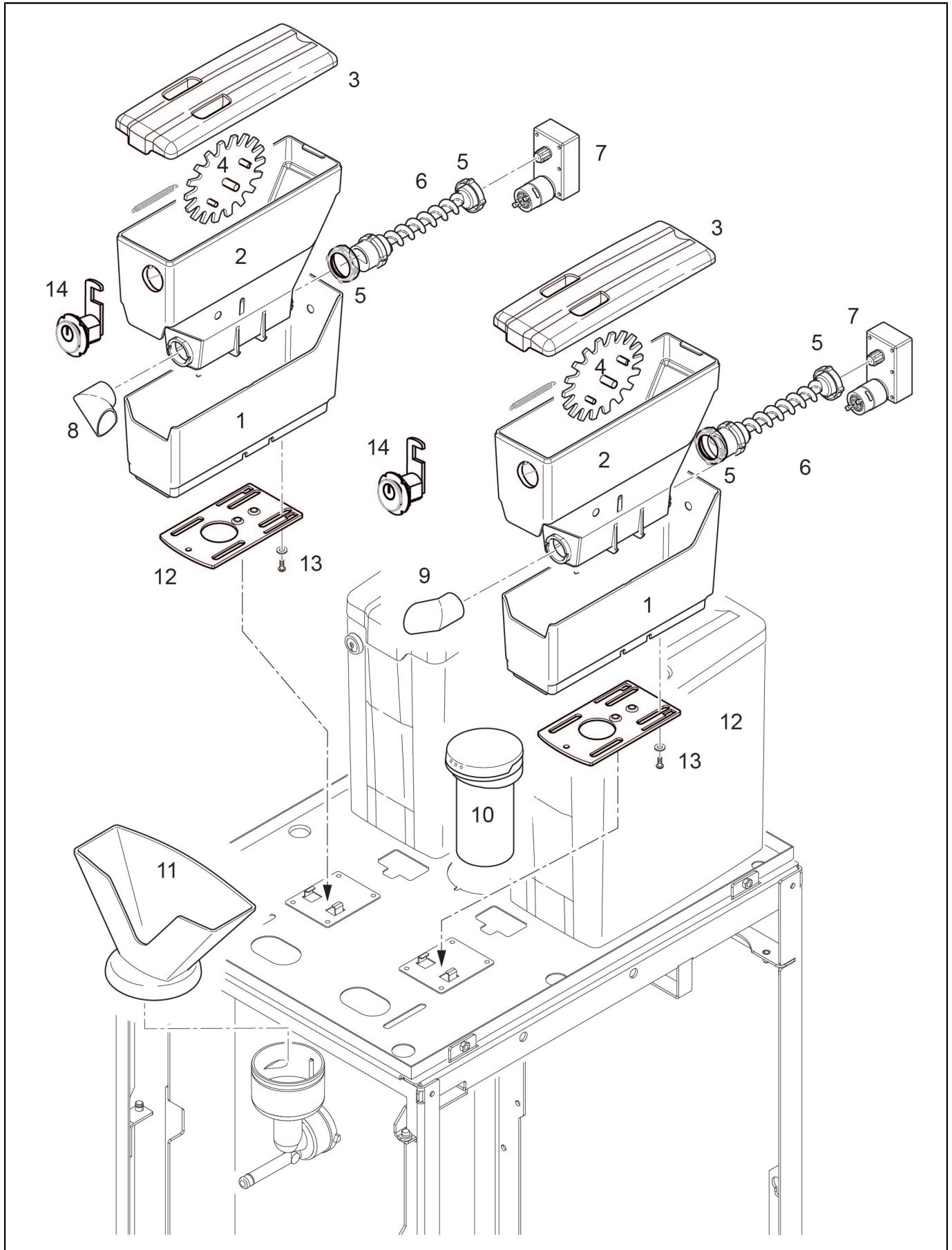
POS.	CODE	DESCRIPTION	NOTES
1	34030079	SWITCH BLACK 0-1	
	38120207	SWITCH BRACKET ZERO	
2	10110780	POWDER UNIT CABLE EGRO ZERO	
	10110781	MICRO CABLE EGRO ZERO	
	10110785	WIRING GRINDER EGRO ZERO	
	10110786	POWER WIRING ZERO	
	10110787	STEAM POWER WIRING ZERO	
3	10110775	CABLAGGIO MOTORE-RESIST-GRUPPO ZERO	
5	10701053	KIT TRIAC ZERO	
6	34150023	CLAMP 3 POL.	
7	10110774	WIRING SWITCHING ZERO	
	34070314	POWER SUPPLY 24V 100W	only for Zero and Zero NMS
8	10701052	CONTROL BOARD ZERO	
9	10110789	KEYBOARD WIRING	
2	10110782	USB EXTENSION CABLE EGRO ZERO	



POS.	CODE	DESCRIPTION	NOTES
1	00100064.001	MIXER KIT	
2	00100027.002	MIXER CAP	
3	10700226	LOWER PART FOAMER HEAD	
4	00100063.001	CONNECTOR AIRE	
5	00100062.002	STEAM CONNECTION	
6	00100028.001	REDUCTION JUNCTION	
	00100032.001	CONNECTOR MILK	
7	00100034.001	MIXER	
9	00056913	O-RING KIT FROTHER HEAD	
10	10701045	PINCH VALVE NMS METAL SPOUT	
	10701206	PINCH VALVE NMS PLASTIC SPOUT	
	34040123	PINCH VALVE SMALL 5.5MM	
11	00049209	SILICON HOSE D. 7,0 X 3,0 MM	
12	00050010.001	SILICON HOSE D. 6,0 X 3,0 MM	
13	38120128	RESTRICTION RING BIG BLACK	
14	10700005	REDUCTION KIT	
	23000196	SUCKING NOZZLE	
15	00100743.001	AIR PUMP	
	10705929	AIR PUMP QUICK MILK EGRO ZERO	
17	00048543	WASHER M4 INOX	
	00100771.408	CROSSED RAISED CHEESE HEAD SCREW L = 8MM	
18	69200132	CAP G1/8 AISI 316	
19	36230017	DUCKBILL VALVE	
20	38120106	VALVE INSERT DUCKBILL	
21	38120111	DUCKBILL BLOCK REDUCTION BLOCK ONE	
22	00000930	HEX SOCKET HEAD SCREW M5 X 25 MM	
23	10705949	AIR PUMP PINCH VALVE ZERO	
	38120105	ELECTROVALVE AIR	
24	69200134	STRAIGHT CONNECTOR G1/8 X 4	
25	00055974	DOUBLE PLUG-IN NIPPLE D. 4 MM	
26	38120127	RESTRICTION RING LITTLE WHITE	
27	00055455	PINCH VALVE BIG 7.9MM	
28	00060162	SILICON HOSE BLUE (KB) 50SHORE D. 7,0 X 4,0 MM	
29	38228005	SILICON TUBE D.6X4	



POS.	CODE	DESCRIPTION	NOTES
1	10701039	STEAM WAND ZERO ASSY.	
2	36990004	RUBBER FOR STEAM PIPES	
3	23000339	NUT CONNECTION WAND INOX	
4	36301050	O-RING 6.4X1.9	
5	23000115 25111006	STEAM SPRAYER SILVIA STEAM NOZZLE	
6	36930016	GASKET TEFLON CONNECTION STEAM WAND	
7	39110038	SPRING CONNECTION STEAM TAP	
8	36930017	TEFLON GASKET FOR STEAM WAND NUT	
9	20200113	HOT WATER CONNECTION BRASS	
10	37431600	OUTER TOOTHED WASHER D16	
11	26220005	FLAT NUT 3/8	
12	00100855.001	SLEEVE	
13	69200134	STRAIGHT CONNECTOR G1/8 X 4	
14	38228073	TEFLON HOSE FEP D. 6 X 4	
15	10701040 10701100 23000144 25128014 25128015	WATER WAND ZERO ASSY. WATER WAND ZERO ASSY. RIGHT EXTENSION INOX M10 X 23MM EXTENSION INOX M10 X 76MM EXTENTION INOX M10 X 59MM	
16	10049120	WATER WAND ZERO	
17	25135018	LOWER PART WATER SPRAYER	
18	20200113 23000300	HOT WATER CONNECTION BRASS WATER WAND RIGHT CONNECTION ZERO	
20	38228072	TEFLON HOSE FEP D. 4,0 X 2,5	
21	69200142	ELBOW CONNECTOR G1/4x4 PPSU	
22	32551281	BRACKET WATER SPOUT	
23	00001518 37040510	KEPS NUT M4 SCREWM5 X 10MM	
24	32551174	STEAM BRACKET ZERO	
25	69200135	STRAIGHT CONNECTOR G1/8 X 6	



POS.	CODE	DESCRIPTION	NOTES
	10700302	POWDER HOPPER LEFT EGRO ZERO	
1	10700324	POWDER HOPPER RIGHT EGRO ZERO	
	10701311	ASSIEME TRAMOGGIA POLVERI SX SELF ZERO	
	10701312	ASSIEME TRAMOGGIA POLVERI DX SELF ZERO	
	38120196	LOWER POWDER HOPPER ZERO	
2	38120195	POWDER HOPPER UPPER PART	
3	38120197	POWER HOPPER CAP ZERO	
4	38120247	POWDER HOPPER WHEEL	
5	38120130	FRONT FLANGE PM	
	38120131	REAR FLANGE POWDER MODULE	
	38120132	PLASTIC NUT POWDER HOPPER	
	38120133	PLASTIC NUT POWDER HOPPER	
6	38120198	FEEDER POWDER HOPPER	
7	34010010	POWDER HOPPER MOTOR 24V	
8	38120245	POWDER SLIDER RIGHT	
9	38120246	POWDER SLIDER LEFT	
10	00001062	RAISED CHEESE HEAD SCREW M3 X 6 MM	
	10700327	POWDER COFFEE INLET EXTENSION ZERO	
	10700354	ASSIEME ESTENSIONE INGR.DECA.F.ZERO	
	10701034	COFFEE/POWDER INLET ZERO ASSY.	
	37113507	SCREW ATF 3 X 6 TCB	
	69000337	LOCK 90 M15 X 17,5	
11	38120229	POWDER SLIDER EGRO ZERO	
12	32331491	BEAN HOPPER CLOSING SYSTEM LEFT	
	32331492	BEAN HOPPER CLOSING SYSTEM RIGHT	
13	23000318	BOCCOLA TRAMOGGIA POLVERI ZERO -OT-	
	37155011	SCREW ATF PT 4X10 TCB PH INOX	
	37411200	RONDELLA PIANA D.12X4,3X1 PA6,6	
14	10705530	LOCK 90 LEFT M15 X 17,5 WITH HOOK 25,5	

Code	No. table	Pos.	Code	No. table	Pos.	Code	No. table	Pos.
00000928	2001	21	00100136.001	2001	7	10700226	4000	3
00000930	2001	12	00100147.001	2000	3	10700302	Z5003	
00000930	4000	22	00100149.001	2000	3	10700303	1001	1
00000935	2001	40	00100248.002	2003	16	10700304	1001	1
00001062	Z5003	10	00100506.001	2001	9	10700305	2002	11
00001065	2002	14	00100559.001	2000	4	10700306	2002	11
00001176	2001	4	00100559.001	2005	4	10700307	2002	11
00001517	1001	7	00100560.001	2000	4	10700308	2002	11
00001518	5000	23	00100560.001	2005	4	10700309	1001	14
00001521	2001	24	00100743.001	4000	15	10700312	1001	1
00004473	2000	17	00100771.408	4000	17	10700313	1000	12
00004474	2000	20	00100855.001	5000	12	10700313	2002	9
00004474	2005	21	00100869.001	2005	8	10700314	1000	12
00017719	1001	7	10042103	2005	9	10700314	2002	9
00018843	2005	15	10042199	2000	6	10700315	1000	12
00039064	2001	8	10042200	2005	13	10700316	1000	12
00039067	2005	17	10046062	2000	5	10700317	1000	12
00040706	1001	7	10049120	5000	16	10700319	1001	1
00044464	2000	15	10054002	2001	37	10700320	2003	25
00044464	2003	10	10060009	2000	21	10700321	2003	32
00044824	2003	9	10060479	2000	21	10700322	2003	32
00045032	2001	18	10060607	2000	3	10700324	Z5003	1
00045682	2005	17	10060608	2000	15	10700325	2003	32
00045714	2000	19	10060608	2000	4	10700327	Z5003	10
00045715	2003	9	10110001	Z3001	21	10700353	2003	26
00046806	2000	18	10110771	Z3001	16	10700354	Z5003	10
00046844	1000	13	10110774	3000	7	10700356	2003	32
00046844	2001	28	10110774	Z3001	8	10701034	Z5003	10
00046844	2002	10	10110775	3000	3	10701035	1001	16
00047077	1001	8	10110775	Z3001	1	10701036	2001	36
00047078	1001	8	10110775	Z3001	17	10701037	2002	15
00048354	1001	7	10110777	Z3001	2	10701038	2002	15
00048543	4000	17	10110778	Z3001	3	10701039	5000	1
00048548	2001	13	10110779	Z3001	13	10701040	5000	15
00048550	2001	23	10110780	3000	2	10701045	4000	10
00048747	2001	30	10110780	Z3001	18	10701050	2001	11
00048923	2005	12	10110780	Z3001	7	10701051	2001	1
00049209	4000	11	10110781	3000	2	10701052	3000	8
00050010.001	4000	12	10110781	Z3001	5	10701053	3000	5
00050096	2000	22	10110782	3000	2	10701100	5000	15
00052557	2000	26	10110782	Z3001	10	10701145	1001	6
00052557	2005	18	10110784	Z3001	10	10701151	2003	32
00054064	2000	11	10110784	Z3001	9	10701206	4000	10
00054067	2000	9	10110785	3000	2	10701242	2000	1
00054647	2000	23	10110785	Z3001	6	10701243	2000	1
00054861	2001	6	10110786	3000	2	10701243	2005	1
00054944	1001	7	10110787	3000	2	10701274	1001	9
00055455	4000	27	10110787	Z3001	7	10701311	Z5003	1
00055483	1001	7	10110789	3000	9	10701312	Z5003	1
00055748	2005	23	10110789	Z3001	12	10701347	2002	1
00055795	2005	22	10110820	Z3001	13	10701642	2000	12
00055974	4000	25	10110840	Z3001	16	10705529	1000	7
00056913	4000	9	10110841	Z3001	14	10705529	1001	13
00057446	2001	41	10110842	Z3001	14	10705529	2002	4
00060116	2001	5	10110845	Z3001	3	10705530	Z5003	14
00060162	4000	28	10110845	Z3001	7	10705690	1001	2
00060283	2001	17	10110846	Z3001	2	10705698	1000	6
00060858	2001	27	10110846	Z3001	4	10705708	1000	6
00100016.005	2005	3	10110869	Z3001	7	10705750	1000	3
00100027.002	4000	2	10110870	Z3001	2	10705750	2003	23
00100028.001	4000	6	10110870	Z3001	4	10705755	2002	16
00100032.001	4000	6	10120004	Z3001	11	10705755	2002	16
00100034.001	4000	7	10120010	Z3001	15	10705755	2002	18
00100062.002	4000	5	10700005	4000	14	10705755	2002	18
00100063.001	4000	4	10700176	2001	3	10705929	4000	15
00100064.001	4000	1	10700177	2001	2	10705949	4000	23
00100116.005	2005	3	10700178	2001	33	10781312	1000	4

Code	No. table	Pos.
10880306	1000	14
10905151	1001	5
20200113	5000	18
20200113	5000	9
23000077	2005	8
23000094	2003	28
23000115	5000	5
23000144	5000	15
23000196	4000	14
23000223	1001	16
23000239	2005	16
23000242	2003	28
23000274	2000	14
23000289	2000	15
23000289	2005	10
23000299	2000	27
23000300	5000	18
23000306	1000	20
23000316	2005	14
23000318	Z5003	13
23000339	5000	3
23000377	2003	24
23000378	2003	5
24300010	2001	32
25111006	5000	5
25128014	5000	15
25128015	5000	15
25135018	5000	17
26220005	5000	11
27350014	2000	10
27350014	2000	27
27350014	2000	3
30001048	2001	19
32331407	1001	6
32331443	2001	20
32331489	1000	4
32331491	Z5003	12
32331492	Z5003	12
32331498	2001	14
32331780	2000	13
32331780	2005	6
32331910	2002	3
32551162A	1000	1
32551163A	1000	2
32551169	2003	12
32551174	5000	24
32551187	1001	12
32551190	1000	14
32551281	5000	22
32551291	1000	21
34010010	Z5003	7
34011023	2003	1
34011026	2003	1
34011029	2003	1
34020125	2001	35
34020128	2003	27
34020129	1000	3
34030079	3000	1
34040123	4000	10
34040125	2003	3
34040183	2000	4
34040183	2005	4
34040184	2000	3
34040184	2005	3
34070053	2003	9
34070314	3000	7
34150023	3000	6

Code	No. table	Pos.
34200044	2003	1
34200068	2005	5
34200071	2001	39
34200101	2005	6
34200212	1001	16
34200288	2005	7
34200288	Z3001	11
34200294	2000	13
35002509	2000	25
36230017	4000	19
36301050	5000	4
36322005	2003	14
36404059	1000	17
36901804	2003	21
36901957	2003	25
36930016	5000	6
36930017	5000	8
36930018	1001	16
36930101	1001	7
36930102	1001	7
36930110	2001	10
36930111	2001	22
36990004	5000	2
36990034	2002	7
36990037	1000	18
36990056	2003	4
36990057	2003	13
37030509	2003	15
37030509	2003	29
37040409	2001	26
37040409	2001	40
37040510	5000	23
37060306	2001	38
37113507	Z5003	10
37113508	2002	6
37113535	1001	10
37155011	2001	25
37155011	Z5003	13
37410300	2002	6
37411200	Z5003	13
37420300	2001	38
37431600	5000	10
37900115	1001	17
38120105	4000	23
38120106	4000	20
38120111	4000	21
38120115	2001	31
38120119	2001	30
38120120	2001	29
38120127	4000	26
38120128	4000	13
38120130	Z5003	5
38120131	Z5003	5
38120132	Z5003	5
38120133	Z5003	5
38120192	2002	2
38120193	1001	11
38120195	Z5003	2
38120196	Z5003	1
38120197	Z5003	3
38120198	Z5003	6
38120205	1000	9
38120207	3000	1
38120212	1000	22
38120213	1001	15
38120217	2002	8
38120223	2003	25

Code	No. table	Pos.
38120224	2003	25
38120229	Z5003	11
38120245	Z5003	8
38120246	Z5003	9
38120247	Z5003	4
38120253	1000	19
38120254	1000	19
38120591	1000	5
38121034	2005	24
38123568	1000	10
38123852	1000	11
38221020	1000	16
38228005	4000	29
38228072	2000	16
38228072	2001	15
38228072	2003	17
38228072	2003	7
38228072	5000	20
38228073	2003	22
38228073	5000	14
38228075	2005	19
39110026	2001	34
39110038	5000	7
39110062	1001	16
39110062	1001	18
39110085	2003	25
39920017	2002	13
45010208	1001	4
45010209	1000	15
69000244	2000	24
69000337	1000	8
69000337	1001	13
69000337	2002	5
69000337	Z5003	10
69000415	2000	2
69000415	2005	2
69111016	2003	25
69111017	2003	25
69140036	2002	12
69140039	2002	17
69200069	2003	2
69200095	2003	6
69200132	4000	18
69200133	2001	16
69200133	2003	6
69200134	4000	24
69200134	5000	13
69200135	5000	25
69200139	2000	8
69200139	2003	18
69200139	2003	8
69200139	2005	20
69200142	2000	7
69200142	2003	11
69200142	2005	11
69200142	5000	21
69200154	2003	20
69200175	2003	31
69200187	2003	19
69200187	2003	30

Contacts

HEADQUARTERS, PRODUCTION PLANT AND R&D CENTERS

Rancilio Group s.p.a.
Viale della Repubblica 40
20010 Villastanza di Parabiago
Milano - Italy
Tel +39 0331 408200
Fax +39 0331 551437
www.ranciliogroup.com
info@ranciliogroup.com

Egro Suisse AG
Bahnhofstrasse 66
5605 Dottikon - Switzerland
Tel. +41 (0)56 616 95 95
Fax +41 (0)56 616 95 97
www.egrocoffee.com
info@egrocoffee.com

WORLDWIDE BRANCH LOCATIONS

SPAIN

RancilioGroup Espana, s.a.
Gran Via de Carlos III, 84 3ª
Edificio Trade
08028 Barcelona - Spain
Ph. +34 902 884 275
Ph. +34 934 923 414
Fax +34 934 965 701
www.ranciliogroup.com
info-es@ranciliogroup.com

PORTUGAL

Rancilio Group Portugal Lda
Estrada da Falagueira nº 68 E
2700-365 Amadora-Lisboa - Portugal
Ph. + 351 21 019 10 91
Fax + 351 21 019 10 91

Rua Nova do Seixo 1282
4465-706 Leca do Balio-Porto - Portugal
Ph. + 351 22 010 14 19
Fax + 351 22 010 14 19
www.ranciliogroup.com
info-pt@ranciliogroup.com

GERMANY

Rancilio Group Deutschland GmbH
Talstrasse 27
97990 Weikersheim - Germany
Ph. +49 7934 99 29 30
Fax +49 7934 99 29 330
www.ranciliogroup.de
info-de@ranciliogroup.com

SWITZERLAND

Egro Suisse AG
Bahnhofstrasse 66
5605 Dottikon - Switzerland
Tel. +41 (0)56 616 95 95
Fax +41 (0)56 616 95 97
www.egrosuisse.ch
info@egrosuisse.ch

USA/CANADA

RancilioGroup North America Inc.
1340 Internationale Parkway / Suite
200
Woodridge, IL 60517 - U.S.A.
Ph: +1 630 914 7900
Fax: +1 630 914 7901
Toll Free: +1 877 726 2454
www.ranciliogroup.com
info@ranciliogroupna.com

